

# **ONVIF<sup>®</sup>**

# **Schedule Device Test Specification**

Version 20.06

June 2020

© 2020 ONVIF, Inc. All rights reserved.

Recipients of this document may copy, distribute, publish, or display this document so long as this copyright notice, license and disclaimer are retained with all copies of the document. No license is granted to modify this document.

THIS DOCUMENT IS PROVIDED "AS IS," AND THE CORPORATION AND ITS MEMBERS AND THEIR AFFILIATES, MAKE NO REPRESENTATIONS OR WARRANTIES, EXPRESS OR IMPLIED, INCLUDING BUT NOT LIMITED TO, WARRANTIES OF MERCHANTABILITY, FITNESS FOR A PARTICULAR PURPOSE, NON-INFRINGEMENT, OR TITLE; THAT THE CONTENTS OF THIS DOCUMENT ARE SUITABLE FOR ANY PURPOSE; OR THAT THE IMPLEMENTATION OF SUCH CONTENTS WILL NOT INFRINGE ANY PATENTS, COPYRIGHTS, TRADEMARKS OR OTHER RIGHTS.

IN NO EVENT WILL THE CORPORATION OR ITS MEMBERS OR THEIR AFFILIATES BE LIABLE FOR ANY DIRECT, INDIRECT, SPECIAL, INCIDENTAL, PUNITIVE OR CONSEQUENTIAL DAMAGES, ARISING OUT OF OR RELATING TO ANY USE OR DISTRIBUTION OF THIS DOCUMENT, WHETHER OR NOT (1) THE CORPORATION, MEMBERS OR THEIR AFFILIATES HAVE BEEN ADVISED OF THE POSSIBILITY OF SUCH DAMAGES, OR (2) SUCH DAMAGES WERE REASONABLY FORESEEABLE, AND ARISING OUT OF OR RELATING TO ANY USE OR DISTRIBUTION OF THIS DOCUMENT. THE FOREGOING DISCLAIMER AND LIMITATION ON LIABILITY DO NOT APPLY TO, INVALIDATE, OR LIMIT REPRESENTATIONS AND WARRANTIES MADE BY THE MEMBERS AND THEIR RESPECTIVE AFFILIATES TO THE CORPORATION AND OTHER MEMBERS IN CERTAIN WRITTEN POLICIES OF THE CORPORATION.

## REVISION HISTORY

Vers.	Date	Description
15.06		First issue of Schedule Test Specification
16.09	Sep, 2016	Annex A.7 was updated with changing of DTEND value
17.01	Nov, 2016	CREATE SCHEDULE - INVALID TIME RANGE INTERVAL: fault code was changed
17.06	Feb 21, 2017	CHANGE SCHEDULE STATE - CHANGE SPECIAL DAYS updated according to #1136  CREATE SCHEDULE - NOT EMPTY SCHEDULE TOKEN updated according to #1355  CREATE SPECIAL DAY GROUP - NOT EMPTY SPECIAL DAY GROUP TOKEN updated according to #1356
17.06	Mar 27, 2017	Current document name was changed from Schedule Test Specification to Schedule Device Test Specification.  The document formatting were updated.
18.06	Jun 21, 2018	Reformatting document using new template
18.12	Oct 1, 2018	The following were updated in the scope of #1714:  SCHEDULE-3-1-15 MODIFY SCHEDULE - INVALID TIME RANGE INTERVAL (expected fault updated to env:Sender\ter:InvalidArgVal)
18.12	Oct 9, 2018	The following were updated in the scope of #1670:  Scope\Schedule (updated with SetSchedule)  Scope\Special Day Group (updated with SetSpecialDayGroup)  Test Policy\Schedule (updated with SetSchedule)  Test Policy\Special Day Group (updated with SetSpecialDayGroup)  SCHEDULE-3-1-17 SET NEW SCHEDULE (added)  SCHEDULE-3-1-18 SET SCHEDULE (added)  SCHEDULE-5-1-13 SET NEW SPECIAL DAY GROUP (added)  SCHEDULE-5-1-14 SET SPECIAL DAY GROUP (added)
18.12	Dec 21, 2018	Switching Hub description in 'Network Configuration for DUT' section was added according to #1737
20.06	May 13, 2020	Pre-Requisite of the following test cases updated with adding of Pull-Point Notification feature according to #1999:  SCHEDULE-3-1-5 CREATE SCHEDULE  SCHEDULE-3-1-6 MODIFY SCHEDULE  SCHEDULE-3-1-7 DELETE SCHEDULE  SCHEDULE-3-1-17 SET NEW SCHEDULE

		<p>SCHEDULE-3-1-18 SET SCHEDULE</p> <p>SCHEDULE-5-1-5 CREATE SPECIAL DAY GROUP</p> <p>SCHEDULE-5-1-6 MODIFY SPECIAL DAY GROUP</p> <p>SCHEDULE-5-1-7 DELETE SPECIAL DAY GROUP</p> <p>SCHEDULE-5-1-13 SET NEW SPECIAL DAY GROUP</p> <p>SCHEDULE-5-1-14 SET SPECIAL DAY GROUP</p> <p>SCHEDULE-6-1-2 CHANGE SCHEDULE STATE - CHANGE STANDARD</p> <p>SCHEDULE-6-1-3 CHANGE SCHEDULE STATE - CHANGE SPECIAL DAYS</p> <p>SCHEDULE-7-1-1 SCHEDULE STATE ACTIVE EVENT (PROPERTY EVENT)</p>
20.06	May 18, 2020	<p>Pre-Requisite of the following test cases updated with adding of Event Service according to #1999:</p> <p>SCHEDULE-7-1-2 SCHEDULE CHANGED EVENT</p> <p>SCHEDULE-7-1-3 SCHEDULE REMOVED EVENT</p> <p>SCHEDULE-7-1-4 SPECIAL DAYS CHANGED EVENT</p> <p>SCHEDULE-7-1-5 SPECIAL DAYS REMOVED EVENT</p>

**Table of Contents**

**1 Introduction ..... 9**

    1.1 Scope ..... 9

        1.1.1 Capabilities ..... 10

        1.1.2 Schedule Info ..... 10

        1.1.3 Schedule ..... 10

        1.1.4 Special Day Group Info ..... 10

        1.1.5 Special Day Group ..... 11

        1.1.6 Schedule States ..... 11

        1.1.7 Schedule Events ..... 11

        1.1.8 Consistency ..... 12

**2 Normative references ..... 13**

**3 Terms and Definitions ..... 15**

    3.1 Conventions ..... 15

    3.2 Definitions ..... 15

    3.3 Abbreviations ..... 15

**4 Test Overview ..... 16**

    4.1 Test Setup ..... 16

        4.1.1 Network Configuration for DUT ..... 16

    4.2 Prerequisites ..... 17

    4.3 Test Policy ..... 17

        4.3.1 Capabilities ..... 17

        4.3.2 Schedule Info ..... 18

        4.3.3 Schedule ..... 19

        4.3.4 Special Day Group Info ..... 21

        4.3.5 Special Day Group ..... 22

        4.3.6 Schedule State ..... 25

        4.3.7 Schedule Events ..... 25

        4.3.8 Consistency ..... 26

**5 Schedule Test Cases ..... 28**

    5.1 Capabilities ..... 28

5.1.1	SCHEDULE SERVICE CAPABILITIES .....	28
5.1.2	GET SERVICES AND GET SCHEDULE SERVICE CAPABILITIES CONSISTENCY .....	28
5.2	Schedule Info .....	30
5.2.1	GET SCHEDULE INFO .....	30
5.2.2	GET SCHEDULE INFO LIST - LIMIT .....	32
5.2.3	GET SCHEDULE INFO LIST - START REFERENCE AND LIMIT .....	34
5.2.4	GET SCHEDULE INFO LIST - NO LIMIT .....	38
5.2.5	GET SCHEDULE INFO WITH INVALID TOKEN .....	39
5.2.6	GET SCHEDULE INFO - TOO MANY ITEMS .....	41
5.3	Schedule .....	42
5.3.1	GET SCHEDULES .....	42
5.3.2	GET SCHEDULE LIST - LIMIT .....	44
5.3.3	GET SCHEDULE LIST - START REFERENCE AND LIMIT .....	46
5.3.4	GET SCHEDULE LIST - NO LIMIT .....	51
5.3.5	CREATE SCHEDULE .....	53
5.3.6	MODIFY SCHEDULE .....	57
5.3.7	DELETE SCHEDULE .....	61
5.3.8	GET SCHEDULES WITH INVALID TOKEN .....	64
5.3.9	GET SCHEDULE - TOO MANY ITEMS .....	65
5.3.10	CREATE SCHEDULE - NOT EMPTY SCHEDULE TOKEN .....	66
5.3.11	CREATE SCHEDULE - TOO MANY TIME PERIODS PER DAY .....	68
5.3.12	CREATE SCHEDULE - INVALID TIME RANGE INTERVAL .....	70
5.3.13	MODIFY SCHEDULE WITH INVALID TOKEN .....	71
5.3.14	MODIFY SCHEDULE - TOO MANY TIME PERIODS PER DAY .....	72
5.3.15	MODIFY SCHEDULE - INVALID TIME RANGE INTERVAL .....	75
5.3.16	DELETE SCHEDULE WITH INVALID TOKEN .....	76
5.3.17	SET NEW SCHEDULE .....	77
5.3.18	SET SCHEDULE .....	82
5.4	Special Day Group Info .....	86
5.4.1	GET SPECIAL DAY GROUP INFO .....	86

- 5.4.2 GET SPECIAL DAY GROUP INFO LIST - LIMIT ..... 88
- 5.4.3 GET SPECIAL DAY GROUP INFO LIST - START REFERENCE AND  
LIMIT ..... 89
- 5.4.4 GET SPECIAL DAY GROUP INFO LIST - NO LIMIT ..... 93
- 5.4.5 GET SPECIAL DAY GROUP INFO WITH INVALID TOKEN ..... 95
- 5.4.6 GET SPECIAL DAY GROUP INFO - TOO MANY ITEMS ..... 96
- 5.5 Special Day Group ..... 98
  - 5.5.1 GET SPECIAL DAY GROUPS ..... 98
  - 5.5.2 GET SPECIAL DAY GROUP LIST - LIMIT ..... 100
  - 5.5.3 GET SPECIAL DAY GROUP LIST - START REFERENCE AND LIMIT ..... 101
  - 5.5.4 GET SPECIAL DAY GROUP LIST - NO LIMIT ..... 107
  - 5.5.5 CREATE SPECIAL DAY GROUP ..... 109
  - 5.5.6 MODIFY SPECIAL DAY GROUP ..... 113
  - 5.5.7 DELETE SPECIAL DAY GROUP ..... 116
  - 5.5.8 GET SPECIAL DAY GROUPS WITH INVALID TOKEN ..... 119
  - 5.5.9 GET SPECIAL DAY GROUPS - TOO MANY ITEMS ..... 121
  - 5.5.10 CREATE SPECIAL DAY GROUP - NOT EMPTY SPECIAL DAY GROUP  
TOKEN ..... 122
  - 5.5.11 MODIFY SPECIAL DAY GROUP WITH INVALID TOKEN ..... 123
  - 5.5.12 DELETE SPECIAL DAY GROUP WITH INVALID TOKEN ..... 125
  - 5.5.13 SET NEW SPECIAL DAY GROUP ..... 126
  - 5.5.14 SET SPECIAL DAY GROUP ..... 130
- 5.6 Schedule State ..... 133
  - 5.6.1 GET SCHEDULE STATE ..... 133
  - 5.6.2 CHANGE SCHEDULE STATE - CHANGE STANDARD ..... 134
  - 5.6.3 CHANGE SCHEDULE STATE - CHANGE SPECIAL DAYS ..... 138
  - 5.6.4 GET SCHEDULE STATE WITH INVALID TOKEN ..... 143
- 5.7 Schedule Events ..... 144
  - 5.7.1 SCHEDULE STATE ACTIVE EVENT (PROPERTY EVENT) ..... 144
  - 5.7.2 SCHEDULE CHANGED EVENT ..... 148
  - 5.7.3 SCHEDULE REMOVED EVENT ..... 149

5.7.4	SPECIAL DAYS CHANGED EVENT .....	151
5.7.5	SPECIAL DAYS REMOVED EVENT .....	152
5.8	Consistency .....	153
5.8.1	GET SCHEDULE AND GET SPECIAL DAY GROUP INFO LIST CONSISTENCY .....	153
<b>A</b>	<b>Helper Procedures and Additional Notes .....</b>	<b>155</b>
A.1	Get schedules information list .....	155
A.2	Get service capabilities .....	156
A.3	Get schedules list .....	156
A.4	Get special day group information list .....	157
A.5	Get special day group list .....	159
A.6	Generate UID value for iCalendar .....	160
A.7	Generate iCalendar value for Schedule .....	160
A.8	Create special day group .....	161
A.9	Get schedule .....	163
A.10	Get schedule info .....	163
A.11	Delete schedule .....	164
A.12	Delete special day group .....	165
A.13	Create Schedule .....	165
A.14	Get special day group .....	166
A.15	Get special day group info .....	167
A.16	Generate iCalenrad value for Special Day Group with required Special Day state .....	168
A.17	Generate iCalendar value for Schedule with required number of time periods per day .....	169
A.18	Create Pull Point Subscription .....	172
A.19	Delete Subscription .....	173
A.20	Retrieve Schedule Changed Event by PullPoint .....	173
A.21	Retrieve Special Days Changed Event by PullPoint .....	174



# 1 Introduction

The goal of the ONVIF test specification set is to make it possible to realize fully interoperable IP physical security implementation from different vendors. The set of ONVIF test specification describes the test cases need to verify the [ONVIF Network Interface Specs] and [ONVIF Conformance] requirements. In addition, the test cases are to be basic inputs for some Profile specification requirements. It also describes the test framework, test setup, pre-requisites, test policies needed for the execution of the described test cases.

This ONVIF Schedule Test Specification acts as a supplementary document to the [ONVIF Network Interface Specs], illustrating test cases need to be executed and passed. In addition, this specification acts as an input document to the development of test tool that will be used to test the ONVIF device implementation conformance towards ONVIF standard. This test tool is referred as ONVIF Client hereafter.

## 1.1 Scope

This ONVIF Schedule Test Specification defines and regulates the conformance testing procedure for the ONVIF conformant devices. Conformance testing is meant to be functional black-box testing. The objective of this specification is to provide test cases to test individual requirements of ONVIF devices according to the ONVIF Schedule Service, which is defined in [ONVIF Schedule Service].

The principal intended purposes are:

1. Provide self-assessment tool for implementations.
2. Provide comprehensive test suite coverage for [ONVIF Network Interface Specs].

This specification **does not** address the following:

1. Product use cases and non-functional (performance and regression) testing.
2. SOAP Implementation Interoperability test i.e. Web Services Interoperability Basic Profile version 2.0 (WS-I BP2.0).
3. Network protocol implementation Conformance test for HTTPS, HTTP, RTP and RTSP protocols.
4. Wi-Fi Conformance test

The set of ONVIF Test Specification will not cover the complete set of requirements as defined in [ONVIF Network Interface Specs]; instead it will cover its subset.

This ONVIF Schedule Test Specification covers the ONVIF Schedule Service, which is a functional block of [ONVIF Network Interface Specs]. The following section gives a brief overview of each functional block and its scope.

## 1.1.1 Capabilities

The Capabilities section covers the test cases needed for getting capabilities from an ONVIF device.

The scope of this specification section is to cover the following functions:

- Getting Schedule service address with GetServices command via Device service
- Getting capabilities with GetServiceCapabilities command
- Getting capabilities with GetServices command via Device service

## 1.1.2 Schedule Info

The Schedule Info section covers the test cases needed for getting schedule list and information from an ONVIF device.

The scope of this specification section is to cover the following functions:

- Getting Schedule service address with GetServices command via Device service
- Getting capabilities with GetServiceCapabilities command
- Getting capabilities with GetServices command via Device service

## 1.1.3 Schedule

The Schedule section covers the test cases needed for getting schedule from an ONVIF device.

The scope of this specification section is to cover the following functions:

- Getting schedule with GetSchedules command
- Getting schedule list with GetScheduleList command
- Creating schedule with CreateSchedule command
- Modifying schedule with ModifySchedule command
- Deleting schedule with DeleteSchedule command
- Creating and modifying schedule with SetSchedule command

## 1.1.4 Special Day Group Info

The Special Day Group Info section covers the test cases needed for getting Special Day Group list and information from an ONVIF device.

The scope of this specification section is to cover the following functions:

- Getting SpecialDayGroup information with GetSpecialDayGroupInfo command
- Getting SpecialDayGroup information list with GetSpecialDayGroupInfoList command

## 1.1.5 Special Day Group

The Special Day Group section covers the test cases needed for getting Special Day Group from an ONVIF device.

The scope of this specification section is to cover the following functions:

- Getting special day group with GetSpecialDayGroups command
- Getting special day group list with GetSpecialDayGroupList command
- Creating special day group with CreateSpecialDayGroup command
- Modifying special day group with ModifySpecialDayGroup command
- Deleting special day group with DeleteSpecialDayGroup command
- Creating and modifying special day group with SetSpecialDayGroup command

## 1.1.6 Schedule States

The Schedule States section covers the test cases needed for getting schedule states from an ONVIF device.

The scope of this specification section is to cover the following functions:

- Getting schedule states with GetScheduleStates command
- Changing schedule states

## 1.1.7 Schedule Events

The Schedule Events section covers the test cases needed for for checking specified events format.

The scope of this specification section is to cover the following functions:

- Getting event properties with GetEventProperties command
- Changing schedule states

## 1.1.8 Consistency

Consistency test cases cover verification of consistency between different entities and commands.

Consistency between the following entities is covered by the following test case:

- Schedule and Special Day Info

## 2 Normative references

- [ONVIF Conformance] ONVIF Conformance Process Specification:  
<https://www.onvif.org/profiles/conformance/>
- [ONVIF Profile Policy] ONVIF Profile Policy:  
<https://www.onvif.org/profiles/>
- [ONVIF Network Interface Specs] ONVIF Network Interface Specification documents:  
<https://www.onvif.org/profiles/specifications/>
- [ONVIF Core Specs] ONVIF Core Specification:  
<https://www.onvif.org/profiles/specifications/>
- [ONVIF Schedule Spec] ONVIF Schedule Specification:  
<https://www.onvif.org/profiles/specifications/>
- [ONVIF Base Test] ONVIF Base Device Test Specification:  
<https://www.onvif.org/profiles/conformance/device-test/>
- [ISO/IEC Directives, Part 2] ISO/IEC Directives, Part 2, Annex H:  
<http://www.iso.org/directives>
- [ISO 16484-5] ISO 16484-5:2014-09 Annex P:  
<https://www.iso.org/obp/ui/#iso:std:63753:en>
- [SOAP 1.2, Part 1] W3C SOAP 1.2, Part 1, Messaging Framework:  
<http://www.w3.org/TR/soap12-part1/>
- [XML-Schema, Part 1] W3C XML Schema Part 1: Structures Second Edition:  
<http://www.w3.org/TR/xmlschema-1/>
- [XML-Schema, Part 2] W3C XML Schema Part 2: Datatypes Second Edition:  
<http://www.w3.org/TR/xmlschema-2/>
- [WS-Security] "Web Services Security: SOAP Message Security 1.1 (WS-Security 2004)", OASIS Standard, February 2006.:

<http://www.oasis-open.org/committees/download.php/16790/wss-v1.1-spec-os-SOAPMessageSecurity.pdf>

- [RFC 2445] "Internet Calendaring and Scheduling Core Object Specification (iCalendar)", F. Dawson, D. Stenerson, November 1998.:

<https://www.ietf.org/rfc/rfc2445.txt>

## 3 Terms and Definitions

### 3.1 Conventions

The key words "shall", "shall not", "should", "should not", "may", "need not", "can", "cannot" in this specification are to be interpreted as described in [ISO/IEC Directives Part 2].

### 3.2 Definitions

This section defines terms that are specific to the ONVIF Schedule Service and tests. For a list of applicable general terms and definitions, please see [ONVIF Base Test].

<b>iCalendar</b>	An industry standard format for exchanging scheduling and activity-recording information electronically.
<b>Schedule</b>	A set of time periods, e.g. working hours (weekdays from 8 AM to 6 PM). It may also include one or more Special Days Schedules.
<b>Special Days</b>	A set of dates that require the regular Schedule to be overridden, e.g. holidays, half-days or working Sundays.
<b>Special Days Schedule</b>	A schedule that defines time periods for a Special Day List.
<b>Time Period</b>	A time period has a start time and an end time, e.g. 8 AM to 6 PM.
<b>vEvent</b>	A component in iCalendar, specifying the properties of an event.

### 3.3 Abbreviations

This section describes abbreviations used in this document.

<b>DUT</b>	Device Under Test
<b>HTTP</b>	Hypertext Transfer Protocol
<b>PACS</b>	Physical Access Control System

## 4 Test Overview

This section provides information the test setup procedure and required prerequisites, and the test policies that should be followed for test case execution.

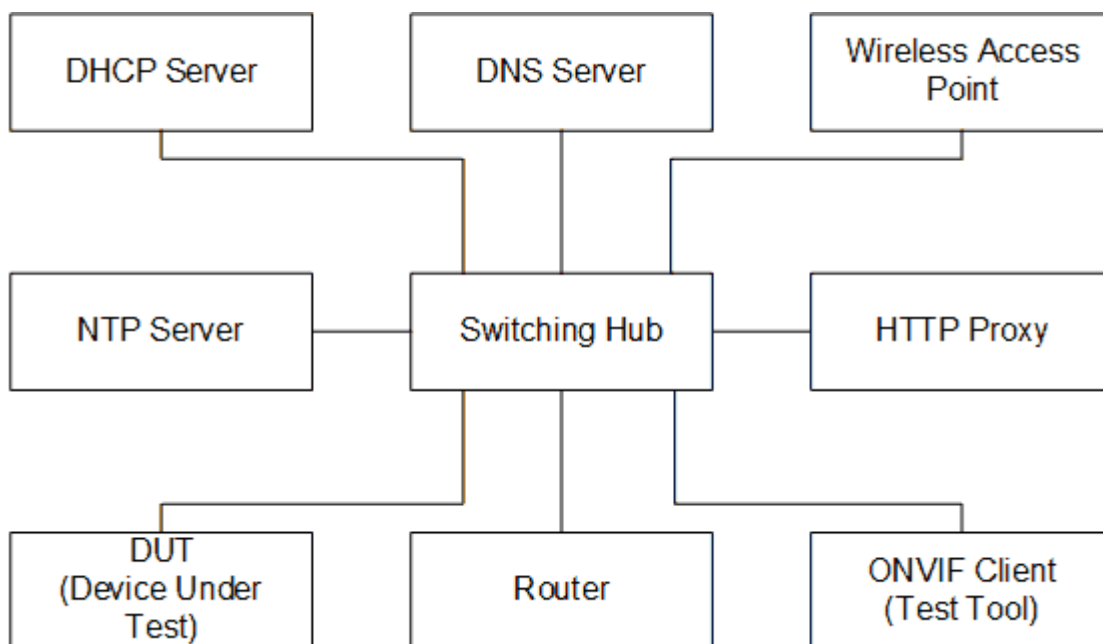
### 4.1 Test Setup

#### 4.1.1 Network Configuration for DUT

The generic test configuration for the execution of test cases defined in this document is as shown below (Figure 4.1).

Based on the individual test case requirements, some of the entities in the below setup may not be needed for the execution of those corresponding test cases.

**Figure 4.1. Test Configuration for DUT**



**DUT:** ONVIF device to be tested. Hereafter, this is referred to as DUT (Device Under Test).

**ONVIF Client (Test Tool):** Tests are executed by this system and it controls the behavior of the DUT. It handles both expected and unexpected behavior.

**HTTP Proxy:** provides facilitation in case of RTP and RTSP tunneling over HTTP.

**Wireless Access Point:** provides wireless connectivity to the devices that support wireless connection.



**DNS Server:** provides DNS related information to the connected devices.

**DHCP Server:** provides IPv4 Address to the connected devices.

**NTP Server:** provides time synchronization between ONVIF Client and DUT.

**Switching Hub:** provides network connectivity among all the test equipments in the test environment. All devices should be connected to the Switching Hub. When running multiple test instances in parallel on the same network, the Switching Hub should be configured to use filtering in order to avoid multicast traffic being flooded to all ports, because this may affect test stability.

**Router:** provides router advertisements for IPv6 configuration.

## 4.2 Prerequisites

The pre-requisites for executing the test cases described in this Test Specification are:

- The DUT shall be configured with an IPv4 address.
- The DUT shall be IP reachable in the test configuration.
- The DUT shall be able to be discovered by the Test Tool.
- The DUT shall be configured with the time, i.e. manual configuration of UTC time and if NTP is supported by DUT, then NTP time shall be synchronized with NTP Server.

## 4.3 Test Policy

This section describes the test policies specific to the test case execution of each functional block.

The DUT shall adhere to the test policies defined in this section.

### 4.3.1 Capabilities

The test policies specific to the test case execution of Capabilities functional block:

- DUT shall give the Schedule Service entry point by GetServices command, if DUT supports this service. Otherwise, these test cases will be skipped.
- DUT shall support the following commands:
  - GetServices
  - GetServiceCapabilities

- The following tests are performed
  - Getting capabilities with GetServiceCapabilities command
  - Getting capabilities with GetServices command

Please refer to [Section 5.1](#) for abilities Test Cases.

## 4.3.2 Schedule Info

The test policies specific to the test case execution of Schedule Info functional block:

- DUT shall give the Schedule Service entry point by GetServices command, if DUT supports this service. Otherwise, these test cases will be skipped.
- DUT shall support the following commands:
  - GetServices
  - GetServiceCapabilities
  - GetScheduleInfo
  - GetScheduleInfoList
- DUT shall not return more items in GetScheduleInfo and GetScheduleInfoList responses than specified in service capabilities by MaxLimit.
- DUT shall not return more items in GetScheduleInfoList response than specified by Limit parameter in a request.
- DUT shall not return items with the same tokens in GetScheduleInfoList responses for one schedule info list resieving.
- DUT shall not return more ScheduleInfo items in GetScheduleInfoList responses than specified in service capabilities by MaxSchedules.
- DUT shall not return any fault if GetScheduleInfo was invoked for non-exciting Schedule token. Such tokens shall be ignored.
- DUT shall return SOAP 1.2 fault message (InvalidArgs/TooManyItems) if more items than MaxLimit was requested by GetScheduleInfo command.
- The following tests are performed
  - Getting schedule info with GetScheduleInfo command

- Getting schedule info list with GetScheduleInfoList command with using different Limit and NextReference values
- Getting schedule info with invalid schedule token
- Getting schedule info with number of requested items is greater than MaxLimit

Please refer to [Section 5.2](#) for Schedule Info Test Cases.

### 4.3.3 Schedule

The test policies specific to the test case execution of Schedule functional block:

- DUT shall give the Schedule Service entry point by GetServices command, if DUT supports this service. Otherwise, these test cases will be skipped.
- DUT shall support the following commands:
  - GetSchedules
  - GetScheduleList
  - GetScheduleInfoList
  - CreateSchedule
  - ModifySchedule
  - DeleteSchedule
- If DUT supports Client Supplied Token as indicated by Capabilities.ClientSuppliedTokenSupported = true, DUT shall support the following commands:
  - SetSchedule
- DUT shall return only requested items in GetSchedules response that specified in GetSchedules request.
- DUT shall return all requested items in GetSchedules response that specified in GetSchedules request.
- DUT shall not return more items in GetSchedules responses than specified in service capabilities by MaxLimit.
- DUT shall return the same information in GetSchedules responses and in GetScheduleInfoList responses for the items with the same token.

- DUT shall not return more items in GetScheduleList response than specified by Limit parameter in a request.
- DUT shall not return items with the same tokens in GetScheduleList responses for one schedule list resieving.
- DUT shall return the same information in GetSchedules responses and in GetScheduleList responses for the items with the same token.
- DUT shall return the same information in GetScheduleList responses and in GetScheduleInfoList responses for the items with the same token.
- DUT shall return the schedules in GetScheduleList responses and in GetScheduleInfoList responses.
- DUT shall return SOAP 1.2 fault message (InvalidArgs/TooManyItems) if more items than MaxLimit was requested by GetSchedules command.
- The DUT shall support creating of schedule using CreateSchedule command.
- The DUT shall support modifying of schedule using ModifySchedule command.
- The DUT shall support deleting of schedule.
- If DUT supports Client Supplied Token as indicated by Capabilities.ClientSuppliedTokenSupported = true, creating and modifying of schedule using SetSchedule command.
- DUT shall return SOAP 1.2 fault message (InvalidArgs) if schedule token is specified in CreateSchedule request.
- DUT should return SOAP 1.2 fault message (InvalidArgVal/NotFound) if ModifySchedule or DeleteSchedule command was invoked for non-existing schedule token.
- The following tests are performed
  - Getting schedule with GetSchedule command and test that it includes the same information with GetScheduleInfoList command
  - Getting schedule info list with GetScheduleList command with using different Limit and NextReference values and test that it includes the same information with GetScheduleInfoList command
  - Creating schedule with CreateSchedule command with empty token and test that corresponding notification message is received

- Modifying schedule with ModifySchedule command and test that corresponding notification message is received
- Deleting schedule with DeleteSchedule command and test that corresponding notification message is received
- Getting schedules with invalid schedule token
- Getting schedules with number of requested items is greater than MaxLimit
- Creating schedule with CreateSchedule command with specified token
- Modifying schedule with ModifySchedule command with invalid token
- Deleting schedule with DeleteSchedule command with invalid token
- If DUT supports Client Supplied Token as indicated by Capabilities.ClientSuppliedTokenSupported = true:
  - Creating schedule with SetSchedule command with empty token and test that corresponding notification message is received
  - Modifying schedule with SetSchedule command and test that corresponding notification message is received

Please refer to [Section 5.3](#) for Schedule Test Cases.

#### 4.3.4 Special Day Group Info

The test policies specific to the test case execution of SpecialDayGroup Info Info functional block:

- DUT shall give the Schedule Service entry point by GetServices command, if DUT supports this service. Otherwise, these test cases will be skipped.
- DUT shall support the following commands:
  - GetServices
  - GetServiceCapabilities
- If DUT supports Special Days as indicated by the Capabilities.SpecialDaysSupported, then DUT shall support the following commands:
  - GetSpecialDayGroupInfo
  - GetSpecialDayGroupInfoList

- DUT shall not return more items in GetSpecialDayGroupInfo and GetSpecialDayGroupInfoList responses than specified in service capabilities by MaxLimit.
- DUT shall not return more items in GetSpecialDayGroupInfoList response than specified by Limit parameter in a request.
- DUT shall not return items with the same tokens in GetSpecialDayGroupInfoList responses for one special day group info list resieving.
- DUT shall not return more SpecialDayGroupInfo items in GetSpecialDayGroupInfoList responses than specified in service capabilities by MaxSpecialDayGroups.
- DUT shall not return any fault if GetSpecialDayGroupInfo was invoked for non-exciting SpecialDayGroup token. Such tokens shall be ignored.
- DUT shall return SOAP 1.2 fault message (InvalidArgs/TooManyItems) if more items than MaxLimit was requested by GetSpecialDayGroupInfo command.
- The following tests are performed if DUT supports Special Days:
  - Getting special day group info with GetSpecialDayGroupInfo command
  - Getting special day group info list with GetSpecialDayGroupInfoList command with using different Limit and NextReference values
  - Getting special day group info with invalid special day group token
  - Getting special day group info with number of requested items is greater than MaxLimit

Please refer to [Section 5.4](#) for Special Day Group Info Test Cases.

### 4.3.5 Special Day Group

The test policies specific to the test case execution of Special Day Group functional block:

- DUT shall give the Schedule Service entry point by GetServices command, if DUT supports this service. Otherwise, these test cases will be skipped.
- DUT shall support the following commands:
  - GetServices
  - GetServiceCapabilities
- If DUT supports Special Days as indicated by the Capabilities.SpecialDaysSupported, then DUT shall support the following commands:
  - GetSpecialDayGroups

- GetSpecialDayGroupList
- GetSpecialDayGroupInfoList
- CreateSpecialDayGroup
- ModifySpecialDayGroup
- DeleteSpecialDayGroup
- If DUT supports Client Supplied Token as indicated by Capabilities.ClientSuppliedTokenSupported = true, the DUT shall support the following commands:
  - SetSpecialDayGroup
- DUT shall return only requested items in GetSpecialDayGroups response that specified in GetSpecialDayGroups request.
- DUT shall return all requested items in GetSpecialDayGroups response that specified in GetSpecialDayGroups request.
- DUT shall not return more items in GetSpecialDayGroups responses than specified in service capabilities by MaxLimit.
- DUT shall return the same information in GetSpecialDayGroups responses and in GetSpecialDayGroupInfoList responses for the items with the same token.
- DUT shall not return more items in GetSpecialDayGroupList response than specified by Limit parameter in a request.
- DUT shall not return items with the same tokens in GetSpecialDayGroupList responses for one special day group list resieving.
- DUT shall return the same information in GetSpecialDayGroups responses and in GetSpecialDayGroupList responses for the items with the same token.
- DUT shall return the same information in GetSpecialDayGroupList responses and in GetSpecialDayGroupInfoList responses for the items with the same token.
- DUT shall return the special day groups in GetSpecialDayGroupList responses and in GetSpecialDayGroupInfoList responses.
- The DUT shall support creating of special day group.
- The DUT shall support modifying of special day group.

- The DUT shall support deleting of special day group.
- If DUT supports Client Supplied Token as indicated by Capabilities.ClientSuppliedTokenSupported = true, the DUT shall support creating and modifying of special day group using SetSpecialDayGroup command.
- DUT shall return SOAP 1.2 fault message (InvalidArgs) if special day group token is specified in CreateSpecialDayGroup request.
- DUT should return SOAP 1.2 fault message (InvalidArgVal/NotFound) if ModifySpecialDayGroup or DeleteSpecialDayGroup command was invoked for non-existing special day group token.
- The following tests are performed if DUT supports Special Days:
  - Getting special day group with GetSpecialDayGroups command and test that it includes the same information with GetSpecialDayGroupInfoList command
  - Getting special day group info list with GetSpecialDayGroupList command with using different Limit and NextReference values and test that it includes the same information with GetSpecialDayGroupInfoList command
  - Creating special day group with CreateSpecialDayGroup command with empty token and test that corresponding notification message is received
  - Modifying special day group with ModifySpecialDayGroup command and test that corresponding notification message is received
  - Deleting special day group with DeleteSpecialDayGroup command and test that corresponding notification message is received
  - Getting special day groups with invalid special day group token
  - Getting special day groups with number of requested items is greater than MaxLimit
  - Creating special day group with CreateSpecialDayGroup command with specified token
  - Modifying special day group with ModifySpecialDayGroup command with invalid token
  - Deleting special day group with DeleteSpecialDayGroup command with invalid token
- If DUT supports Client Supplied Token as indicated by Capabilities.ClientSuppliedTokenSupported = true:
  - Creating special day group with SetSpecialDayGroup command with empty token and test that corresponding notification message is received



- Modifying special day group with SetSpecialDayGroup command and test that corresponding notification message is received

Please refer to [Section 5.5](#) for Special Day Group Test Cases.

### 4.3.6 Schedule State

The test policies specific to the test case execution of Schedule functional block:

- DUT shall give the Schedule Service entry point by GetServices command, if DUT supports this service. Otherwise, these test cases will be skipped.
- DUT shall support the following command:
  - GetServices
- If DUT supports ReportingSupported as indicated by the Capabilities.StateReportingSupported, then DUT shall support the following command:
  - GetScheduleState
- The following tests are performed if DUT supports State Reporting:
  - Getting schedule state with GetScheduleState command
  - Changing schedule states with changing if iCalendar values in schedule
  - Changing schedule states with changing if iCalendar values in special day group

Please refer to [Section 5.6](#) for Schedule State Test Cases.

### 4.3.7 Schedule Events

The test policies specific to the test case execution of Schedule Events functional block:

- DUT shall give the Schedule Service and Event Service entry points by GetServices command, if DUT supports this service. Otherwise, these test cases will be skipped.
- DUT shall support the following commands:
  - GetServices
  - GetEventProperties
- DUT shall support Pull Point Subscription and Topic Expression filter.

- DUT shall generate property events with initial state after subscription was done.
- DUT shall generate property events with current state after corresponding properties were changed.
- If DUT supports ReportingSupported as indicated by the Capabilities.StateReportingSupported, then DUT shall support the following event:
  - tns1:Schedule/State/Active
- DUT shall supports the following events:
  - tns1:Configuration/Schedule/Changed
  - tns1:Configuration/Schedule/Removed
- If DUT supports Special Days as indicated by the Capabilities.SpecialDaysSupported, then DUT shall support the following events:
  - tns1:Configuration/SpecialDays/Changed
  - tns1:Configuration/SpecialDays/Removed
- The following tests are performed
  - Getting event properties with GetEventProperties command

Please refer to [Section 5.7](#) for Schedule Events Test Cases.

### 4.3.8 Consistency

The test policies specific to the test case execution of Consistency functional block:

- DUT shall give the Schedule Service by GetServices command, if DUT supports this service. Otherwise, these test cases will be skipped.
- DUT shall support the following commands:
  - GetServices
  - GetSpecialDayGroupInfo
  - GetSchedules
- The following tests are performed
  - Schedule and Special Day Group Info Consistency

Please refer to [Section 5.8](#) for Consistency Test Cases.

## 5 Schedule Test Cases

### 5.1 Capabilities

#### 5.1.1 SCHEDULE SERVICE CAPABILITIES

**Test Case ID:** SCHEDULE-1-1-1

**Specification Coverage:** ServiceCapabilities (ONVIF Schedule Service Specification), GetServiceCapabilities command (ONVIF Schedule Service Specification)

**Feature Under Test:** GetServiceCapabilities (for Schedule Service)

**WSDL Reference:** schedule.wsdl

**Test Purpose:** To verify DUT Schedule Service Capabilities.

**Pre-Requirement:** Schedule Service is received from the DUT

**Test Configuration:** ONVIF Client and DUT

**Test Procedure:**

1. Start an ONVIF Client.
2. Start the DUT.
3. ONVIF Client invokes **GetServiceCapabilities**.
4. The DUT responds with a **GetServiceCapabilitiesResponse** message with parameters
  - Capabilities =: *cap*

**Procedure Result:**

**PASS –**

- The DUT passed all assertions.

**FAIL –**

- The DUT did not send GetServiceCapabilitiesResponse message.

#### 5.1.2 GET SERVICES AND GET SCHEDULE SERVICE CAPABILITIES CONSISTENCY

**Test Case ID:** SCHEDULE-1-1-2

**Specification Coverage:** Capability exchange (ONVIF Core Specification), ServiceCapabilities (ONVIF Schedule Service Specification), GetServiceCapabilities command (ONVIF Schedule Service Specification)

**Feature Under Test:** GetServices, GetServiceCapabilities (for Schedule Service)

**WSDL Reference:** devicemgmt.wsdl, schedule.wsdl

**Test Purpose:** To verify Get Services and Schedule Service Capabilities consistency.

**Pre-Requisite:** None.

**Test Configuration:** ONVIF Client and DUT

**Test Procedure:**

1. Start an ONVIF Client.
2. Start the DUT.
3. ONVIF Client invokes **GetServices** request with parameters
  - IncludeCapability := true
4. The DUT responds with a GetServicesResponse message with parameters
  - Services list =: *servicesList*
5. ONVIF Client selects Service with Service.Namespace = "http://www.onvif.org/ver10/schedule/wsdl":
  - Services list [Namespace = "http://www.onvif.org/ver10/schedule/wsdl"] =: *scheduleService*
6. ONVIF Client invokes **GetServiceCapabilities**.
7. The DUT responds with a **GetServiceCapabilitiesResponse** message with parameters
  - Capabilities =: *cap*
8. If *cap* differs from *scheduleService.Capabilities.Capabilities*, FAIL the test.

**Procedure Result:**

**PASS –**

- The DUT passed all assertions.

**FAIL –**

- The DUT did not send GetServicesResponse message.
- The DUT did not send GetServiceCapabilitiesResponse message.

**Note:** The following fields are compared at step 8:

- MaxLimit
- MaxSchedules
- MaxTimePeriodsPerDay
- MaxSpecialDayGroups
- MaxSpecialDaysInSpecialDayGroup
- MaxSpecialDaysSchedules
- ExtendedRecurrenceSupported
- SpecialDaysSupported
- StateReportingSupported

## 5.2 Schedule Info

### 5.2.1 GET SCHEDULE INFO

**Test Case ID:** SCHEDULE-2-1-1

**Specification Coverage:** ScheduleInfo (ONVIF Schedule Service Specification), Get Schedule Info command (ONVIF Schedule Service Specification)

**Feature Under Test:** GetScheduleInfo

**WSDL Reference:** schedule.wsdl

**Test Purpose:** To verify Get Schedule Info.

**Pre-Requisite:** Schedule Service is received from the DUT.

**Test Configuration:** ONVIF Client and DUT

**Test Sequence:**

1. Start an ONVIF Client.
2. Start the DUT.
3. ONVIF Client retrieves a complete list of schedule info (out *scheduleInfoCompleteList*) by following the procedure mentioned in [Annex A.1](#).
4. If *scheduleInfoCompleteList* is empty, skip other steps.
5. ONVIF Client gets the service capabilities (out *cap*) by following the procedure mentioned in [Annex A.2](#).
6. Set the following:
  - *tokenList* := [subset of *scheduleInfoCompleteList.token* values with items number equal to *cap.MaxLimit*]
7. ONVIF client invokes **GetScheduleInfo** request with parameters
  - Token list := *tokenList*
8. The DUT responds with **GetScheduleInfoResponse** message with parameters
  - ScheduleInfo list =: *scheduleInfoList1*
9. If *scheduleInfoList1* does not contain ScheduleInfo item for each token from *tokenList*, FAIL the test and skip other steps.
10. If *scheduleInfoList1* contains at least two ScheduleInfo items with equal token, FAIL the test and skip other steps.
11. If *scheduleInfoList1* contains other ScheduleInfo items than listed in *tokenList*, FAIL the test and skip other steps.
12. For each ScheduleInfo.token *token* from *scheduleInfoCompleteList* repeat the following steps:
  - 12.1. ONVIF client invokes **GetScheduleInfo** request with parameters
    - Token[0] := *token*
  - 12.2. The DUT responds with **GetScheduleInfoResponse** message with parameters
    - ScheduleInfo list =: *scheduleInfoList2*
  - 12.3. If *scheduleInfoList2* does not contain only one ScheduleInfo item with token equal to *token*, FAIL the test and skip other steps.

12.4. If *scheduleInfoList2*[0] item is not equal to *scheduleInfoCompleteList*[token = *token*] item, FAIL the test and skip other steps.

**Test Result:****PASS –**

- The DUT passed all assertions.

**FAIL –**

- The DUT did not send **GetScheduleInfoResponse** message.

**Note:** If number of items in *scheduleInfoCompleteList* is less than *cap.MaxLimit*, then all *scheduleInfoCompleteList.Token* items shall be used for the step 6.

**Note:** The following fields are compared at step 12.4:

- ScheduleInfo:
  - token
  - Name
  - Description

## 5.2.2 GET SCHEDULE INFO LIST - LIMIT

**Test Case ID:** SCHEDULE-2-1-2

**Specification Coverage:** ScheduleInfo (ONVIF Schedule Service Specification), GetScheduleInfoList command (ONVIF Schedule Service Specification)

**Feature Under Test:** GetScheduleInfoList

**WSDL Reference:** schedule.wsdl

**Test Purpose:** To verify Get Schedule Info List using Limit.

**Pre-Requisite:** Schedule Service is received from the DUT.

**Test Configuration:** ONVIF Client and DUT

**Test Sequence:**

1. Start an ONVIF Client.



2. Start the DUT.
3. ONVIF Client gets the service capabilities (out *cap*) by following the procedure mentioned in [Annex A.2](#).
4. ONVIF client invokes **GetScheduleInfoList** request with parameters
  - Limit :=1
  - StartReference skipped
5. The DUT responds with **GetScheduleInfoListResponse** message with parameters
  - NextStartReference =: *nextStartReference*
  - ScheduleInfo list =: *scheduleInfoList1*
6. If *scheduleInfoList1* contains more ScheduleInfo items than 1, FAIL the test and skip other steps.
7. If *cap.MaxLimit* is equal to 1, skip other steps.
8. ONVIF client invokes **GetScheduleInfoList** request with parameters
  - Limit := *cap.MaxLimit*
  - StartReference skipped
9. The DUT responds with **GetScheduleInfoListResponse** message with parameters
  - NextStartReference =: *nextStartReference*
  - ScheduleInfo list =: *scheduleInfoList2*
10. If *scheduleInfoList2* contains more ScheduleInfo items than *cap.MaxLimit*, FAIL the test and skip other steps.
11. If *cap.MaxLimit* is equal to 2, skip other steps.
12. Set the following:
  - *limit* := [number between 1 and *cap.MaxLimit*]
13. ONVIF client invokes **GetScheduleInfoList** request with parameters
  - Limit := *limit*
  - StartReference skipped

14. The DUT responds with **GetScheduleInfoListResponse** message with parameters

- NextStartReference =: *nextStartReference*
- ScheduleInfo list =: *scheduleInfoList3*

15. If *scheduleInfoList3* contains more ScheduleInfo items than *limit*, FAIL the test and skip other steps.

**Test Result:**

**PASS –**

- The DUT passed all assertions.

**FAIL –**

- The DUT did not send **GetScheduleInfoListResponse** message.

## 5.2.3 GET SCHEDULE INFO LIST - START REFERENCE AND LIMIT

**Test Case ID:** SCHEDULE-2-1-3

**Specification Coverage:** ScheduleInfo (ONVIF Schedule Service Specification), GetScheduleInfoList command (ONVIF Schedule Service Specification)

**Feature Under Test:** GetScheduleInfoList

**WSDL Reference:** schedule.wsdl

**Test Purpose:** To verify Get Schedule Info List using StartReference and Limit.

**Pre-Requisite:** Schedule Service is received from the DUT.

**Test Configuration:** ONVIF Client and DUT

**Test Sequence:**

1. Start an ONVIF Client.
2. Start the DUT.
3. ONVIF Client gets the service capabilities (out *cap*) by following the procedure mentioned in [Annex A.2](#).

4. ONVIF client invokes **GetScheduleInfoList** request with parameters
  - Limit := *cap.MaxLimit*
  - StartReference skipped
5. The DUT responds with **GetScheduleInfoListResponse** message with parameters
  - NextStartReference =: *nextStartReference*
  - ScheduleInfo list =: *scheduleInfoCompleteList1*
6. If *scheduleInfoCompleteList1* contains more ScheduleInfo items than *cap.MaxLimit*, FAIL the test and skip other steps.
7. Until *nextStartReference* is not null, repeat the following steps:
  - 7.1. ONVIF client invokes **GetScheduleInfoList** request with parameters
    - Limit := *cap.MaxLimit*
    - StartReference := *nextStartReference*
  - 7.2. The DUT responds with **GetScheduleInfoListResponse** message with parameters
    - NextStartReference =: *nextStartReference*
    - ScheduleInfo list =: *scheduleInfoListPart*
  - 7.3. If *scheduleInfoListPart* contains more ScheduleInfo items than *cap.MaxLimit*, FAIL the test and skip other steps.
  - 7.4. Set the following:
    - *scheduleInfoCompleteList1* := *scheduleInfoCompleteList1* + *scheduleInfoListPart*
8. If *scheduleInfoCompleteList1* contains at least two ScheduleInfo item with equal token, FAIL the test and skip other steps.
9. If *cap.MaxLimit* is equal to 1, skip other steps.
10. ONVIF client invokes **GetScheduleInfoList** request with parameters
  - Limit := 1
  - StartReference skipped
11. The DUT responds with **GetScheduleInfoListResponse** message with parameters

- NextStartReference =: *nextStartReference*
  - ScheduleInfo list =: *scheduleInfoCompleteList2*
12. If *scheduleInfoCompleteList2* contains more ScheduleInfo items than 1, FAIL the test and skip other steps.
13. Until *nextStartReference* is not null, repeat the following steps:
- 13.1. ONVIF client invokes **GetScheduleInfoList** request with parameters
- Limit := 1
  - StartReference := *nextStartReference*
- 13.2. The DUT responds with **GetScheduleInfoListResponse** message with parameters
- NextStartReference =: *nextStartReference*
  - ScheduleInfo list =: *scheduleInfoListPart*
- 13.3. If *scheduleInfoListPart* contains more ScheduleInfo items than 1, FAIL the test and skip other steps.
- 13.4. Set the following:
- *scheduleInfoCompleteList2* := *scheduleInfoCompleteList2* + *scheduleInfoListPart*
14. If *scheduleInfoCompleteList2* contains at least two ScheduleInfo item with equal token, FAIL the test and skip other steps.
15. If *scheduleInfoCompleteList2* does not contain all schedules from *scheduleInfoCompleteList1*, FAIL the test and skip other steps.
16. If *scheduleInfoCompleteList2* contains schedules other than schedules from *scheduleInfoCompleteList1*, FAIL the test and skip other steps.
17. If *cap.MaxLimit* is equal to 2, skip other steps.
18. Set the following:
- *limit* := [number between 1 and *cap.MaxLimit*]
19. ONVIF client invokes **GetScheduleInfoList** request with parameters
- Limit := *limit*
  - StartReference skipped

20. The DUT responds with **GetScheduleInfoListResponse** message with parameters

- NextStartReference =: *nextStartReference*
- ScheduleInfo list =: *scheduleInfoCompleteList3*

21. If *scheduleInfoCompleteList3* contains more ScheduleInfo items than *limit*, FAIL the test and skip other steps.

22. Until *nextStartReference* is not null, repeat the following steps:

22.1. ONVIF client invokes **GetScheduleInfoList** request with parameters

- Limit := *limit*
- StartReference := *nextStartReference*

22.2. The DUT responds with **GetScheduleInfoListResponse** message with parameters

- NextStartReference =: *nextStartReference*
- ScheduleInfo list =: *scheduleInfoListPart*

22.3. If *scheduleInfoListPart* contains more ScheduleInfo items than *limit*, FAIL the test and skip other steps.

22.4. Set the following:

- *scheduleInfoCompleteList3* := *scheduleInfoCompleteList3* + *scheduleInfoListPart*

23. If *scheduleInfoCompleteList3* contains at least two ScheduleInfo item with equal token, FAIL the test and skip other steps.

24. If *scheduleInfoCompleteList3* does not contain all schedules from *scheduleInfoCompleteList1*, FAIL the test and skip other steps.

25. If *scheduleInfoCompleteList3* contains schedules other than schedules from *scheduleInfoCompleteList1*, FAIL the test and skip other steps.

#### Test Result:

##### PASS –

- The DUT passed all assertions.

##### FAIL –

- The DUT did not send **GetScheduleInfoListResponse** message.

## 5.2.4 GET SCHEDULE INFO LIST - NO LIMIT

**Test Case ID:** SCHEDULE-2-1-4

**Specification Coverage:** ScheduleInfo (ONVIF Schedule Service Specification), GetScheduleInfoList command (ONVIF Schedule Service Specification)

**Feature Under Test:** GetScheduleInfoList

**WSDL Reference:** schedule.wsdl

**Test Purpose:** To verify Get Schedule Info List without using Limit.

**Pre-Requisite:** Schedule Service is received from the DUT.

**Test Configuration:** ONVIF Client and DUT

**Test Sequence:**

1. Start an ONVIF Client.
2. Start the DUT.
3. ONVIF Client gets the service capabilities (out *cap*) by following the procedure mentioned in [Annex A.2](#).
4. ONVIF client invokes **GetScheduleInfoList** request with parameters
  - Limit skipped
  - StartReference skipped
5. The DUT responds with **GetScheduleInfoListResponse** message with parameters
  - NextStartReference =: *nextStartReference*
  - ScheduleInfo list =: *scheduleInfoCompleteList*
6. If *scheduleInfoCompleteList* contains more ScheduleInfo items than *cap.MaxLimit*, FAIL the test and skip other steps.
7. Until *nextStartReference* is not null, repeat the following steps:
  - 7.1. ONVIF client invokes **GetScheduleInfoList** request with parameters
    - Limit skipped

- $StartReference := nextStartReference$
- 7.2. The DUT responds with **GetScheduleInfoListResponse** message with parameters
- $NextStartReference =: nextStartReference$
  - ScheduleInfo list =: *scheduleInfoListPart*
- 7.3. If *scheduleInfoListPart* contains more ScheduleInfo items than *cap.MaxLimit*, FAIL the test and skip other steps.
- 7.4. Set the following:
- $scheduleInfoCompleteList := scheduleInfoCompleteList + scheduleInfoListPart$
8. If *scheduleInfoCompleteList* contains at least two ScheduleInfo item with equal token, FAIL the test and skip other steps.
9. If *scheduleInfoCompleteList* contains more ScheduleInfo items than *cap.MaxSchedules*, FAIL the test and skip other steps.

**Test Result:****PASS –**

- The DUT passed all assertions.

**FAIL –**

- The DUT did not send **GetScheduleInfoListResponse** message.

## 5.2.5 GET SCHEDULE INFO WITH INVALID TOKEN

**Test Case ID:** SCHEDULE-2-1-5

**Specification Coverage:** ScheduleInfo (ONVIF Schedule Service Specification), Get Schedule Info command (ONVIF Schedule Service Specification)

**Feature Under Test:** GetScheduleInfo

**WSDL Reference:** schedule.wsdl

**Test Purpose:** To verify Get Schedule Info with invalid token.

**Pre-Requisite:** Schedule Service is received from the DUT.

**Test Configuration:** ONVIF Client and DUT**Test Sequence:**

1. Start an ONVIF Client.
2. Start the DUT.
3. ONVIF Client retrieves a complete list of schedule info (out *scheduleInfoCompleteList*) by following the procedure mentioned in [Annex A.1](#).
4. Set the following:
  - *invalidToken* := value not equal to any *scheduleInfoCompleteList.token*
5. ONVIF client invokes **GetScheduleInfo** request with parameters
  - Token list := *invalidToken*
6. The DUT responds with **GetScheduleInfoResponse** message with parameters
  - ScheduleInfo list =: *scheduleInfoList*
7. If *scheduleInfoList* is not empty, FAIL the test.
8. If *scheduleInfoCompleteList* is empty, skip other steps.
9. ONVIF Client gets the service capabilities (out *cap*) by following the procedure mentioned in [Annex A.2](#).
10. If *cap.MaxLimit* is less than 2, skip other steps.
11. ONVIF client invokes **GetScheduleInfo** request with parameters
  - Token[0]:= *invalidToken*
  - Token[1]:= *scheduleInfoCompleteList[0].token*
12. The DUT responds with **GetScheduleInfoResponse** message with parameters
  - ScheduleInfo list =: *scheduleInfoList*
13. If *scheduleInfoList* is empty, FAIL the test.
14. If *scheduleInfoList* contains more than one item, FAIL the test.
15. If *scheduleInfoList[0].token* is not equal to *scheduleInfoCompleteList[0].token*, FAIL the test.



**Test Result:****PASS –**

- The DUT passed all assertions.

**FAIL –**

- The DUT did not send **GetScheduleInfoResponse** message.

## 5.2.6 GET SCHEDULE INFO - TOO MANY ITEMS

**Test Case ID:** SCHEDULE-2-1-6

**Specification Coverage:** ScheduleInfo (ONVIF Schedule Service Specification), Get Schedule Info command (ONVIF Schedule Service Specification)

**Feature Under Test:** GetScheduleInfo

**WSDL Reference:** schedule.wsdl

**Test Purpose:** To verify Get Schedule Info in case there are more items than MaxLimit in request.

**Pre-Requisite:** Schedule Service is received from the DUT.

**Test Configuration:** ONVIF Client and DUT

**Test Sequence:**

1. Start an ONVIF Client.
2. Start the DUT.
3. ONVIF Client retrieves a complete list of schedule info (out *scheduleInfoCompleteList*) by following the procedure mentioned in [Annex A.1](#).
4. ONVIF Client gets the service capabilities (out *cap*) by following the procedure mentioned in [Annex A.2](#).
5. If *scheduleInfoCompleteList.token* items number is less than *cap.MaxLimit* or equal to *cap.MaxLimit*, skip other steps.
6. Set the following:
  - *tokenList* := [subset of *scheduleInfoCompleteList.token* values with items number equal to *cap.MaxLimit* + 1]

7. ONVIF client invokes **GetScheduleInfo** request with parameters
  - Token list := *tokenList*
8. The DUT returns **env:SenderTerminates:InvalidArgsTerminates:TooManyItems** SOAP 1.2 fault.

**Test Result:****PASS –**

- The DUT passed all assertions.

**FAIL –**

- The DUT did not send **env:SenderTerminates:InvalidArgsTerminates:TooManyItems** SOAP 1.2 fault.

## 5.3 Schedule

### 5.3.1 GET SCHEDULES

**Test Case ID:** SCHEDULE-3-1-1

**Specification Coverage:** Schedule (ONVIF Schedule Service Specification), GetSchedules command (ONVIF Schedule Service Specification)

**Feature Under Test:** GetSchedules

**WSDL Reference:** schedule.wsdl

**Test Purpose:** To verify Get Schedule.

**Pre-Requisite:** Schedule Service is received from the DUT.

**Test Configuration:** ONVIF Client and DUT

**Test Sequence:**

1. Start an ONVIF Client.
2. Start the DUT.
3. ONVIF Client retrieves a complete list of schedules (out *scheduleCompleteList*) by following the procedure mentioned in [Annex A.3](#).
4. If *scheduleCompleteList* is empty, skip other steps.

5. ONVIF Client gets the service capabilities (out *cap*) by following the procedure mentioned in [Annex A.2](#).
6. Set the following:
  - *tokenList* := [subset of *scheduleCompleteList.token* values with items number equal to *cap.MaxLimit*]
7. ONVIF client invokes **GetSchedules** request with parameters
  - Token list := *tokenList*
8. The DUT responds with **GetScheduleResponse** message with parameters
  - Schedule list =: *scheduleList1*
9. If *scheduleList1* does not contain Schedule item for each token from *tokenList*, FAIL the test and skip other steps.
10. If *scheduleList1* contains at least two Schedule items with equal token, FAIL the test and skip other steps.
11. If *scheduleList1* contains other Schedule items than listed in *tokenList*, FAIL the test and skip other steps.
12. For each Schedule.token *token* from *scheduleCompleteList* repeat the following steps:
  - 12.1. ONVIF client invokes **GetSchedules** request with parameters
    - Token[0] := *token*
  - 12.2. The DUT responds with **GetSchedulesResponse** message with parameters
    - Schedule list =: *scheduleList2*
  - 12.3. If *scheduleList2* does not contain only one Schedule item with token equal to *token*, FAIL the test and skip other steps.
  - 12.4. If *scheduleList2*[0] item does not have equal field values to *scheduleCompleteList*[token = *token*] item, FAIL the test and skip other steps.

**Test Result:****PASS –**

- The DUT passed all assertions.

**FAIL –**

- The DUT did not send **GetSchedulesResponse** message.

**Note:** If number of items in *scheduleCompleteList* is less than *cap.MaxLimit*, then all *scheduleCompleteList.Token* items shall be used for the step 6.

**Note:** The following fields are compared at step 12.4:

- Schedule:
  - token
  - Name
  - Description
  - Standart
  - SpecialDays
    - GroupToken
    - TimeRange
      - From
      - Until

## 5.3.2 GET SCHEDULE LIST - LIMIT

**Test Case ID:** SCHEDULE-3-1-2

**Specification Coverage:** Schedule (ONVIF Schedule Service Specification), GetScheduleList command (ONVIF Schedule Service Specification)

**Feature Under Test:** GetScheduleList

**WSDL Reference:** schedule.wsdl

**Test Purpose:** To verify Get Schedule List using Limit.

**Pre-Requisite:** Schedule Service is received from the DUT.

**Test Configuration:** ONVIF Client and DUT

**Test Sequence:**

1. Start an ONVIF Client.

2. Start the DUT.
3. ONVIF Client gets the service capabilities (out *cap*) by following the procedure mentioned in [Annex A.2](#).
4. ONVIF client invokes **GetScheduleList** request with parameters
  - Limit :=1
  - StartReference skipped
5. The DUT responds with **GetScheduleListResponse** message with parameters
  - NextStartReference =: *nextStartReference*
  - Schedule list =: *scheduleList1*
6. If *scheduleList1* contains more Schedule items than 1, FAIL the test and skip other steps.
7. If *cap.MaxLimit* is equal to 1, skip other steps.
8. ONVIF client invokes **GetScheduleList** request with parameters
  - Limit := *cap.MaxLimit*
  - StartReference skipped
9. The DUT responds with **GetScheduleListResponse** message with parameters
  - NextStartReference =: *nextStartReference*
  - Schedule list =: *scheduleList2*
10. If *scheduleList2* contains more Schedule items than *cap.MaxLimit*, FAIL the test and skip other steps.
11. If *cap.MaxLimit* is equal to 2, skip other steps.
12. Set the following:
  - *limit* := [number between 1 and *cap.MaxLimit*]
13. ONVIF client invokes **GetScheduleList** request with parameters
  - Limit := *limit*
  - StartReference skipped
14. The DUT responds with **GetScheduleListResponse** message with parameters

- NextStartReference =: *nextStartReference*
- Schedule list =: *scheduleList3*

15. If *scheduleList3* contains more Schedule items than *limit*, FAIL the test and skip other steps.

**Test Result:****PASS –**

- The DUT passed all assertions.

**FAIL –**

- The DUT did not send **GetScheduleListResponse** message.

### 5.3.3 GET SCHEDULE LIST - START REFERENCE AND LIMIT

**Test Case ID:** SCHEDULE-3-1-3

**Specification Coverage:** ScheduleInfo (ONVIF Schedule Service Specification), Schedule (ONVIF Schedule Service Specification), GetScheduleList command (ONVIF Schedule Service Specification)

**Feature Under Test:** GetScheduleList

**WSDL Reference:** schedule.wsdl

**Test Purpose:** To verify Get Schedule List using StartReference and Limit.

**Pre-Requisite:** Schedule Service is received from the DUT.

**Test Configuration:** ONVIF Client and DUT

**Test Sequence:**

1. Start an ONVIF Client.
2. Start the DUT.
3. ONVIF Client gets the service capabilities (out *cap*) by following the procedure mentioned in [Annex A.2](#).
4. ONVIF client invokes **GetScheduleList** request with parameters

- Limit := *cap.MaxLimit*
  - StartReference skipped
5. The DUT responds with **GetScheduleListResponse** message with parameters
    - NextStartReference =: *nextStartReference*
    - Schedule list =: *scheduleCompleteList1*
  6. If *scheduleCompleteList1* contains more Schedule items than *cap.MaxLimit*, FAIL the test and skip other steps.
  7. Until *nextStartReference* is not null, repeat the following steps:
    - 7.1. ONVIF client invokes **GetScheduleList** request with parameters
      - Limit := *cap.MaxLimit*
      - StartReference := *nextStartReference*
    - 7.2. The DUT responds with **GetScheduleListResponse** message with parameters
      - NextStartReference =: *nextStartReference*
      - Schedule list =: *scheduleListPart*
    - 7.3. If *scheduleListPart* contains more Schedule items than *cap.MaxLimit*, FAIL the test and skip other steps.
    - 7.4. Set the following:
      - *scheduleCompleteList1* := *scheduleCompleteList1* + *scheduleListPart*
  8. If *scheduleCompleteList1* contains at least two Schedule item with equal token, FAIL the test and skip other steps.
  9. If *cap.MaxLimit* is equal to 1, do the following steps:
    - 9.1. ONVIF Client retrieves a complete list of ScheduleInfo (out *scheduleInfoCompleteList*) by following the procedure mentioned in [Annex A.1](#).
    - 9.2. If *scheduleCompleteList1* does not contain all tokens from *scheduleInfoCompleteList*, FAIL the test and skip other steps.
    - 9.3. If *scheduleCompleteList1* contains tokens other than tokens from *scheduleInfoCompleteList*, FAIL the test and skip other steps.

- 9.4. For each `ScheduleInfo.token` *token* from *scheduleInfoCompleteList* repeat the following steps:
  - 9.4.1. If *scheduleCompleteList1*[`token = token`] item does not have equal field values to *scheduleInfoCompleteList*[`token = token`] item, FAIL the test and skip other steps.
- 9.5. Skip other steps.
10. ONVIF client invokes **GetScheduleList** request with parameters
  - Limit := 1
  - StartReference skipped
11. The DUT responds with **GetScheduleListResponse** message with parameters
  - NextStartReference =: *nextStartReference*
  - Schedule list =: *scheduleCompleteList2*
12. If *scheduleCompleteList2* contains more Schedule items than 1, FAIL the test and skip other steps.
13. Until *nextStartReference* is not null, repeat the following steps:
  - 13.1. ONVIF client invokes **GetScheduleList** request with parameters
    - Limit := 1
    - StartReference := *nextStartReference*
  - 13.2. The DUT responds with **GetScheduleListResponse** message with parameters
    - NextStartReference =: *nextStartReference*
    - Schedule list =: *scheduleListPart*
  - 13.3. If *scheduleListPart* contains more Schedule items than 1, FAIL the test and skip other steps.
  - 13.4. Set the following:
    - *scheduleCompleteList2* := *scheduleCompleteList2* + *scheduleListPart*
14. If *scheduleCompleteList2* contains at least two Schedule item with equal token, FAIL the test and skip other steps.



15. If *scheduleCompleteList2* does not contain all schedules from *scheduleCompleteList1*, FAIL the test and skip other steps.
16. If *scheduleCompleteList2* contains schedules other than schedules from *scheduleCompleteList1*, FAIL the test and skip other steps.
17. If *cap.MaxLimit* is equal to 2 do the following steps:
  - 17.1. ONVIF Client retrieves a complete list of ScheduleInfo (out *scheduleInfoCompleteList*) by following the procedure mentioned in [Annex A.1](#).
  - 17.2. If *scheduleCompleteList2* does not contain all tokens from *scheduleInfoCompleteList*, FAIL the test and skip other steps.
  - 17.3. If *scheduleCompleteList2* contains tokens other than tokens from *scheduleInfoCompleteList*, FAIL the test and skip other steps.
  - 17.4. For each ScheduleInfo.token *token* from *scheduleInfoCompleteList* repeat the following steps:
    - 17.4.1. If *scheduleCompleteList2*[token = *token*] item does not have equal field values to *scheduleInfoCompleteList*[token = *token*] item, FAIL the test and skip other steps.
  - 17.5. Skip other steps.
18. Set the following:
  - *limit* := [number between 1 and *cap.MaxLimit*]
19. ONVIF client invokes **GetScheduleList** request with parameters
  - Limit := *limit*
  - StartReference skipped
20. The DUT responds with **GetScheduleListResponse** message with parameters
  - NextStartReference =: *nextStartReference*
  - Schedule list =: *scheduleCompleteList3*
21. If *scheduleCompleteList3* contains more Schedule items than *limit*, FAIL the test and skip other steps.
22. Until *nextStartReference* is not null, repeat the following steps:
  - 22.1. ONVIF client invokes **GetScheduleList** request with parameters

- Limit := *limit*
- StartReference := *nextStartReference*

22.2. The DUT responds with **GetScheduleListResponse** message with parameters

- NextStartReference =: *nextStartReference*
- Schedule list =: *scheduleListPart*

22.3. If *scheduleListPart* contains more Schedule items than *limit*, FAIL the test and skip other steps.

22.4. Set the following:

- *scheduleCompleteList3* := *scheduleCompleteList3* + *scheduleListPart*

23. If *scheduleCompleteList3* contains at least two Schedule item with equal token, FAIL the test and skip other steps.

24. If *scheduleCompleteList3* does not contain all schedules from *scheduleCompleteList1*, FAIL the test and skip other steps.

25. If *scheduleCompleteList3* contains schedules other than schedules from *scheduleCompleteList1*, FAIL the test and skip other steps.

26. ONVIF Client retrieves a complete list of ScheduleInfo (out *scheduleInfoCompleteList*) by following the procedure mentioned in [Annex A.1](#).

27. If *scheduleCompleteList3* does not contain all tokens from *scheduleInfoCompleteList*, FAIL the test and skip other steps.

28. If *scheduleCompleteList3* contains tokens other than tokens from *scheduleInfoCompleteList*, FAIL the test and skip other steps.

29. For each ScheduleInfo.token *token* from *scheduleInfoCompleteList* repeat the following steps:

29.1. If *scheduleCompleteList3*[token = *token*] item does not have equal field values to *scheduleInfoCompleteList*[token = *token*] item, FAIL the test and skip other steps.

### Test Result:

#### PASS –

- The DUT passed all assertions.

**FAIL –**

- The DUT did not send **GetScheduleListResponse** message.

**Note:** The following fields are compared at steps 9.4.1, 17.4.1, 29.1:

- ScheduleInfo:
  - token
  - Name
  - Description

## 5.3.4 GET SCHEDULE LIST - NO LIMIT

**Test Case ID:** SCHEDULE-3-1-4

**Specification Coverage:** ScheduleInfo (ONVIF Schedule Service Specification), Schedule (ONVIF Schedule Service Specification), GetScheduleList command (ONVIF Schedule Service Specification)

**Feature Under Test:** GetScheduleList

**WSDL Reference:** schedule.wsdl

**Test Purpose:** To verify Get Schedule List without using Limit.

**Pre-Requirement:** Schedule Service is received from the DUT.

**Test Configuration:** ONVIF Client and DUT

**Test Sequence:**

1. Start an ONVIF Client.
2. Start the DUT.
3. ONVIF Client gets the service capabilities (out *cap*) by following the procedure mentioned in [Annex A.2](#).
4. ONVIF client invokes **GetScheduleList** request with parameters
  - Limit skipped
  - StartReference skipped

5. The DUT responds with **GetScheduleListResponse** message with parameters
  - NextStartReference =: *nextStartReference*
  - Schedule list =: *scheduleCompleteList*
6. If *scheduleCompleteList* contains more Schedule items than *cap.MaxLimit*, FAIL the test and skip other steps.
7. Until *nextStartReference* is not null, repeat the following steps:
  - 7.1. ONVIF client invokes **GetScheduleList** request with parameters
    - Limit skipped
    - StartReference := *nextStartReference*
  - 7.2. The DUT responds with **GetScheduleListResponse** message with parameters
    - NextStartReference =: *nextStartReference*
    - Schedule list =: *scheduleListPart*
  - 7.3. If *scheduleListPart* contains more Schedule items than *cap.MaxLimit*, FAIL the test and skip other steps.
  - 7.4. Set the following:
    - *scheduleCompleteList* := *scheduleCompleteList* + *scheduleListPart*
8. If *scheduleCompleteList* contains at least two Schedule item with equal token, FAIL the test and skip other steps.
9. ONVIF Client retrieves a complete list of schedules (out *scheduleInfoCompleteList*) by following the procedure mentioned in [Annex A.1](#).
10. If *scheduleCompleteList* does not contain all schedules from *scheduleInfoCompleteList*, FAIL the test and skip other steps.
11. If *scheduleCompleteList* contains schedules other than schedules from *scheduleInfoCompleteList*, FAIL the test and skip other steps.
12. For each ScheduleInfo.token *token* from *scheduleInfoCompleteList* repeat the following steps:
  - 12.1. If *scheduleCompleteList*[token = *token*] item does not have equal field values to *scheduleInfoCompleteList*[token = *token*] item, FAIL the test and skip other steps.

**Test Result:****PASS –**

- The DUT passed all assertions.

**FAIL –**

- The DUT did not send **GetScheduleListResponse** message.

**Note:** The following fields are compared at step 12.1:

- ScheduleInfo:
  - token
  - Name
  - Description

## 5.3.5 CREATE SCHEDULE

**Test Case ID:** SCHEDULE-3-1-5

**Specification Coverage:** ScheduleInfo (ONVIF Schedule Service Specification), Schedule (ONVIF Schedule Service Specification), CreateSchedule command (ONVIF Schedule Service Specification)

**Feature Under Test:** CreateSchedule

**WSDL Reference:** schedule.wsdl and event.wsdl

**Test Purpose:** To verify creation of schedule and generating of appropriate notifications.

**Pre-Requisite:** Schedule Service is received from the DUT. Event Service is received from the DUT. Device supports Pull-Point Notification feature. The DUT shall have enough free storage capacity for one additional Schedule. The DUT shall have enough free storage capacity for one additional SpecialDayGroup if Special Days is supported by the DUT.

**Test Configuration:** ONVIF Client and DUT

**Test Sequence:**

1. Start an ONVIF Client.
2. Start the DUT.

3. ONVIF Client gets the service capabilities (out *cap*) by following the procedure mentioned in [Annex A.2](#).
4. ONVIF Client retrieves an initial complete list of schedules (out *scheduleCompleteList1*) by following the procedure mentioned in [Annex A.3](#).
5. If *cap.SpecialDaysSupported* is equal to true, ONVIF Client creates *SpecialDayGroup* (out *specialDayGroupToken*) by following the procedure mentioned in [Annex A.8](#).
6. ONVIF Client generates appropriate iCalendar value for the *Schedule.Standard* field (in *cap*, out *scheduleiCalendarValue*) by following the procedure mentioned in [Annex A.7](#).
7. ONVIF Client invokes **CreatePullPointSubscription** request with parameters
  - *Filter.TopicExpression* := "tns1:Configuration/Schedule/Changed"
8. The DUT responds with a **CreatePullPointSubscriptionResponse** message with parameters
  - *SubscriptionReference* =: *s*
  - *CurrentTime* =: *ct*
  - *TerminationTime* =: *tt*
9. ONVIF client invokes **CreateSchedule** request with parameters
  - *Schedule.token* := ""
  - *Schedule.Description* := "Test Description"
  - *Schedule.Name* := "Test Name"
  - *Schedule.Standard* := *scheduleiCalendarValue*
  - *Schedule.SpecialDays* skipped if *cap.SpecialDaysSupported* is equal to false
  - *Schedule.SpecialDays.GroupToken* := *specialDayGroupToken*
  - *Schedule.SpecialDays.TimeRange.From* := "22:00:00"
  - *Schedule.SpecialDays.TimeRange.Until* := "23:00:00"
10. The DUT responds with **CreateScheduleResponse** message with parameters
  - *Token* =: *scheduleToken*
11. Until *timeout1* timeout expires, repeat the following steps:

- 11.1. ONVIF Client waits for time  $t := \min\{(tt-ct)/2, 1 \text{ second}\}$ .
- 11.2. ONVIF Client invokes **PullMessages** to the subscription endpoint *s* request with parameters
  - Timeout := PT60S
  - MessageLimit := 1
- 11.3. The DUT responds with **PullMessagesResponse** message with parameters
  - CurrentTime =: *ct*
  - TerminationTime =: *tt*
  - NotificationMessage =: *m*
- 11.4. If *m* is not null and the TopicExpression item in *m* is not equal to "tns1:Configuration/Schedule/Changed", FAIL the test and go to the step 22.
- 11.5. If *m* is not null and does not contain Source.SimpleItem item with Name =: "ScheduleToken" and Value =: *scheduleToken*, FAIL the test and go to the step 22.
- 11.6. If *m* is not null and contains Source.SimpleItem item with Name =: "ScheduleToken" and Value =: *scheduleToken*, go to the step 13.
12. If *operationDelay* timeout expires for step 11 without Notification with ScheduleToken source simple item equal to *scheduleToken*, FAIL the test and go to the step 22.
13. ONVIF Client retrieves a schedule (in *scheduleToken*, out *scheduleList*) by following the procedure mentioned in [Annex A.9](#).
14. If *scheduleList*[0] item does not have equal field values to values from step 9, FAIL the test and go step 22.
15. ONVIF Client retrieves a schedule info (in *scheduleToken*, out *scheduleInfoList*) by following the procedure mentioned in [Annex A.10](#).
16. If *scheduleInfoList*[0] item does not have equal field values to values from step 9, FAIL the test and go step 22.
17. ONVIF Client retrieves a complete schedule information list (out *scheduleInfoCompleteList*) by following the procedure mentioned in [Annex A.1](#).
18. If *scheduleInfoCompleteList* does not have *scheduleInfo*[token = *scheduleToken*] item with equal field values to values from step 9, FAIL the test and go step 22.

19. ONVIF Client retrieves a complete list of schedules (out *scheduleCompleteList2*) by following the procedure mentioned in [Annex A.3](#).
20. If *scheduleCompleteList2* does not have *schedule[token = scheduleToken]* item with equal field values to values from step 9, FAIL the test and go step 22.
21. For each *Schedule.token (token)* from *scheduleCompleteList1* do the following:
  - 21.1. If *scheduleCompleteList2* does not have *schedule[token = token]* item, FAIL the test and go step 22.
22. ONVIF Client deletes the *Schedule (in scheduleToken)* by following the procedure mentioned in [Annex A.11](#) to restore DUT configuration.
23. If *SpecialDayGroup* was created at step 4, ONVIF Client deletes the *SpecialDayGroup (in specialDayGroupToken)* by following the procedure mentioned in [Annex A.12](#) to restore DUT configuration.
24. ONVIF Client sends an **Unsubscribe** to the subscription endpoint *s*.
25. The DUT responds with **UnsubscribeResponse** message.

**Test Result:****PASS –**

- The DUT passed all assertions.

**FAIL –**

- The DUT did not send **CreatePullPointSubscriptionResponse** message.
- The DUT did not send **CreateScheduleResponse** message.
- The DUT did not send **PullMessagesResponse** message.
- The DUT did not send **UnsubscribeResponse** message.

**Note:** *operationDelay* will be taken from Operation Delay field of ONVIF Device Test Tool.

**Note:** The following fields are compared at steps 14, 20:

- Schedule:
  - token
  - Name



- Description
- Standard
  - GroupToken
  - TimeRange
    - From
    - Until

**Note:** The following fields are compared at step 16, 18:

- ScheduleInfo:
  - token
  - Name
  - Description

**Note:** For comparison Schedule.Standard field values the ONVIF Client compares all iCalendar fields each with other excluding UID field.

## 5.3.6 MODIFY SCHEDULE

**Test Case ID:** SCHEDULE-3-1-6

**Specification Coverage:** ScheduleInfo (ONVIF Schedule Service Specification), Schedule (ONVIF Schedule Service Specification), ModifySchedule command (ONVIF Schedule Service Specification)

**Feature Under Test:** ModifySchedule

**WSDL Reference:** schedule.wsdl and event.wsdl

**Test Purpose:** To verify modifying of schedule and generating of appropriate notifications.

**Pre-Requisite:** Schedule Service is received from the DUT. Event Service is received from the DUT. Device supports Pull-Point Notification feature. The DUT shall have enough free storage capacity for one additional Schedule. The DUT shall have enough free storage capacity for one additional SpecialDayGroup if Special Days is supported by the DUT.

**Test Configuration:** ONVIF Client and DUT

**Test Sequence:**

1. Start an ONVIF Client.
2. Start the DUT.
3. ONVIF Client gets the service capabilities (out *cap*) by following the procedure mentioned in [Annex A.2](#).
4. ONVIF Client generates appropriate iCalendar value for the Schedule.Standard field (in *cap*, out *scheduleiCalendarValue*) by following the procedure mentioned in [Annex A.7](#).
5. If *cap.SpecialDaysSupported* is equal to true, ONVIF Client creates SpecialDayGroup (out *specialDayGroupToken*) by following the procedure mentioned in [Annex A.8](#).
6. ONVIF Client creates Schedule with Schedule token (out *scheduleToken*), with iCalendar value of the Schedule.Standard field (in *scheduleiCalendarValue*) and with SpecialDayGroupToken (in *specialDayGroupToken*) if Special Days is supported by the DUT by following the procedure mentioned in [Annex A.13](#).
7. Set the following:
  - *scheduleiCalendarValue* := *scheduleiCalendarValue* with changed <hour> in DTSTART and DTEND (increase hour values in 1)
8. ONVIF Client invokes **CreatePullPointSubscription** request with parameters
  - Filter.TopicExpression := "tns1:Configuration/Schedule/Changed"
9. The DUT responds with a **CreatePullPointSubscriptionResponse** message with parameters
  - SubscriptionReference =: *s*
  - CurrentTime =: *ct*
  - TerminationTime =: *tt*
10. ONVIF client invokes **ModifySchedule** request with parameters
  - Schedule.token := "*scheduleToken*"
  - Schedule.Name := "Test Name2"
  - Schedule.Description := "Test Description2"
  - Schedule.Standard := *scheduleiCalendarValue*
  - Schedule.SpecialDays skipped

11. The DUT responds with **ModifyScheduleResponse** message.
12. Until *timeout1* timeout expires, repeat the following steps:
  - 12.1. ONVIF Client waits for time  $t := \min\{(tt-ct)/2, 1 \text{ second}\}$ .
  - 12.2. ONVIF Client invokes **PullMessages** to the subscription endpoint *s* request with parameters
    - Timeout := PT60S
    - MessageLimit := 1
  - 12.3. The DUT responds with **PullMessagesResponse** message with parameters
    - CurrentTime =: *ct*
    - TerminationTime =: *tt*
    - NotificationMessage =: *m*
  - 12.4. If *m* is not null and the TopicExpression item in *m* is not equal to "tns1:Configuration/Schedule/Changed", FAIL the test and go to the step 23.
  - 12.5. If *m* is not null and does not contain Source.SimpleItem item with Name =: "ScheduleToken" and Value =: *scheduleToken*, FAIL the test and go to the step 23.
  - 12.6. If *m* is not null and contains Source.SimpleItem item with Name =: "ScheduleToken" and Value =: *scheduleToken*, go to the step 14.
13. If *operationDelay* timeout expires for step 12 without Notification with ScheduleToken source simple item equal to *scheduleToken*, FAIL the test and go to the step 23.
14. ONVIF Client retrieves a schedule (in *scheduleToken*, out *scheduleList*) by following the procedure mentioned in [Annex A.9](#).
15. If *scheduleList*[0] item does not have equal field values to values from step 10, FAIL the test and go step 23.
16. ONVIF Client retrieves a schedule info (in *scheduleToken*, out *scheduleInfoList*) by following the procedure mentioned in [Annex A.10](#).
17. If *scheduleInfoList*[0] item does not have equal field values to values from step 10, FAIL the test and go step 23.
18. ONVIF Client retrieves a complete schedule information list (out *scheduleInfoCompleteList*) by following the procedure mentioned in [Annex A.1](#).

19. If *scheduleInfoCompleteList* does not have *scheduleInfo[token = scheduleToken]* item with equal field values to values from step 10, FAIL the test and go step 23.
20. ONVIF Client retrieves a complete list of schedules (out *scheduleCompleteList*) by following the procedure mentioned in [Annex A.3](#).
21. If *scheduleCompleteList* does not have *schedule[token = scheduleToken]* item with equal field values to values from step 10, FAIL the test and go step 23.
22. ONVIF Client deletes the Schedule (in *scheduleToken*) by following the procedure mentioned in [Annex A.11](#) to restore DUT configuration.
23. If *SpecialDayGroup* was created at step 4, ONVIF Client deletes the *SpecialDayGroup* (in *specialDayGroupToken*) by following the procedure mentioned in [Annex A.12](#) to restore DUT configuration.
24. ONVIF Client sends an **Unsubscribe** to the subscription endpoint *s*.
25. The DUT responds with **UnsubscribeResponse** message.

**Test Result:****PASS –**

- The DUT passed all assertions.

**FAIL –**

- The DUT did not send **CreatePullPointSubscriptionResponse** message.
- The DUT did not send **ModifyScheduleResponse** message.
- The DUT did not send **PullMessagesResponse** message.
- The DUT did not send **UnsubscribeResponse** message.

**Note:** *operationDelay* will be taken from Operation Delay field of ONVIF Device Test Tool.

**Note:** The following fields are compared at steps 12, 18:

- Schedule:
  - token
  - Name
  - Description
  - Standard

- GroupToken
- TimeRange
  - From
  - Until

**Note:** The following fields are compared at step 16, 18:

- ScheduleInfo:
  - token
  - Name
  - Description

**Note:** For comparison Schedule.Standard field values the ONVIF Client compares all iCalendar fields each with other excluding UID field.

## 5.3.7 DELETE SCHEDULE

**Test Case ID:** SCHEDULE-3-1-7

**Specification Coverage:** ScheduleInfo (ONVIF Schedule Service Specification), Schedule (ONVIF Schedule Service Specification), DeleteSchedule command (ONVIF Schedule Service Specification)

**Feature Under Test:** DeleteSchedule

**WSDL Reference:** schedule.wsdl and event.wsdl

**Test Purpose:** To verify deleting of schedule and generating of appropriate notifications.

**Pre-Requisite:** Schedule Service is received from the DUT. Event Service is received from the DUT. Device supports Pull-Point Notification feature. The DUT shall have enough free storage capacity for one additional Schedule. The DUT shall have enough free storage capacity for one additional SpecialDayGroup if Special Days is supported by the DUT.

**Test Configuration:** ONVIF Client and DUT

**Test Sequence:**

1. Start an ONVIF Client.
2. Start the DUT.

3. ONVIF Client gets the service capabilities (out *cap*) by following the procedure mentioned in [Annex A.2](#).
4. ONVIF Client retrieves a complete list of schedules (out *scheduleCompleteList1*) by following the procedure mentioned in [Annex A.3](#).
5. ONVIF Client generates appropriate iCalendar value for the Schedule.Standard field (in *cap*, out *scheduleiCalendarValue*) by following the procedure mentioned in [Annex A.7](#).
6. ONVIF Client creates Schedule with Schedule token (out *scheduleToken*), with iCalendar value of the Schedule.Standard field (in *scheduleiCalendarValue*) and with skipped SpecialDayGroup by following the procedure mentioned in [Annex A.13](#).
7. ONVIF Client invokes **CreatePullPointSubscription** request with parameters
  - Filter.TopicExpression := "tns1:Configuration/Schedule/Removed"
8. The DUT responds with a **CreatePullPointSubscriptionResponse** message with parameters
  - SubscriptionReference =: *s*
  - CurrentTime =: *ct*
  - TerminationTime =: *tt*
9. ONVIF client invokes **DeleteSchedule** request with parameters
  - Schedule.token := "*scheduleToken*"
10. The DUT responds with **DeleteScheduleResponse** message.
11. Until *timeout1* timeout expires, repeat the following steps:
  - 11.1. ONVIF Client waits for time  $t := \min\{(tt-ct)/2, 1 \text{ second}\}$ .
  - 11.2. ONVIF Client invokes **PullMessages** to the subscription endpoint *s* request with parameters
    - Timeout := PT60S
    - MessageLimit := 1
  - 11.3. The DUT responds with **PullMessagesResponse** message with parameters
    - CurrentTime =: *ct*
    - TerminationTime =: *tt*

- NotificationMessage =: *m*
- 11.4. If *m* is not null and the TopicExpression item in *m* is not equal to "tns1:Configuration/Schedule/Removed", FAIL the test and go to the step 21.
  - 11.5. If *m* is not null and does not contain Source.SimpleItem item with Name =: "ScheduleToken" and Value =: *scheduleToken*, FAIL the test and go to the step 21.
  - 11.6. If *m* is not null and contains Source.SimpleItem item with Name =: "ScheduleToken" and Value =: *scheduleToken*, go to the step 12.
12. If *operationDelay* timeout expires for step 10 without Notification with ScheduleToken source simple item equal to *scheduleToken*, FAIL the test and go to the step 21.
  13. ONVIF Client retrieves a schedule (in *scheduleToken*, out *scheduleList*) by following the procedure mentioned in [Annex A.9](#).
  14. If *scheduleList* is not empty, FAIL the test and go step 21.
  15. ONVIF Client retrieves a schedule info (in *scheduleToken*, out *scheduleInfoList*) by following the procedure mentioned in [Annex A.10](#).
  16. If *scheduleInfoList* is not empty, FAIL the test and go step 21.
  17. ONVIF Client retrieves a complete schedule information list (out *scheduleInfoCompleteList*) by following the procedure mentioned in [Annex A.1](#).
  18. If *scheduleInfoCompleteList* contains scheduleInfo.[token = *scheduleToken*] item, FAIL the test and go step 21.
  19. ONVIF Client retrieves a complete list of schedules (out *scheduleCompleteList2*) by following the procedure mentioned in [Annex A.3](#).
  20. If *scheduleCompleteList2* contains schedule.[token = *scheduleToken*] item, FAIL the test and go step 20.
  21. For each Schedule.token (*token*) from *scheduleCompleteList1* do the following:
    - 21.1. If *scheduleCompleteList2* does not have *schedule*[token = *token*] item, FAIL the test and go step 21.
  22. ONVIF Client sends an **Unsubscribe** to the subscription endpoint *s*.
  23. The DUT responds with **UnsubscribeResponse** message.

**Test Result:**

**PASS –**

- The DUT passed all assertions.

**FAIL –**

- The DUT did not send **CreatePullPointSubscriptionResponse** message.
- The DUT did not send **DeleteScheduleResponse** message.
- The DUT did not send **PullMessagesResponse** message.
- The DUT did not send **UnsubscribeResponse** message.

**Note:** *operationDelay* will be taken from Operation Delay field of ONVIF Device Test Tool.

## 5.3.8 GET SCHEDULES WITH INVALID TOKEN

**Test Case ID:** SCHEDULE-3-1-8

**Specification Coverage:** Schedule (ONVIF Schedule Service Specification), GetSchedules command (ONVIF Schedule Service Specification)

**Feature Under Test:** GetSchedules

**WSDL Reference:** schedule.wsdl

**Test Purpose:** To verify Get Schedule with invalid token.

**Pre-Requisite:** Schedule Service is received from the DUT.

**Test Configuration:** ONVIF Client and DUT

**Test Sequence:**

1. Start an ONVIF Client.
2. Start the DUT.
3. ONVIF Client retrieves a complete list of schedule info (out *scheduleInfoCompleteList*) by following the procedure mentioned in [Annex A.1](#).
4. Set the following:
  - *invalidToken* := value not equal to any *scheduleInfoCompleteList.token*
5. ONVIF client invokes **GetSchedules** request with parameters
  - Token list := *invalidToken*



6. The DUT responds with **GetSchedulesResponse** message with parameters
  - Schedule list =: *schedulesList*
7. If *schedulesList* is not empty, FAIL the test.
8. If *scheduleInfoCompleteList* is empty, skip other steps.
9. ONVIF Client gets the service capabilities (out *cap*) by following the procedure mentioned in [Annex A.2](#).
10. If *cap.MaxLimit* is less than 2, skip other steps.
11. ONVIF client invokes **GetScheduleInfo** request with parameters
  - Token[0]:= *invalidToken*
  - Token[1]:= *scheduleInfoCompleteList[0].token*
12. The DUT responds with **GetScheduleInfoResponse** message with parameters
  - ScheduleInfo list =: *schedulesList*
13. If *schedulesList* is empty, FAIL the test.
14. If *schedulesList* contains more than one item, FAIL the test.
15. If *schedulesList[0].token* is not equal to *scheduleInfoCompleteList[0].token*, FAIL the test.

**Test Result:****PASS –**

- The DUT passed all assertions.

**FAIL –**

- The DUT did not send **GetSchedulesResponse** message.

## 5.3.9 GET SCHEDULE - TOO MANY ITEMS

**Test Case ID:** SCHEDULE-3-1-9**Specification Coverage:** Schedule (ONVIF Schedule Service Specification), GetSchedules command (ONVIF Schedule Service Specification)**Feature Under Test:** GetSchedules**WSDL Reference:** schedule.wsdl

**Test Purpose:** To verify Get Schedule in case there are more items than MaxLimit in request.

**Pre-Requisite:** Schedule Service is received from the DUT.

**Test Configuration:** ONVIF Client and DUT

**Test Sequence:**

1. Start an ONVIF Client.
2. Start the DUT.
3. ONVIF Client retrieves a complete list of schedules (out *scheduleCompleteList*) by following the procedure mentioned in [Annex A.3](#).
4. ONVIF Client gets the service capabilities (out *cap*) by following the procedure mentioned in [Annex A.2](#).
5. If *scheduleCompleteList.token* items number is less than *cap.MaxLimit* or equal to *cap.MaxLimit*, skip other steps.
6. Set the following:
  - *tokenList* := [subset of *scheduleInfoCompleteList.token* values with items number equal to *cap.MaxLimit* + 1]
7. ONVIF client invokes **GetSchedules** request with parameters
  - Token list := *tokenList*
8. The DUT returns **env:SenderInter:InvalidArgsInter:TooManyItems** SOAP 1.2 fault.

**Test Result:**

**PASS –**

- The DUT passed all assertions.

**FAIL –**

- The DUT did not send **env:SenderInter:InvalidArgsInter:TooManyItems** SOAP 1.2 fault

## 5.3.10 CREATE SCHEDULE - NOT EMPTY SCHEDULE TOKEN

**Test Case ID:** SCHEDULE-3-1-10

**Specification Coverage:** CreateSchedule command (ONVIF Schedule Service Specification)

**Feature Under Test:** CreateSchedule

**WSDL Reference:** schedule.wsdl

**Test Purpose:** To verify Create Schedule with not empty token.

**Pre-Requirement:** Schedule Service is received from the DUT. The DUT shall have enough free storage capacity for one additional Schedule.

**Test Configuration:** ONVIF Client and DUT

**Test Sequence:**

1. Start an ONVIF Client.
2. Start the DUT.
3. ONVIF Client gets the service capabilities (out *cap*) by following the procedure mentioned in [Annex A.2](#).
4. ONVIF Client generates appropriate iCalendar value for the Schedule.Standard field (in *cap*, out *scheduleiCalendarValue*) by following the procedure mentioned in [Annex A.7](#).
5. ONVIF client invokes **CreateSchedule** request with parameters
  - Schedule.token := "ScheduleToken"
  - Schedule.Description := "Test Description"
  - Schedule.Name := "Test Name"
  - Schedule.Standard := *scheduleiCalendarValue*
  - Schedule.SpecialDays skipped
6. The DUT returns **env:SenderTer:InvalidArgVal** SOAP 1.2 fault.

**Test Result:**

**PASS –**

- The DUT passed all assertions.

**FAIL –**

- The DUT did not send **env:SenderTer:InvalidArgVal** SOAP 1.2 fault.

## 5.3.11 CREATE SCHEDULE - TOO MANY TIME PERIODS PER DAY

**Test Case ID:** SCHEDULE-3-1-11

**Specification Coverage:** CreateSchedule command (ONVIF Schedule Service Specification)

**Feature Under Test:** CreateSchedule

**WSDL Reference:** schedule.wsdl

**Test Purpose:** To verify Create Schedule with maximum number of time periods per day and with to many time periods per day.

**Pre-Requisite:** Schedule Service is received from the DUT. The DUT shall have enough free storage capacity for one additional Schedule.

**Test Configuration:** ONVIF Client and DUT

**Test Sequence:**

1. Start an ONVIF Client.
2. Start the DUT.
3. ONVIF Client gets the service capabilities (out *cap*) by following the procedure mentioned in [Annex A.2](#).
4. If MaxTimePeriodsPerDay is equal to one, go to step 10.
5. Set the following:
  - numberPeriodsPerDay := *cap*.MaxTimePeriodsPerDay
6. ONVIF Client generates appropriate iCalendar value for the Schedule.Standard field (in *cap*, out *scheduleiCalendarValue*) with maximum number of time periods per day (in *numberPeriodsPerDay*) by following the procedure mentioned in [Annex A.17](#).
7. ONVIF client invokes **CreateSchedule** request with parameters
  - Schedule.token := ""
  - Schedule.Description := "Test Description"
  - Schedule.Name := "Test Name"
  - Schedule.Standard := *scheduleiCalendarValue*

- Schedule.SpecialDays skipped
8. The DUT responds with **CreateScheduleResponse** message with parameters
    - Token =: *scheduleToken*
  9. ONVIF Client deletes the Schedule (in *scheduleToken*) by following the procedure mentioned in [Annex A.11](#) to restore DUT configuration.
  10. If *cap.MaxTimePeriodsPerDay* value is more than 720, skip other steps.
  11. Set the following:
    - *numberPeriodsPerDay* := *cap.MaxTimePeriodsPerDay* + 1
  12. ONVIF Client generates appropriate iCalendar value for the Schedule.Standard field (in *cap*, out *scheduleiCalendarValue*) with too many number of time periods per day (in *numberPeriodsPerDay*) by following the procedure mentioned in [Annex A.17](#).
  13. ONVIF client invokes **CreateSchedule** request with parameters
    - Schedule.token := ""
    - Schedule.Description := "Test Description"
    - Schedule.Name := "Test Name"
    - Schedule.Standard := *scheduleiCalendarValue*
    - Schedule.SpecialDays skipped
  14. The DUT returns **env:Sender\ter: CapabilityViolated\ter:MaxTimePeriodsPerDay** SOAP 1.2 fault.

**Test Result:****PASS –**

- The DUT passed all assertions.

**FAIL –**

- The DUT did not send **CreateScheduleResponse** to schedule creation with maximum number of time periods per day
- The DUT did not send **env:Sender\ter: CapabilityViolated\ter:MaxTimePeriodsPerDay** SOAP 1.2 fault to schedule creation with too many time periods per day.

**Note:** If the DUT sends other SOAP 1.2 fault message than specified, log WARNING message, and PASS the test.

## 5.3.12 CREATE SCHEDULE - INVALID TIME RANGE INTERVAL

**Test Case ID:** SCHEDULE-3-1-12

**Specification Coverage:** TimePeriod (ONVIF Schedule Service Specification), CreateSchedule command (ONVIF Schedule Service Specification)

**Feature Under Test:** CreateSchedule

**WSDL Reference:** schedule.wsdl

**Test Purpose:** To verify Create Schedule with time range interval where the end time is less than the start time.

**Pre-Requirement:** Schedule Service is received from the DUT. The DUT shall have enough free storage capacity for one additional Schedule. Special Days is supported by the DUT as indicated by the Capabilities.SpecialDaysSupported. The DUT shall have enough free storage capacity for one additional SpecialDayGroup.

**Test Configuration:** ONVIF Client and DUT

**Test Sequence:**

1. Start an ONVIF Client.
2. Start the DUT.
3. ONVIF Client gets the service capabilities (out *cap*) by following the procedure mentioned in [Annex A.2](#).
4. ONVIF Client creates SpecialDayGroup (out *specialDayGroupToken*) by following the procedure mentioned in [Annex A.8](#).
5. ONVIF Client generates appropriate iCalendar value for the Schedule.Standard field (in *cap*, out *scheduleiCalendarValue*) by following the procedure mentioned in [Annex A.7](#).
6. ONVIF client invokes **CreateSchedule** request with parameters
  - Schedule.token := ""
  - Schedule.Description := "Test Description"

- Schedule.Name := "Test Name"
  - Schedule.Standard := *scheduleCalendarValue*
  - Schedule.SpecialDays.GroupToken := specialDayGroupToken
  - Schedule.SpecialDays.TimeRange.From := "10:00:00"
  - Schedule.SpecialDays.TimeRange.Until := "09:00:00"
7. The DUT returns **env:SenderTerInvalidArgVal** SOAP 1.2 fault.
  8. ONVIF Client deletes the SpecialDayGroup (in *specialDayGroupToken*) by following the procedure mentioned in [Annex A.12](#) to restore DUT configuration.

**Test Result:****PASS –**

- The DUT passed all assertions.

**FAIL –**

- The DUT did not send **env:SenderTerInvalidArgVal** SOAP 1.2 fault.

**Note:** If the DUT sends other SOAP 1.2 fault message than specified, log WARNING message, and PASS the test.

### 5.3.13 MODIFY SCHEDULE WITH INVALID TOKEN

**Test Case ID:** SCHEDULE-3-1-13

**Specification Coverage:** ModifySchedule command (ONVIF Schedule Service Specification)

**Feature Under Test:** ModifySchedule

**WSDL Reference:** schedule.wsdl

**Test Purpose:** To verify modifying of schedule with invalid token.

**Pre-Requisite:** Schedule Service is received from the DUT.

**Test Configuration:** ONVIF Client and DUT

**Test Sequence:**

1. Start an ONVIF Client.

2. Start the DUT.
3. ONVIF Client gets the service capabilities (out *cap*) by following the procedure mentioned in [Annex A.2](#).
4. ONVIF Client retrieves a complete list of schedule info (out *scheduleInfoCompleteList*) by following the procedure mentioned in [Annex A.1](#).
5. ONVIF Client generates appropriate iCalendar value for the Schedule.Standard field (in *cap*, out *scheduleiCalendarValue*) by following the procedure mentioned in [Annex A.7](#).
6. Set the following:
  - *invalidToken* := value not equal to any *scheduleInfoCompleteList.token*
7. ONVIF client invokes **ModifySchedule** request with parameters
  - Schedule.token := *invalidToken*
  - Schedule.Name := "Test Name"
  - Schedule.Description := "Test Description"
  - Schedule.Standard := *scheduleiCalendarValue*
  - Schedule.SpecialDays skipped
8. The DUT returns **env:Sender\ter:InvalidArgVal\ter:NotFound** SOAP 1.2 fault.

**Test Result:****PASS –**

- The DUT passed all assertions.

**FAIL –**

- The DUT did not send **env:Sender\ter:InvalidArgVal\ter:NotFound** SOAP 1.2 fault

**Note:** If the DUT sends other SOAP 1.2 fault message than specified, log WARNING message, and PASS the test.

## 5.3.14 MODIFY SCHEDULE - TOO MANY TIME PERIODS PER DAY

**Test Case ID:** SCHEDULE-3-1-14



**Specification Coverage:** ModifySchedule command (ONVIF Schedule Service Specification)

**Feature Under Test:** ModifySchedule

**WSDL Reference:** schedule.wsdl

**Test Purpose:** To verify Modify Schedule with maximum number of time periods per day and with to many time periods per day.

**Pre-Requisite:** Schedule Service is received from the DUT. The DUT shall have enough free storage capacity for one additional Schedule.

**Test Configuration:** ONVIF Client and DUT

**Test Sequence:**

1. Start an ONVIF Client.
2. Start the DUT.
3. ONVIF Client gets the service capabilities (out *cap*) by following the procedure mentioned in [Annex A.2](#).
4. ONVIF Client generates appropriate iCalendar value for the Schedule.Standard field (in *cap*, out *scheduleiCalendarValue*) by following the procedure mentioned in [Annex A.7](#).
5. ONVIF Client creates Schedule with Schedule token (out *scheduleToken*), with iCalendar value of the Schedule.Standard field (in *scheduleiCalendarValue*) and with skipped SpecialDayGroup element by following the procedure mentioned in [Annex A.13](#).
6. If MaxTimePeriodsPerDay is equal to one, go to step 11.
7. Set the following:
  - *numberPeriodsPerDay* := *cap*.MaxTimePeriodsPerDay
8. ONVIF Client generates appropriate iCalendar value for the Schedule.Standard field (in *cap*, out *scheduleiCalendarValue*) with maximum number of time periods per day (in *numberPeriodsPerDay*) by following the procedure mentioned in [Annex A.17](#).
9. ONVIF client invokes **ModifySchedule** request with parameters
  - Schedule.token := *scheduleToken*
  - Schedule.Description := "Test Description"
  - Schedule.Name := "Test Name"

- Schedule.Standard := *scheduleiCalendarValue*
  - Schedule.SpecialDays skipped
10. The DUT responds with **ModifyScheduleResponse** message
11. If *cap.MaxTimePeriodsPerDay* value is more than 720, go to step 16.
12. Set the following:
- *numberPeriodsPerDay* := *cap.MaxTimePeriodsPerDay* + 1
13. ONVIF Client generates appropriate iCalendar value for the Schedule.Standard field (in *cap*, out *scheduleiCalendarValue*) with too many number of time periods per day (in *numberPeriodsPerDay*) by following the procedure mentioned in [Annex A.17](#).
14. ONVIF client invokes **ModifySchedule** request with parameters
- Schedule.token := *scheduleToken*
  - Schedule.Description := "Test Description"
  - Schedule.Name := "Test Name"
  - Schedule.Standard := *scheduleiCalendarValue*
  - Schedule.SpecialDays skipped
15. The DUT returns **env:Sender\ter: CapabilityViolated\ter:MaxTimePeriodsPerDay** SOAP 1.2 fault.
16. ONVIF Client deletes the Schedule (in *scheduleToken*) by following the procedure mentioned in [Annex A.11](#) to restore DUT configuration.

**Test Result:****PASS –**

- The DUT passed all assertions.

**FAIL –**

- The DUT did not send **ModifyScheduleResponse** to schedule modifying with maximum number of time periods per day
- The DUT did not send **env:Sender\ter: CapabilityViolated\ter:MaxTimePeriodsPerDay** SOAP 1.2 fault to schedule modifying with too many time periods per day.

**Note:** If the DUT sends other SOAP 1.2 fault message than specified, log WARNING message, and PASS the test.

## 5.3.15 MODIFY SCHEDULE - INVALID TIME RANGE INTERVAL

**Test Case ID:** SCHEDULE-3-1-15

**Specification Coverage:** TimePeriod (ONVIF Schedule Service Specification), ModifySchedule command (ONVIF Schedule Service Specification)

**Feature Under Test:** ModifySchedule

**WSDL Reference:** schedule.wsdl

**Test Purpose:** To verify Modify Schedule with time range interval where the end time is less than the start time.

**Pre-Requisite:** Schedule Service is received from the DUT. The DUT shall have enough free storage capacity for one additional Schedule. Special Days is supported by the DUT as indicated by the Capabilities.SpecialDaysSupported. The DUT shall have enough free storage capacity for one additional SpecialDayGroup.

**Test Configuration:** ONVIF Client and DUT

### Test Sequence:

1. Start an ONVIF Client.
2. Start the DUT.
3. ONVIF Client gets the service capabilities (out *cap*) by following the procedure mentioned in [Annex A.2](#).
4. ONVIF Client creates SpecialDayGroup (out *specialDayGroupToken*) by following the procedure mentioned in [Annex A.8](#).
5. ONVIF Client generates appropriate iCalendar value for the Schedule.Standard field (in *cap*, out *scheduleiCalendarValue*) by following the procedure mentioned in [Annex A.7](#).
6. ONVIF Client creates Schedule with Schedule token (out *scheduleToken*), with iCalendar value of the Schedule.Standard field (in *scheduleiCalendarValue*) and with SpecialDayGroupToken (in *specialDayGroupToken*) by following the procedure mentioned in [Annex A.13](#).

7. ONVIF client invokes **ModifySchedule** request with parameters
  - Schedule.token := *scheduleToken*
  - Schedule.Description := "Test Description"
  - Schedule.Name := "Test Name"
  - Schedule.Standard := *scheduleCalendarValue*
  - Schedule.SpecialDays.GroupToken := *specialDayGroupToken*
  - Schedule.SpecialDays.TimeRange.From := "10:00:00"
  - Schedule.SpecialDays.TimeRange.Until := "09:00:00"
8. The DUT returns **env:SenderTerInvalidArgVal** SOAP 1.2 fault.
9. ONVIF Client deletes the Schedule (in *scheduleToken*) by following the procedure mentioned in [Annex A.11](#) to restore DUT configuration.
10. ONVIF Client deletes the SpecialDayGroup (in *specialDayGroupToken*) by following the procedure mentioned in [Annex A.12](#) to restore DUT configuration.

**Test Result:****PASS –**

- The DUT passed all assertions.

**FAIL –**

- The DUT did not send **env:SenderTerInvalidArgVal** SOAP 1.2 fault.

**Note:** If the DUT sends other SOAP 1.2 fault message than specified, log WARNING message, and PASS the test.

## 5.3.16 DELETE SCHEDULE WITH INVALID TOKEN

**Test Case ID:** SCHEDULE-3-1-16

**Specification Coverage:** DeleteSchedule command (ONVIF Schedule Service Specification)

**Feature Under Test:** DeleteSchedule

**WSDL Reference:** schedule.wsdl

**Test Purpose:** To verify deleting of schedule with invalid token.

**Pre-Requirement:** Schedule Service is received from the DUT.

**Test Configuration:** ONVIF Client and DUT

**Test Sequence:**

1. Start an ONVIF Client.
2. Start the DUT.
3. ONVIF Client retrieves a complete list of schedule info (out *scheduleInfoCompleteList*) by following the procedure mentioned in [Annex A.1](#).
4. Set the following:
  - *invalidToken* := value not equal to any *scheduleInfoCompleteList.token*
5. ONVIF Client invokes **DeleteSchedule** request with parameters
  - Token := *invalidToken*
6. The DUT returns **env:SenderTerminates:InvalidArgument:ReferenceNotFound** SOAP 1.2 fault.

**Test Result:**

**PASS –**

- The DUT passed all assertions.

**FAIL –**

- The DUT did not send **env:SenderTerminates:InvalidArgument:ReferenceNotFound** SOAP 1.2 fault.

**Note:** If the DUT sends other SOAP 1.2 fault message than specified, log WARNING message, and PASS the test.

## 5.3.17 SET NEW SCHEDULE

**Test Case ID:** SCHEDULE-3-1-17

**Specification Coverage:** ScheduleInfo (ONVIF Schedule Service Specification), Schedule (ONVIF Schedule Service Specification), SetSchedule command (ONVIF Schedule Service Specification)

**Feature Under Test:** SetSchedule, tns1:Configuration/Schedule/Changed

**WSDL Reference:** schedule.wsdl and event.wsdl

**Test Purpose:** To verify creation of schedule using SetSchedule command and generating of appropriate notifications.

**Pre-Requisite:** Schedule Service is received from the DUT. Event Service is received from the DUT. Device supports Pull-Point Notification feature. Client Supplied Token is supported by the DUT. The DUT shall have enough free storage capacity for one additional Schedule. The DUT shall have enough free storage capacity for one additional SpecialDayGroup, if Special Days is supported by the DUT.

**Test Configuration:** ONVIF Client and DUT

**Test Sequence:**

1. Start an ONVIF Client.
2. Start the DUT.
3. ONVIF Client retrieves Schedule Service Capabilities by following the procedure mentioned in [Annex A.2](#) with the following input and output parameters
  - out *cap* - Schedule Service capabilities
4. ONVIF Client retrieves complete list of schedules by following the procedure mentioned in [Annex A.3](#) with the following input and output parameters
  - out *initialScheduleCompleteList* - schedule complete list
5. If *cap.SpecialDaysSupported* = true:
  - 5.1. ONVIF Client creates special day group by following the procedure mentioned in [Annex A.8](#) with the following input and output parameters
    - out *specialDayGroupToken* - token of new special day group
6. ONVIF Client generates appropriate iCalendar value for the Schedule.Standard field by following the procedure mentioned in [Annex A.7](#) with the following input and output parameters
  - in *cap* - Schedule Service capabilities
  - out *scheduleiCalendarValue* - iCalendar value for the Schedule.Standard field
7. Set *scheduleToken* := token that differs from tokens listed in *initialScheduleCompleteList*.
8. ONVIF Client creates PullPoint subscription for the specified topic by following the procedure mentioned in [Annex A.18](#) with the following input and output parameters
  - in **tns1:Configuration/Schedule/Changed** - Notification Topic

- out *s* - Subscription reference
  - out *currentTime* - current time for the DUT
  - out *terminationTime* - Subscription termination time
9. Set *schedule* :=
- Schedule.token := *scheduleToken*
  - Schedule.Description := "Test Description"
  - Schedule.Name := "Test Name"
  - Schedule.Standard := *scheduleCalendarValue*
  - If *cap.SpecialDaysSupported* = true:
    - Schedule.SpecialDays.GroupToken := *specialDayGroupToken*
    - Schedule.SpecialDays.TimeRange.From := "22:00:00"
    - Schedule.SpecialDays.TimeRange.Until := "23:00:00"
  - otherwise:
    - Schedule.SpecialDays is skipped
10. ONVIF client invokes **SetSchedule** request with parameters
- Schedule := *schedule*
11. The DUT responds with **SetScheduleResponse** message.
12. ONVIF Client retrieves and checks **tns1:Configuration/Schedule/Changed** event for the specified Schedule token by following the procedure mentioned in [Annex A.20](#) with the following input and output parameters
- in *s* - Subscription reference
  - in *currentTime* - current time for the DUT
  - in *terminationTime* - subscription termination time
  - in *scheduleToken* - Schedule token
13. ONVIF Client deletes PullPoint subscription by following the procedure mentioned in [Annex A.19](#) with the following input and output parameters

- in *s* - Subscription reference
14. ONVIF Client retrieves a schedule by following the procedure mentioned in [Annex A.9](#) with the following input and output parameters
    - in *scheduleToken* - schedule token
    - out *scheduleList* - the list of schedules
  15. If *scheduleList*[0] item does not have equal to *schedule*, FAIL the test, restore the DUT state, and skip other steps.
  16. ONVIF Client retrieves a schedule info by following the procedure mentioned in [Annex A.10](#) with the following input and output parameters
    - in *scheduleToken* - schedule token
    - out *scheduleInfoList* - the list of schedules info
  17. If *scheduleInfoList*[0] item does not have equal fields with *schedule*, FAIL the test, restore the DUT state, and skip other steps.
  18. ONVIF Client retrieves complete list of schedules info by following the procedure mentioned in [Annex A.1](#) with the following input and output parameters
    - out *scheduleInfoCompleteList* - schedule info complete list
  19. If *scheduleInfoCompleteList* does not have *ScheduleInfo*[token = *scheduleToken*] item with equal fields with *schedule*, FAIL the test, restore the DUT state, and skip other steps.
  20. ONVIF Client retrieves complete list of schedules by following the procedure mentioned in [Annex A.3](#) with the following input and output parameters
    - out *scheduleCompleteList* - schedule complete list
  21. If *scheduleCompleteList* does not have *Schedule*[token = *scheduleToken*] item with equal fields with *schedule*, FAIL the test, restore the DUT state, and skip other steps.
  22. For each *Schedule.token* (*token*) from *initialScheduleCompleteList* do the following:
    - 22.1. If *scheduleCompleteList* does not have *Schedule*[token = *token*] item, FAIL the test, restore the DUT state, and skip other steps.
  23. ONVIF Client deletes the Schedule by following the procedure mentioned in [Annex A.11](#) with the following input and output parameters
    - in *scheduleToken* - schedule token



24. If *cap.SpecialDaysSupported* = true:

24.1. ONVIF Client deletes special day group by following the procedure mentioned in [Annex A.12](#) with the following input and output parameters

- in *specialDayGroupToken* - special day group token

**Test Result:**

**PASS –**

- The DUT passed all assertions.

**FAIL –**

- The DUT did not send **SetScheduleResponse** message.

**Note:** The following fields are compared at steps [15](#) and [21](#):

- Schedule:
  - token
  - Name
  - Description
  - Standard (ONVIF Client compares all iCalendar fields each with other excluding UID field)
  - SpecialDays
    - GroupToken
    - TimeRange
      - From
      - Until

**Note:** The following fields are compared at step [17](#) and [19](#):

- ScheduleInfo:
  - token
  - Name
  - Description

## 5.3.18 SET SCHEDULE

**Test Case ID:** SCHEDULE-3-1-18

**Specification Coverage:** ScheduleInfo (ONVIF Schedule Service Specification), Schedule (ONVIF Schedule Service Specification), SetSchedule command (ONVIF Schedule Service Specification)

**Feature Under Test:** SetSchedule, tns1:Configuration/Schedule/Changed

**WSDL Reference:** schedule.wsdl and event.wsdl

**Test Purpose:** To verify modifying of schedule using SetSchedule command and generating of appropriate notifications.

**Pre-Requisite:** Schedule Service is received from the DUT. Event Service is received from the DUT. Device supports Pull-Point Notification feature. Client Supplied Token is supported by the DUT. The DUT shall have enough free storage capacity for one additional Schedule. The DUT shall have enough free storage capacity for one additional SpecialDayGroup if Special Days is supported by the DUT.

**Test Configuration:** ONVIF Client and DUT

**Test Sequence:**

1. Start an ONVIF Client.
2. Start the DUT.
3. ONVIF Client retrieves Schedule Service Capabilities by following the procedure mentioned in [Annex A.2](#) with the following input and output parameters
  - out *cap* - Schedule Service capabilities
4. ONVIF Client generates appropriate iCalendar value for the Schedule.Standard field by following the procedure mentioned in [Annex A.7](#) with the following input and output parameters
  - in *cap* - Schedule Service capabilities
  - out *scheduleiCalendarValue* - iCalendar value for the Schedule.Standard field
5. If *cap.SpecialDaysSupported* = true:
  - 5.1. ONVIF Client creates special day group by following the procedure mentioned in [Annex A.8](#) with the following input and output parameters

- out *specialDayGroupToken* - token of new special day group
6. ONVIF Client creates schedule by following the procedure mentioned in [Annex A.13](#) with the following input and output parameters
    - out *scheduleToken* - token of new schedule
    - in *scheduleiCalendarValue* - iCalendar value for the Schedule.Standard field
    - in *specialDayGroupToken* - special day group token
  7. Set *scheduleiCalendarValue* := *scheduleiCalendarValue* with changed "hour" in DTSTART and DTEND (increase hour values by 1)
  8. ONVIF Client creates PullPoint subscription for the specified topic by following the procedure mentioned in [Annex A.18](#) with the following input and output parameters
    - in **tns1:Configuration/Schedule/Changed** - Notification Topic
    - out *s* - Subscription reference
    - out *currentTime* - current time for the DUT
    - out *terminationTime* - Subscription termination time
  9. Set *schedule* :=
    - Schedule.token := *scheduleToken*
    - Schedule.Description := "Test Description2"
    - Schedule.Name := "Test Name2"
    - Schedule.Standard := *scheduleiCalendarValue*
    - Schedule.SpecialDays is skipped
  10. The DUT responds with **SetScheduleResponse** message.
  11. ONVIF Client retrieves and checks **tns1:Configuration/Schedule/Changed** event for the specified Schedule token by following the procedure mentioned in [Annex A.20](#) with the following input and output parameters
    - in *s* - Subscription reference
    - in *currentTime* - current time for the DUT
    - in *terminationTime* - subscription termination time

- in *scheduleToken* - Schedule token
12. ONVIF Client deletes PullPoint subscription by following the procedure mentioned in [Annex A.19](#) with the following input and output parameters
- in *s* - Subscription reference
13. ONVIF Client retrieves a schedule by following the procedure mentioned in [Annex A.9](#) with the following input and output parameters
- in *scheduleToken* - schedule token
  - out *scheduleList* - the list of schedules
14. If *scheduleList*[0] item does not have equal to *schedule*, FAIL the test, restore the DUT state, and skip other steps.
15. ONVIF Client retrieves a schedule info by following the procedure mentioned in [Annex A.10](#) with the following input and output parameters
- in *scheduleToken* - schedule token
  - out *scheduleInfoList* - the list of schedules info
16. If *scheduleInfoList*[0] item does not have equal fields with *schedule*, FAIL the test, restore the DUT state, and skip other steps.
17. ONVIF Client retrieves complete list of schedules info by following the procedure mentioned in [Annex A.1](#) with the following input and output parameters
- out *scheduleInfoCompleteList* - schedule info complete list
18. If *scheduleInfoCompleteList* does not have *ScheduleInfo*[token = *scheduleToken*] item with equal fields with *schedule*, FAIL the test, restore the DUT state, and skip other steps.
19. ONVIF Client retrieves complete list of schedules by following the procedure mentioned in [Annex A.3](#) with the following input and output parameters
- out *scheduleCompleteList* - schedule complete list
20. If *scheduleCompleteList* does not have *Schedule*[token = *scheduleToken*] item with equal fields with *schedule*, FAIL the test, restore the DUT state, and skip other steps.
21. ONVIF Client deletes the Schedule by following the procedure mentioned in [Annex A.11](#) with the following input and output parameters
- in *scheduleToken* - schedule token

22. If *cap.SpecialDaysSupported* = true:

22.1. ONVIF Client deletes special day group by following the procedure mentioned in [Annex A.12](#) with the following input and output parameters

- in *specialDayGroupToken* - special day group token

**Test Result:**

**PASS –**

- The DUT passed all assertions.

**FAIL –**

- The DUT did not send **SetScheduleResponse** message.

**Note:** The following fields are compared at steps [14](#) and [20](#):

- Schedule:
  - token
  - Name
  - Description
  - Standard (ONVIF Client compares all iCalendar fields each with other excluding UID field)
  - SpecialDays
    - GroupToken
    - TimeRange
      - From
      - Until

**Note:** The following fields are compared at step [16](#) and [18](#):

- ScheduleInfo:
  - token
  - Name
  - Description

## 5.4 Special Day Group Info

### 5.4.1 GET SPECIAL DAY GROUP INFO

**Test Case ID:** SCHEDULE-4-1-1

**Specification Coverage:** SpecialDayGroupInfo (ONVIF Schedule Service Specification), GetSpecialDayGroupInfo command (ONVIF Schedule Service Specification)

**Feature Under Test:** GetSpecialDayGroupInfo

**WSDL Reference:** schedule.wsdl

**Test Purpose:** To verify Get Special Day Group Info.

**Pre-Requisite:** Schedule Service is received from the DUT. Special Days is supported by the DUT as indicated by the Capabilities.SpecialDaysSupported.

**Test Configuration:** ONVIF Client and DUT

**Test Sequence:**

1. Start an ONVIF Client.
2. Start the DUT.
3. ONVIF Client retrieves a complete list of special day group information (out *specialDayGroupInfoCompleteList*) by following the procedure mentioned in [Annex A.4](#).
4. If *specialDayGroupInfoCompleteList* is empty, skip other steps.
5. ONVIF Client gets the service capabilities (out *cap*) by following the procedure mentioned in [Annex A.2](#).
6. Set the following:
  - *tokenList* := [subset of *specialDayGroupInfoCompleteList.token* values with items number equal to *cap.MaxLimit*]
7. ONVIF client invokes **GetSpecialDayGroupInfo** request with parameters
  - Token list := *tokenList*
8. The DUT responds with **GetSpecialDayGroupInfoResponse** message with parameters
  - SpecialDayGroupInfo list =: *specialDayGroupInfoList1*
9. If *specialDayGroupInfoList1* does not contain SpecialDayGroupInfo item for each token from *tokenList*, FAIL the test and skip other steps.

10. If *specialDayGroupInfoList1* contains at least two *SpecialDayGroupInfo* items with equal token, FAIL the test and skip other steps.
11. If *specialDayGroupInfoList1* contains other *SpecialDayGroupInfo* items than listed in *tokenList*, FAIL the test and skip other steps.
12. For each *SpecialDayGroupInfo.token token* from *specialDayGroupInfoCompleteList* repeat the following steps:
  - 12.1. ONVIF client invokes **GetSpecialDayGroupInfo** request with parameters
    - Token[0] := *token*
  - 12.2. The DUT responds with **GetSpecialDayGroupInfoResponse** message with parameters
    - *SpecialDayGroupInfo* list := *specialDayGroupInfoList2*
  - 12.3. If *specialDayGroupInfoList2* does not contain only one *SpecialDayGroupInfo* item with token equal to *token*, FAIL the test and skip other steps.
  - 12.4. If *specialDayGroupInfoList2*[0] item is not equal to *specialDayGroupInfoCompleteList*[token = *token*] item, FAIL the test and skip other steps.

**Test Result:****PASS –**

- The DUT passed all assertions.

**FAIL –**

- The DUT did not send **GetSpecialDayGroupInfoResponse** message.

**Note:** If number of items in *specialDayGroupInfoCompleteList* is less than *cap.MaxLimit*, then all *specialDayGroupInfoCompleteList.Token* items shall be used for the step 6.

**Note:** The following fields are compared at step 12.4:

- *SpecialDayGroupInfo*:
  - token
  - Name
  - Description

## 5.4.2 GET SPECIAL DAY GROUP INFO LIST - LIMIT

**Test Case ID:** SCHEDULE-4-1-2

**Specification Coverage:** SpecialDayGroupInfo (ONVIF Schedule Service Specification), GetSpecialDayGroupInfoList command (ONVIF Schedule Service Specification)

**Feature Under Test:** GetSpecialDayGroupInfoList

**WSDL Reference:** schedule.wsdl

**Test Purpose:** To verify Get Special Day Group Info List using Limit.

**Pre-Requisite:** Schedule Service is received from the DUT. Special Days is supported by the DUT as indicated by the Capabilities.SpecialDaysSupported.

**Test Configuration:** ONVIF Client and DUT

**Test Sequence:**

1. Start an ONVIF Client.
2. Start the DUT.
3. ONVIF Client gets the service capabilities (out *cap*) by following the procedure mentioned in [Annex A.2](#).
4. ONVIF client invokes **GetSpecialDayGroupInfoList** request with parameters
  - Limit :=1
  - StartReference skipped
5. The DUT responds with **GetSpecialDayGroupInfoListResponse** message with parameters
  - NextStartReference =: *nextStartReference*
  - SpecialDayGroupInfo list =: *specialDayGroupInfoList1*
6. If *specialDayGroupInfoList1* contains more SpecialDayGroupInfo items than 1, FAIL the test and skip other steps.
7. If *cap.MaxLimit* is equal to 1, skip other steps.
8. ONVIF client invokes **GetSpecialDayGroupInfoList** request with parameters
  - Limit := *cap.MaxLimit*
  - StartReference skipped



9. The DUT responds with **GetSpecialDayGroupInfoListResponse** message with parameters
  - NextStartReference =: *nextStartReference*
  - SpecialDayGroupInfo list =: *specialDayGroupInfoList2*
10. If *specialDayGroupInfoList2* contains more SpecialDayGroupInfo items than *cap.MaxLimit*, FAIL the test and skip other steps.
11. If *cap.MaxLimit* is equal to 2, skip other steps.
12. Set the following:
  - *limit* := [number between 1 and *cap.MaxLimit*]
13. ONVIF client invokes **GetSpecialDayGroupInfoList** request with parameters
  - Limit := *limit*
  - StartReference skipped
14. The DUT responds with **GetSpecialDayGroupInfoListResponse** message with parameters
  - NextStartReference =: *nextStartReference*
  - SpecialDayGroupInfo list =: *specialDayGroupInfoList3*
15. If *specialDayGroupInfoList3* contains more SpecialDayGroupInfo items than *limit*, FAIL the test and skip other steps.

**Test Result:****PASS –**

- The DUT passed all assertions.

**FAIL –**

- The DUT did not send **GetSpecialDayGroupInfoListResponse** message.

### 5.4.3 GET SPECIAL DAY GROUP INFO LIST - START REFERENCE AND LIMIT

**Test Case ID:** SCHEDULE-4-1-3

**Specification Coverage:** SpecialDayGroupInfo (ONVIF Schedule Service Specification), GetSpecialDayGroupInfoList command (ONVIF Schedule Service Specification)

**Feature Under Test:** GetSpecialDayGroupInfoList

**WSDL Reference:** schedule.wsdl

**Test Purpose:** To verify Get Special Day Group Info List using StartReference and Limit.

**Pre-Requisite:** Schedule Service is received from the DUT. Special Days is supported by the DUT as indicated by the Capabilities.SpecialDaysSupported.

**Test Configuration:** ONVIF Client and DUT

**Test Sequence:**

1. Start an ONVIF Client.
2. Start the DUT.
3. ONVIF Client gets the service capabilities (out *cap*) by following the procedure mentioned in [Annex A.2](#).
4. ONVIF client invokes **GetSpecialDayGroupInfoList** request with parameters
  - Limit := *cap.MaxLimit*
  - StartReference skipped
5. The DUT responds with **GetSpecialDayGroupInfoListResponse** message with parameters
  - NextStartReference =: *nextStartReference*
  - SpecialDayGroupInfo list =: *SpecialDayGroupInfoCompleteList1*
6. If *SpecialDayGroupInfoCompleteList1* contains more SpecialDayGroupInfo items than *cap.MaxLimit*, FAIL the test and skip other steps.
7. Until *nextStartReference* is not null, repeat the following steps:
  - 7.1. ONVIF client invokes **GetSpecialDayGroupInfoList** request with parameters
    - Limit := *cap.MaxLimit*
    - StartReference := *nextStartReference*
  - 7.2. The DUT responds with **GetSpecialDayGroupInfoListResponse** message with parameters

- NextStartReference =: *nextStartReference*
  - SpecialDayGroupInfo list =: *SpecialDayGroupInfoListPart*
- 7.3. If *SpecialDayGroupInfoListPart* contains more SpecialDayGroupInfo items than *cap.MaxLimit*, FAIL the test and skip other steps.
- 7.4. Set the following:
- *SpecialDayGroupInfoCompleteList1* := *SpecialDayGroupInfoCompleteList1* + *SpecialDayGroupInfoListPart*
8. If *SpecialDayGroupInfoCompleteList1* contains at least two SpecialDayGroupInfo item with equal token, FAIL the test and skip other steps.
9. If *cap.MaxLimit* is equal to 1, skip other steps.
10. ONVIF client invokes **GetSpecialDayGroupInfoList** request with parameters
- Limit := 1
  - StartReference skipped
11. The DUT responds with **GetSpecialDayGroupInfoListResponse** message with parameters
- NextStartReference =: *nextStartReference*
  - SpecialDayGroupInfo list =: *SpecialDayGroupInfoCompleteList2*
12. If *SpecialDayGroupInfoCompleteList2* contains more SpecialDayGroupInfo items than 1, FAIL the test and skip other steps.
13. Until *nextStartReference* is not null, repeat the following steps:
- 13.1. ONVIF client invokes **GetSpecialDayGroupInfoList** request with parameters
- Limit := 1
  - StartReference := *nextStartReference*
- 13.2. The DUT responds with **GetSpecialDayGroupInfoListResponse** message with parameters
- NextStartReference =: *nextStartReference*
  - SpecialDayGroupInfo list =: *SpecialDayGroupInfoListPart*

13.3. If *SpecialDayGroupInfoListPart* contains more *SpecialDayGroupInfo* items than 1, FAIL the test and skip other steps.

13.4. Set the following:

- $SpecialDayGroupInfoCompleteList2 := SpecialDayGroupInfoCompleteList2 + SpecialDayGroupInfoListPart$

14. If *SpecialDayGroupInfoCompleteList2* contains at least two *SpecialDayGroupInfo* item with equal token, FAIL the test and skip other steps.

15. If *SpecialDayGroupInfoCompleteList2* does not contain all *SpecialDayGroupInfo* items from *SpecialDayGroupInfoCompleteList1*, FAIL the test and skip other steps.

16. If *SpecialDayGroupInfoCompleteList2* contains *SpecialDayGroupInfo* item other than *SpecialDayGroupInfo* items from *SpecialDayGroupInfoCompleteList1*, FAIL the test and skip other steps.

17. If *cap.MaxLimit* is equal to 2, skip other steps.

18. Set the following:

- $limit := [number\ between\ 1\ and\ cap.MaxLimit]$

19. ONVIF client invokes **GetSpecialDayGroupInfoList** request with parameters

- $Limit := limit$
- StartReference skipped

20. The DUT responds with **GetSpecialDayGroupInfoListResponse** message with parameters

- $NextStartReference =: nextStartReference$
- *SpecialDayGroupInfo* list =: *SpecialDayGroupInfoCompleteList3*

21. If *SpecialDayGroupInfoCompleteList3* contains more *SpecialDayGroupInfo* items than *limit*, FAIL the test and skip other steps.

22. Until *nextStartReference* is not null, repeat the following steps:

22.1. ONVIF client invokes **GetSpecialDayGroupInfoList** request with parameters

- $Limit := limit$
- $StartReference := nextStartReference$

22.2. The DUT responds with **GetSpecialDayGroupInfoListResponse** message with parameters

- NextStartReference =: *nextStartReference*
- SpecialDayGroupInfo list =: *SpecialDayGroupInfoListPart*

22.3. If *SpecialDayGroupInfoListPart* contains more SpecialDayGroupInfo items than *limit*, FAIL the test and skip other steps.

22.4. Set the following:

- *SpecialDayGroupInfoCompleteList3* := *SpecialDayGroupInfoCompleteList3* + *SpecialDayGroupInfoListPart*

23. If *SpecialDayGroupInfoCompleteList3* contains at least two SpecialDayGroupInfo item with equal token, FAIL the test and skip other steps.

24. If *SpecialDayGroupInfoCompleteList3* does not contain all SpecialDayGroupInfo items from *SpecialDayGroupInfoCompleteList1*, FAIL the test and skip other steps.

25. If *SpecialDayGroupInfoCompleteList3* contains SpecialDayGroupInfo item other than SpecialDayGroupInfo items from *SpecialDayGroupInfoCompleteList1*, FAIL the test and skip other steps.

#### Test Result:

##### PASS –

- The DUT passed all assertions.

##### FAIL –

- The DUT did not send **GetSpecialDayGroupInfoListResponse** message.

## 5.4.4 GET SPECIAL DAY GROUP INFO LIST - NO LIMIT

**Test Case ID:** SCHEDULE-4-1-4

**Specification Coverage:** SpecialDayGroupInfo (ONVIF Schedule Service Specification), GetSpecialDayGroupInfoList command (ONVIF Schedule Service Specification)

**Feature Under Test:** GetSpecialDayGroupInfoList

**WSDL Reference:** schedule.wsdl

**Test Purpose:** To verify Get Special Day Group Info List without using Limit.

**Pre-Requirement:** Schedule Service is received from the DUT. Special Days is supported by the DUT as indicated by the Capabilities.SpecialDaysSupported.

**Test Configuration:** ONVIF Client and DUT

**Test Sequence:**

1. Start an ONVIF Client.
2. Start the DUT.
3. ONVIF Client gets the service capabilities (out *cap*) by following the procedure mentioned in [Annex A.2](#).
4. ONVIF client invokes **GetSpecialDayGroupInfoList** request with parameters
  - Limit skipped
  - StartReference skipped
5. The DUT responds with **GetSpecialDayGroupInfoListResponse** message with parameters
  - NextStartReference =: *nextStartReference*
  - SpecialDayGroupInfo list =: *SpecialDayGroupInfoCompleteList*
6. If *SpecialDayGroupInfoCompleteList* contains more SpecialDayGroupInfo items than *cap.MaxLimit*, FAIL the test and skip other steps.
7. Until *nextStartReference* is not null, repeat the following steps:
  - 7.1. ONVIF client invokes **GetSpecialDayGroupInfoList** request with parameters
    - Limit skipped
    - StartReference := *nextStartReference*
  - 7.2. The DUT responds with **GetSpecialDayGroupInfoListResponse** message with parameters
    - NextStartReference =: *nextStartReference*
    - SpecialDayGroupInfo list =: *SpecialDayGroupInfoListPart*
  - 7.3. If *SpecialDayGroupInfoListPart* contains more SpecialDayGroupInfo items than *cap.MaxLimit*, FAIL the test and skip other steps.
  - 7.4. Set the following:

- *SpecialDayGroupInfoCompleteList* := *SpecialDayGroupInfoCompleteList* + *SpecialDayGroupInfoListPart*

8. If *SpecialDayGroupInfoCompleteList* contains at least two *SpecialDayGroupInfo* item with equal token, FAIL the test and skip other steps.
9. If *SpecialDayGroupInfoCompleteList* contains more *SpecialDayGroupInfo* items than *cap.MaxSpecialDayGroups*, FAIL the test and skip other steps.

**Test Result:****PASS –**

- The DUT passed all assertions.

**FAIL –**

- The DUT did not send **GetSpecialDayGroupInfoListResponse** message.

## 5.4.5 GET SPECIAL DAY GROUP INFO WITH INVALID TOKEN

**Test Case ID:** SCHEDULE-4-1-5

**ONVIF Core Specification Coverage:** *SpecialDayGroupInfo* (ONVIF Schedule Service Specification), *GetSpecialDayGroupInfo* command (ONVIF Schedule Service Specification)

**Feature Under Test:** *GetSpecialDayGroupInfo*

**WSDL Reference:** schedule.wsdl

**Test Purpose:** To verify *Get Special Day Group Info* with invalid token.

**Pre-Requisite:** Schedule Service is received from the DUT. Special Days is supported by the DUT as indicated by the *Capabilities.SpecialDaysSupported*.

**Test Configuration:** ONVIF Client and DUT

**Test Sequence:**

1. Start an ONVIF Client.
2. Start the DUT.
3. ONVIF Client retrieves a complete list of special day group information (out *specialDayGroupInfoCompleteList*) by following the procedure mentioned in [Annex A.4](#).
4. Set the following:

- *invalidToken* := value not equal to any *SpecialDayGroupInfoCompleteList.token*
5. ONVIF client invokes **GetSpecialDayGroupInfo** request with parameters
    - Token list := *invalidToken*
  6. The DUT responds with **GetSpecialDayGroupInfoResponse** message with parameters
    - SpecialDayGroupInfo list =: *SpecialDayGroupInfoList*
  7. If *SpecialDayGroupInfoList* is not empty, FAIL the test.
  8. If *SpecialDayGroupInfoCompleteList* is empty, skip other steps.
  9. ONVIF Client gets the service capabilities (out *cap*) by following the procedure mentioned in [Annex A.2](#).
  10. If *cap.MaxLimit* is less than 2, skip other steps.
  11. ONVIF client invokes **GetSpecialDayGroupInfo** request with parameters
    - Token[0]:= *invalidToken*
    - Token[1]:= *SpecialDayGroupInfoCompleteList[0].token*
  12. The DUT responds with **GetSpecialDayGroupInfoResponse** message with parameters
    - SpecialDayGroupInfo list =: *SpecialDayGroupInfoList*
  13. If *SpecialDayGroupInfoList* is empty, FAIL the test.
  14. If *SpecialDayGroupInfoList* contains more than one item, FAIL the test.
  15. If *SpecialDayGroupInfoList[0].token* does not equal to *SpecialDayGroupInfoCompleteList[0].token*, FAIL the test.

**Test Result:****PASS –**

- The DUT passed all assertions.

**FAIL –**

- The DUT did not send **GetSpecialDayGroupInfoResponse** message.

## 5.4.6 GET SPECIAL DAY GROUP INFO - TOO MANY ITEMS

**Test Case ID:** SCHEDULE-4-1-6



**Specification Coverage:** SpecialDayGroupInfo (ONVIF Schedule Service Specification), GetSpecialDayGroupInfo command (ONVIF Schedule Service Specification)

**Feature Under Test:** GetSpecialDayGroupInfo

**WSDL Reference:** schedule.wsdl

**Test Purpose:** To verify Get Special Day Group Info in case there are more items than MaxLimit in request.

**Pre-Requisite:** Schedule Service is received from the DUT. Special Days is supported by the DUT as indicated by the Capabilities.SpecialDaysSupported.

**Test Configuration:** ONVIF Client and DUT

**Test Sequence:**

1. Start an ONVIF Client.
2. Start the DUT.
3. ONVIF Client retrieves a complete list of special day group information (out *specialDayGroupInfoCompleteList*) by following the procedure mentioned in [Annex A.4](#).
4. ONVIF Client gets the service capabilities (out *cap*) by following the procedure mentioned in [Annex A.2](#).
5. If *SpecialDayGroupInfoCompleteList.token* items number is less than *cap.MaxLimit* or equal to *cap.MaxLimit*, skip other steps.
6. Set the following:
  - *tokenList* := [subset of *SpecialDayGroupInfoCompleteList.token* values with items number equal to *cap.MaxLimit* + 1]
7. ONVIF client invokes **GetSpecialDayGroupInfo** request with parameters
  - Token list := *tokenList*
8. The DUT returns **env:SenderInter:InvalidArgsInter:TooManyItems** SOAP 1.2 fault.

**Test Result:**

**PASS –**

- The DUT passed all assertions.

**FAIL –**

- The DUT did not send **env:Sender:InvalidArgs:TooManyItems** SOAP 1.2 fault.

## 5.5 Special Day Group

### 5.5.1 GET SPECIAL DAY GROUPS

**Test Case ID:** SCHEDULE-5-1-1

**Specification Coverage:** SpecialDayGroup (ONVIF Schedule Service Specification), GetSpecialDayGroups command (ONVIF Schedule Service Specification)

**Feature Under Test:** GetSpecialDayGroups

**WSDL Reference:** schedule.wsdl

**Test Purpose:** To verify Get Special Day Groups.

**Pre-Requisite:** Schedule Service is received from the DUT. Special Days is supported by the DUT as indicated by the Capabilities.SpecialDaysSupported.

**Test Configuration:** ONVIF Client and DUT

**Test Sequence:**

1. Start an ONVIF Client.
2. Start the DUT.
3. ONVIF Client retrieves a complete list of Special Day Groups (out *specialDayGroupCompleteList*) by following the procedure mentioned in [Annex A.5](#).
4. If *specialDayGroupCompleteList* is empty, skip other steps.
5. ONVIF Client gets the service capabilities (out *cap*) by following the procedure mentioned in [Annex A.2](#).
6. Set the following:
  - *tokenList* := [subset of *specialDayGroupCompleteList.token* values with items number equal to *cap.MaxLimit*]
7. ONVIF client invokes **GetSpecialDayGroup** request with parameters
  - Token list := *tokenList*
8. The DUT responds with **GetSpecialDayGroupResponse** message with parameters
  - SpecialDayGroup list =: *specialDayGroupList1*

9. If *specialDayGroupList1* does not contain SpecialDayGroup item for each token from *tokenList*, FAIL the test and skip other steps.
10. If *specialDayGroupList1* contains at least two SpecialDayGroup items with equal token, FAIL the test and skip other steps.
11. If *specialDayGroupList1* contains other SpecialDayGroup items than listed in *tokenList*, FAIL the test and skip other steps.
12. For each SpecialDayGroup.token *token* from *specialDayGroupCompleteList* repeat the following steps:
  - 12.1. ONVIF client invokes **GetSpecialDayGroup** request with parameters
    - Token[0] := *token*
  - 12.2. The DUT responds with **GetSpecialDayGroupResponse** message with parameters
    - SpecialDayGroup list =: *specialDayGroupList2*
  - 12.3. If *specialDayGroupList2* does not contain only one SpecialDayGroup item with token equal to *token*, FAIL the test and skip other steps.
  - 12.4. If *specialDayGroupList2*[0] item is not equal to *specialDayGroupCompleteList*[token = *token*] item, FAIL the test and skip other steps.

**Test Result:****PASS –**

- The DUT passed all assertions.

**FAIL –**

- The DUT did not send **GetSpecialDayGroupResponse** message.

**Note:** If number of items in *specialDayGroupCompleteList* is less than *cap.MaxLimit*, then all *specialDayGroupCompleteList.Token* items shall be used for the step 6.

**Note:** The following fields are compared at step 12.4:

- SpecialDayGroup:
  - token
  - Name
  - Description

## 5.5.2 GET SPECIAL DAY GROUP LIST - LIMIT

**Test Case ID:** SCHEDULE-5-1-2

**Specification Coverage:** SpecialDayGroup (ONVIF Schedule Service Specification), GetSpecialDayGroupList command (ONVIF Schedule Service Specification)

**Feature Under Test:** GetSpecialDayGroupList

**WSDL Reference:** schedule.wsdl

**Test Purpose:** To verify Get SpecialDayGroup List using Limit.

**Pre-Requisite:** Schedule Service is received from the DUT. Special Days is supported by the DUT as indicated by the Capabilities.SpecialDaysSupported.

**Test Configuration:** ONVIF Client and DUT

**Test Sequence:**

1. Start an ONVIF Client.
2. Start the DUT.
3. ONVIF Client gets the service capabilities (out *cap*) by following the procedure mentioned in [Annex A.2](#).
4. ONVIF client invokes **GetSpecialDayGroupList** request with parameters
  - Limit :=1
  - StartReference skipped
5. The DUT responds with **GetSpecialDayGroupListResponse** message with parameters
  - NextStartReference =: *nextStartReference*
  - SpecialDayGroup list =: *specialDayGroupList1*
6. If *specialDayGroupList1* contains more SpecialDayGroup items than 1, FAIL the test and skip other steps.
7. If *cap.MaxLimit* is equal to 1, skip other steps.
8. ONVIF client invokes **GetSpecialDayGroupList** request with parameters
  - Limit := *cap.MaxLimit*

- StartReference skipped
9. The DUT responds with **GetSpecialDayGroupListResponse** message with parameters
- NextStartReference =: *nextStartReference*
  - SpecialDayGroup list =: *specialDayGroupList2*
10. If *specialDayGroupList2* contains more SpecialDayGroup items than *cap.MaxLimit*, FAIL the test and skip other steps.
11. If *cap.MaxLimit* is equal to 2, skip other steps.
12. Set the following:
- *limit* := [number between 1 and *cap.MaxLimit*]
13. ONVIF client invokes **GetSpecialDayGroupList** request with parameters
- Limit := *limit*
  - StartReference skipped
14. The DUT responds with **GetSpecialDayGroupListResponse** message with parameters
- NextStartReference =: *nextStartReference*
  - SpecialDayGroup list =: *specialDayGroupList3*
15. If *specialDayGroupList3* contains more SpecialDayGroup items than *limit*, FAIL the test and skip other steps.

**Test Result:****PASS –**

- The DUT passed all assertions.

**FAIL –**

- The DUT did not send **GetSpecialDayGroupListResponse** message.

### 5.5.3 GET SPECIAL DAY GROUP LIST - START REFERENCE AND LIMIT

**Test Case ID:** SCHEDULE-5-1-3

**Specification Coverage:** SpecialDayGroup (ONVIF Schedule Service Specification), GetSpecialDayGroupList command (ONVIF Schedule Service Specification)

**Feature Under Test:** GetSpecialDayGroupList

**WSDL Reference:** schedule.wsdl

**Test Purpose:** To verify Get SpecialDayGroup List using StartReference and Limit.

**Pre-Requisite:** Schedule Service is received from the DUT. Special Days is supported by the DUT as indicated by the Capabilities.SpecialDaysSupported.

**Test Configuration:** ONVIF Client and DUT

**Test Sequence:**

1. Start an ONVIF Client.
2. Start the DUT.
3. ONVIF Client gets the service capabilities (out *cap*) by following the procedure mentioned in [Annex A.2](#).
4. ONVIF client invokes **GetSpecialDayGroupList** request with parameters
  - Limit := *cap.MaxLimit*
  - StartReference skipped
5. The DUT responds with **GetSpecialDayGroupListResponse** message with parameters
  - NextStartReference =: *nextStartReference*
  - SpecialDayGroup list =: *SpecialDayGroupCompleteList1*
6. If *SpecialDayGroupCompleteList1* contains more SpecialDayGroup items than *cap.MaxLimit*, FAIL the test and skip other steps.
7. Until *nextStartReference* is not null, repeat the following steps:
  - 7.1. ONVIF client invokes **GetSpecialDayGroupList** request with parameters
    - Limit := *cap.MaxLimit*
    - StartReference := *nextStartReference*
  - 7.2. The DUT responds with **GetSpecialDayGroupListResponse** message with parameters

- NextStartReference =: *nextStartReference*
  - SpecialDayGroup list =: *SpecialDayGroupListPart*
- 7.3. If *SpecialDayGroupListPart* contains more SpecialDayGroup items than *cap.MaxLimit*, FAIL the test and skip other steps.
- 7.4. Set the following:
- *SpecialDayGroupCompleteList1* := *SpecialDayGroupCompleteList1* + *SpecialDayGroupListPart*
8. If *SpecialDayGroupCompleteList1* contains at least two SpecialDayGroup item with equal token, FAIL the test and skip other steps.
9. If *cap.MaxLimit* is equal to 1, do the following steps:
- 9.1. ONVIF Client retrieves a complete list of SpecialDayGroupInfo (out *specialDayGroupInfoCompleteList*) by following the procedure mentioned in [Annex A.4](#).
- 9.2. If *specialDayGroupCompleteList1* does not contain all tokens from *specialDayGroupInfoCompleteList*, FAIL the test and skip other steps.
- 9.3. If *specialDayGroupCompleteList1* contains tokens other than tokens from *specialDayGroupInfoCompleteList*, FAIL the test and skip other steps.
- 9.4. For each SpecialDayGroupInfo.token *token* from *specialDayGroupInfoCompleteList* repeat the following steps:
- 9.4.1. If *specialDayGroupCompleteList1*[token = *token*] item does not have equal field values to *specialDayGroupInfoCompleteList*[token = *token*] item, FAIL the test and skip other steps.
- 9.5. Skip other steps.
10. ONVIF client invokes **GetSpecialDayGroupList** request with parameters
- Limit := 1
  - StartReference skipped
11. The DUT responds with **GetSpecialDayGroupListResponse** message with parameters
- NextStartReference =: *nextStartReference*
  - SpecialDayGroup list =: *SpecialDayGroupCompleteList2*

12. If *SpecialDayGroupCompleteList2* contains more *SpecialDayGroup* items than 1, FAIL the test and skip other steps.
13. Until *nextStartReference* is not null, repeat the following steps:
  - 13.1. ONVIF client invokes **GetSpecialDayGroupList** request with parameters
    - Limit := 1
    - StartReference := *nextStartReference*
  - 13.2. The DUT responds with **GetSpecialDayGroupListResponse** message with parameters
    - NextStartReference =: *nextStartReference*
    - SpecialDayGroup list =: *SpecialDayGroupListPart*
  - 13.3. If *SpecialDayGroupListPart* contains more *SpecialDayGroup* items than 1, FAIL the test and skip other steps.
  - 13.4. Set the following:
    - *SpecialDayGroupCompleteList2* := *SpecialDayGroupCompleteList2* + *SpecialDayGroupListPart*
14. If *SpecialDayGroupCompleteList2* contains at least two *SpecialDayGroup* item with equal token, FAIL the test and skip other steps.
15. If *SpecialDayGroupCompleteList2* does not contain all *SpecialDayGroup* items from *SpecialDayGroupCompleteList1*, FAIL the test and skip other steps.
16. If *SpecialDayGroupCompleteList2* contains *SpecialDayGroup* item other than *SpecialDayGroup* items from *SpecialDayGroupCompleteList1*, FAIL the test and skip other steps.
17. If *cap.MaxLimit* is equal to 2, do the following steps:
  - 17.1. ONVIF Client retrieves a complete list of *SpecialDayGroupInfo* (out *specialDayGroupInfoCompleteList*) by following the procedure mentioned in [Annex A.4](#).
  - 17.2. If *specialDayGroupCompleteList2* does not contain all tokens from *specialDayGroupInfoCompleteList*, FAIL the test and skip other steps.
  - 17.3. If *specialDayGroupCompleteList2* contains tokens other than tokens from *specialDayGroupInfoCompleteList*, FAIL the test and skip other steps.



17.4. For each `SpecialDayGroupInfo.token` *token* from `specialDayGroupInfoCompleteList` repeat the following steps:

17.4.1. If `specialDayGroupCompleteList2[token = token]` item does not have equal field values to `specialDayGroupInfoCompleteList[token = token]` item, FAIL the test and skip other steps.

17.5. Skip other steps.

18. Set the following:

- *limit* := [number between 1 and `cap.MaxLimit`]

19. ONVIF client invokes **GetSpecialDayGroupList** request with parameters

- `Limit` := *limit*
- `StartReference` skipped

20. The DUT responds with **GetSpecialDayGroupListResponse** message with parameters

- `NextStartReference` =: *nextStartReference*
- `SpecialDayGroup` list =: `SpecialDayGroupCompleteList3`

21. If `SpecialDayGroupCompleteList3` contains more `SpecialDayGroup` items than *limit*, FAIL the test and skip other steps.

22. Until *nextStartReference* is not null, repeat the following steps:

22.1. ONVIF client invokes **GetSpecialDayGroupList** request with parameters

- `Limit` := *limit*
- `StartReference` := *nextStartReference*

22.2. The DUT responds with **GetSpecialDayGroupListResponse** message with parameters

- `NextStartReference` =: *nextStartReference*
- `SpecialDayGroup` list =: `SpecialDayGroupListPart`

22.3. If `SpecialDayGroupListPart` contains more `SpecialDayGroup` items than *limit*, FAIL the test and skip other steps.

22.4. Set the following:

- *SpecialDayGroupCompleteList3* := *SpecialDayGroupCompleteList3* + *SpecialDayGroupListPart*

23. If *SpecialDayGroupCompleteList3* contains at least two *SpecialDayGroup* item with equal token, FAIL the test and skip other steps.
24. If *SpecialDayGroupCompleteList3* does not contain all *SpecialDayGroup* items from *SpecialDayGroupCompleteList1*, FAIL the test and skip other steps.
25. If *SpecialDayGroupCompleteList3* contains *SpecialDayGroup* item other than *SpecialDayGroup* items from *SpecialDayGroupCompleteList1*, FAIL the test and skip other steps.
26. ONVIF Client retrieves a complete list of *SpecialDayGroupInfo* (out *specialDayGroupInfoCompleteList*) by following the procedure mentioned in [Annex A.4](#).
27. If *specialDayGroupCompleteList3* does not contain all tokens from *specialDayGroupInfoCompleteList*, FAIL the test and skip other steps.
28. If *specialDayGroupCompleteList2* contains tokens other than tokens from *specialDayGroupInfoCompleteList*, FAIL the test and skip other steps.
29. For each *SpecialDayGroupInfo.token token* from *specialDayGroupInfoCompleteList* repeat the following steps:
  - 29.1. If *specialDayGroupCompleteList3[token = token]* item does not have equal field values to *specialDayGroupInfoCompleteList[token = token]* item, FAIL the test and skip other steps.

#### Test Result:

##### PASS –

- The DUT passed all assertions.

##### FAIL –

- The DUT did not send **GetSpecialDayGroupListResponse** message.

**Note:** The following fields are compared at steps 9.4.1, 17.4.1, 29.1:

- *SpecialDayGroupInfo*:
  - token
  - Name

- Description

## 5.5.4 GET SPECIAL DAY GROUP LIST - NO LIMIT

**Test Case ID:** SCHEDULE-5-1-4

**Specification Coverage:** SpecialDayGroup (ONVIF Schedule Service Specification), GetSpecialDayGroupList command (ONVIF Schedule Service Specification)

**Feature Under Test:** GetSpecialDayGroupList

**WSDL Reference:** schedule.wsdl

**Test Purpose:** To verify Get SpecialDayGroup List without using Limit.

**Pre-Requirement:** Schedule Service is received from the DUT. Special Days is supported by the DUT as indicated by the Capabilities.SpecialDaysSupported.

**Test Configuration:** ONVIF Client and DUT

**Test Sequence:**

1. Start an ONVIF Client.
2. Start the DUT.
3. ONVIF Client gets the service capabilities (out *cap*) by following the procedure mentioned in [Annex A.2](#).
4. ONVIF client invokes **GetSpecialDayGroupList** request with parameters
  - Limit skipped
  - StartReference skipped
5. The DUT responds with **GetSpecialDayGroupListResponse** message with parameters
  - NextStartReference =: *nextStartReference*
  - SpecialDayGroup list =: *SpecialDayGroupCompleteList*
6. If *SpecialDayGroupCompleteList* contains more SpecialDayGroup items than *cap.MaxLimit*, FAIL the test and skip other steps.
7. Until *nextStartReference* is not null, repeat the following steps:
  - 7.1. ONVIF client invokes **GetSpecialDayGroupList** request with parameters

- Limit skipped
  - StartReference := nextStartReference
- 7.2. The DUT responds with **GetSpecialDayGroupListResponse** message with parameters
- NextStartReference =: nextStartReference
  - SpecialDayGroup list =: SpecialDayGroupListPart
- 7.3. If *SpecialDayGroupListPart* contains more SpecialDayGroup items than *cap.MaxLimit*, FAIL the test and skip other steps.
- 7.4. Set the following:
- *SpecialDayGroupCompleteList* := *SpecialDayGroupCompleteList* + *SpecialDayGroupListPart*
8. If *SpecialDayGroupCompleteList* contains at least two SpecialDayGroup item with equal token, FAIL the test.
9. ONVIF Client retrieves a complete list of SpecialDayGroupInfo (out *specialDayGroupInfoCompleteList*) by following the procedure mentioned in [Annex A.4](#).
10. If *specialDayGroupCompleteList* does not contain all tokens from *specialDayGroupInfoCompleteList*, FAIL the test and skip other steps.
11. If *specialDayGroupCompleteList* contains tokens other than tokens from *specialDayGroupInfoCompleteList*, FAIL the test and skip other steps.
12. For each SpecialDayGroupInfo.token *token* from *specialDayGroupInfoCompleteList* repeat the following steps:
- 12.1. If *specialDayGroupCompleteList*[token = *token*] item does not have equal field values to *specialDayGroupInfoCompleteList*[token = *token*] item, FAIL the test and skip other steps.

**Test Result:****PASS –**

- The DUT passed all assertions.

**FAIL –**

- The DUT did not send **GetSpecialDayGroupListResponse** message.

**Note:** The following fields are compared at steps 12.1:

- SpecialDayGroupInfo:
  - token
  - Name
  - Description

## 5.5.5 CREATE SPECIAL DAY GROUP

**Test Case ID:** SCHEDULE-5-1-5

**Specification Coverage:** SpecialDayGroup (ONVIF Schedule Service Specification), CreateSpecialDayGroup command (ONVIF Schedule Service Specification)

**Feature Under Test:** CreateSpecialDayGroup

**WSDL Reference:** schedule.wsdl and event.wsdl

**Test Purpose:** To verify creation of special day group and generating of appropriate notifications.

**Pre-Requisite:** Schedule Service is received from the DUT. Event Service is received from the DUT. Device supports Pull-Point Notification feature. Special Days is supported by the DUT as indicated by the Capabilities.SpecialDaysSupported. The DUT shall have enough free storage capacity for one additional SpecialDayGroup.

**Test Configuration:** ONVIF Client and DUT

**Test Sequence:**

1. Start an ONVIF Client.
2. Start the DUT.
3. ONVIF Client retrieves an initial complete list of SpecialDaysGroup (out *specialDayGroupCompleteList1*) by following the procedure mentioned in [Annex A.5](#).
4. ONVIF Client generates Unique Identifier value for UID field in iCalendar (out *uid*) by following the procedure mentioned in [Annex A.6](#).
5. Set the following:
  - *days* := "BEGIN:VCALENDAR  
BEGIN:VEVENT

SUMMARY:Test special days

DTSTART:<current year><current month><current day>T000000

DTEND:<the date of the next day>T000000

UID:*uid*

END:VEVENT

END:VCALENDAR"

6. ONVIF Client invokes **CreatePullPointSubscription** request with parameters
  - Filter.TopicExpression := "tns1:Configuration/SpecialDays/Changed"
7. The DUT responds with a **CreatePullPointSubscriptionResponse** message with parameters
  - SubscriptionReference =: *s*
  - CurrentTime =: *ct*
  - TerminationTime =: *tt*
8. ONVIF client invokes **CreateSpecialDayGroup** request with parameters
  - SpecialDayGroup.token := ""
  - SpecialDayGroup.Name := "Test SpecialDayGroup Name"
  - SpecialDayGroup.Description := "Test SpecialDayGroup Description"
  - SpecialDayGroup.Days := *days*
9. The DUT responds with **CreateSpecialDayGroupResponse** message with parameters
  - Token =: *SpecialDayGroupToken*
10. Until *timeout1* timeout expires, repeat the following steps:
  - 10.1. ONVIF Client waits for time  $t := \min\{(tt-ct)/2, 1 \text{ second}\}$ .
  - 10.2. ONVIF Client invokes **PullMessages** to the subscription endpoint *s* request with parameters
    - Timeout := PT60S

- MessageLimit := 1

10.3. The DUT responds with **PullMessagesResponse** message with parameters

- CurrentTime =: *ct*
- TerminationTime =: *tt*
- NotificationMessage =: *m*

10.4. If *m* is not null and the TopicExpression item in *m* is not equal to "tns1:Configuration/SpecialDays/Changed", FAIL the test and go to the step 21.

10.5. If *m* is not null and does not contain Source.SimpleItem item with Name =: "SpecialDaysToken" and Value =: *SpecialDayGroupToken*, FAIL the test and go to the step 21.

10.6. If *m* is not null and contains Source.SimpleItem item with Name =: "SpecialDayGroupToken" and Value =: *SpecialDayGroupToken*, go to the step 12.

11. If *operationDelay* timeout expires for step 10 without Notification with SpecialDaysToken source simple item equal to *specialDayGroupToken*, FAIL the test and go to the step 21.

12. ONVIF Client retrieves a SpecialDayGroup (in *specialDayGroupToken*, out *specialDayGroupList*) by following the procedure mentioned in [Annex A.14](#).

13. If *specialDayGroupList*[0] item does not have equal field values to values from step 8, FAIL the test and go step 21.

14. ONVIF Client retrieves a SpecialDayGroup info (in *specialDayGroupToken*, out *specialDayGroupInfoList*) by following the procedure mentioned in [Annex A.15](#).

15. If *specialDayGroupInfoList*[0] item does not have equal field values to values from step 8, FAIL the test and go step 21.

16. ONVIF Client retrieves a complete SpecialDayGroup information list (out *specialDayGroupInfoCompleteList*) by following the procedure mentioned in [Annex A.4](#).

17. If *specialDayGroupInfoCompleteList* does not have specialDayGroupInfo[token = *specialDayGroupToken*] item with equal field values to values from step 8, FAIL the test and go step 21.

18. ONVIF Client retrieves a complete list of SpecialDayGroups (out *specialDayGroupCompleteList2*) by following the procedure mentioned in [Annex A.5](#).

19. If *specialDayGroupCompleteList2* does not have SpecialDayGroup[token = *specialDayGroupToken*] item with equal field values to values from step 8, FAIL the test and go step 21.
20. For each SpecialDayGroup.token (*token*) from *specialDayGroupCompleteList1* do the following:
  - 20.1. If *specialDayGroupCompleteList2* does not have SpecialDayGroup[token = *token*] item, FAIL the test and go step 21.
21. ONVIF Client deletes the SpecialDayGroup (in *specialDayGroupToken*) by following the procedure mentioned in [Annex A.12](#) to restore DUT configuration.
22. ONVIF Client sends an **Unsubscribe** to the subscription endpoint *s*.
23. The DUT responds with **UnsubscribeResponse** message.

**Test Result:****PASS –**

- The DUT passed all assertions.

**FAIL –**

- The DUT did not send **CreatePullPointSubscriptionResponse** message.
- The DUT did not send **CreateSpecialDayGroupResponse** message.
- The DUT did not send **PullMessagesResponse** message.
- The DUT did not send **UnsubscribeResponse** message.

**Note:** *operationDelay* will be taken from Operation Delay field of ONVIF Device Test Tool.

**Note:** The following fields are compared at steps 13, 19:

- SpecialDayGroup:
  - token
  - Name
  - Description
  - Days

**Note:** The following fields are compared at step 15, 17:



- SpecialDayGroupInfo:
  - token
  - Name
  - Description

**Note:** For comparison SpecialDayGroup.Days field values the ONVIF Client compares all iCalendar fields each with other excluding UID field.

## 5.5.6 MODIFY SPECIAL DAY GROUP

**Test Case ID:** SCHEDULE-5-1-6

**Specification Coverage:** SpecialDayGroup (ONVIF Schedule Service Specification), ModifySpecialDayGroup command (ONVIF Schedule Service Specification)

**Feature Under Test:** ModifySpecialDayGroup

**WSDL Reference:** schedule.wsdl and event.wsdl

**Test Purpose:** To verify modifying of special day group and generating of appropriate notifications.

**Pre-Requisite:** Schedule Service is received from the DUT. Event Service is received from the DUT. Device supports Pull-Point Notification feature. Special Days is supported by the DUT as indicated by the Capabilities.SpecialDaysSupported. The DUT shall have enough free storage capacity for one additional SpecialDayGroup.

**Test Configuration:** ONVIF Client and DUT

**Test Sequence:**

1. Start an ONVIF Client.
2. Start the DUT.
3. ONVIF Client creates SpecialDayGroup (out *specialDayGroupToken*) with iCalendar value of Days field (out *days*) by following the procedure mentioned in [Annex A.8](#).
4. Set the following:
  - *days* := *days* with changed <day> value in DTSTART field (increase day value in one day) and with changed <day> value in DTEND field (increase day value in one day)
5. ONVIF Client invokes **CreatePullPointSubscription** request with parameters

- Filter.TopicExpression := "tns1:Configuration/SpecialDays/Changed"
6. The DUT responds with a **CreatePullPointSubscriptionResponse** message with parameters
    - SubscriptionReference =: *s*
    - CurrentTime =: *ct*
    - TerminationTime =: *tt*
  7. ONVIF client invokes **ModifySpecialDayGroup** request with parameters
    - SpecialDayGroup.token := "*SpecialDayGroupToken*"
    - SpecialDayGroup.Name := "Test SpecialDayGroup Name2"
    - SpecialDayGroup.Description := "Test SpecialDayGroup Description2"
    - SpecialDayGroup.Days := *days*
  8. The DUT responds with **ModifySpecialDayGroupResponse** message.
  9. Until *timeout1* timeout expires, repeat the following steps:
    - 9.1. ONVIF Client waits for time  $t := \min\{(tt-ct)/2, 1 \text{ second}\}$ .
    - 9.2. ONVIF Client invokes **PullMessages** to the subscription endpoint *s* request with parameters
      - Timeout := PT60S
      - MessageLimit := 1
    - 9.3. The DUT responds with **PullMessagesResponse** message with parameters
      - CurrentTime =: *ct*
      - TerminationTime =: *tt*
      - NotificationMessage =: *m*
    - 9.4. If *m* is not null and the TopicExpression item in *m* is not equal to "tns1:Configuration/SpecialDays/Changed", FAIL the test and go to the step 19.
    - 9.5. If *m* is not null and does not contain Source.SimpleItem item with Name =: "SpecialDaysToken" and Value =: *specialDayGroupToken*, FAIL the test and go to the step 19.

- 9.6. If *m* is not null and contains *Source.SimpleItem* item with *Name* =: "SpecialDaysToken" and *Value* =: *specialDayGroupToken*, go to the step 11.
10. If *operationDelay* timeout expires for step 9 without Notification with SpecialDaysToken source simple item equal to *specialDayGroupToken*, FAIL the test and go to the step 19.
11. ONVIF Client retrieves a SpecialDayGroup (in *SpecialDayGroupToken*, out *SpecialDayGroupList*) by following the procedure mentioned in [Annex A.14](#).
12. If *SpecialDayGroupList*[0] item does not have equal field values to values from step 7, FAIL the test and go step 19.
13. ONVIF Client retrieves a SpecialDayGroup info (in *specialDayGroupToken*, out *specialDayGroupInfoList*) by following the procedure mentioned in [Annex A.15](#).
14. If *SpecialDayGroupInfoList*[0] item does not have equal field values to values from step 7, FAIL the test and go step 19.
15. ONVIF Client retrieves a complete SpecialDayGroup information list (out *specialDayGroupInfoCompleteList*) by following the procedure mentioned in [Annex A.4](#).
16. If *specialDayGroupInfoCompleteList* does not have *specialDayGroupInfo*.*[token = specialDayGroupToken]* item with equal field values to values from step 7, FAIL the test and go step 19.
17. ONVIF Client retrieves a complete list of SpecialDayGroups (out *specialDayGroupCompleteList*) by following the procedure mentioned in [Annex A.5](#).
18. If *specialDayGroupCompleteList* does not have *specialDayGroup*.*[token = specialDayGroupToken]* item with equal field values to values from step 7, FAIL the test and go step 19.
19. ONVIF Client deletes the SpecialDayGroup (in *specialDayGroupToken*) by following the procedure mentioned in [Annex A.12](#) to restore DUT configuration.
20. ONVIF Client sends an **Unsubscribe** to the subscription endpoint *s*.
21. The DUT responds with **UnsubscribeResponse** message.

**Test Result:****PASS –**

- The DUT passed all assertions.

**FAIL –**

- The DUT did not send **CreatePullPointSubscriptionResponse** message.
- The DUT did not send **ModifySpecialDayGroupResponse** message.
- The DUT did not send **PullMessagesResponse** message.
- The DUT did not send **UnsubscribeResponse** message.

**Note:** *operationDelay* will be taken from Operation Delay field of ONVIF Device Test Tool.

**Note:** The following fields are compared at steps 12, 18:

- SpecialDayGroup:
  - token
  - Name
  - Description
  - Days

**Note:** The following fields are compared at step 14, 16:

- SpecialDayGroup:
  - token
  - Name
  - Description

**Note:** For comparison SpecialDayGroup.Days field values the ONVIF Client compares all iCalendar fields each with other excluding UID field.

## 5.5.7 DELETE SPECIAL DAY GROUP

**Test Case ID:** SCHEDULE-5-1-7

**Specification Coverage:** SpecialDayGroup (ONVIF Schedule Service Specification), DeleteSpecialDayGroup command (ONVIF Schedule Service Specification)

**Feature Under Test:** DeleteSpecialDayGroup

**WSDL Reference:** schedule.wsdl and event.wsdl

**Test Purpose:** To verify deleting of special day group and generating of appropriate notifications.

**Pre-Requirement:** Schedule Service is received from the DUT. Event Service is received from the DUT. Device supports Pull-Point Notification feature. Special Days is supported by the DUT as indicated by the Capabilities.SpecialDaysSupported. The DUT shall have enough free storage capacity for one additional SpecialDayGroup.

**Test Configuration:** ONVIF Client and DUT

**Test Sequence:**

1. Start an ONVIF Client.
2. Start the DUT.
3. ONVIF Client retrieves an initial complete list of SpecialDaysGroup (out *specialDayGroupsCompleteList1*) by following the procedure mentioned in [Annex A.5](#).
4. ONVIF Client creates SpecialDayGroup (out *specialDayGroupToken*) by following the procedure mentioned in [Annex A.8](#).
5. ONVIF Client invokes **CreatePullPointSubscription** request with parameters
  - Filter.TopicExpression := "tns1:Configuration/SpecialDays/Removed"
6. The DUT responds with a **CreatePullPointSubscriptionResponse** message with parameters
  - SubscriptionReference =: *s*
  - CurrentTime =: *ct*
  - TerminationTime =: *tt*
7. ONVIF client invokes **DeleteSpecialDayGroup** request with parameters
  - Token := "*specialDayGroupToken*"
8. The DUT responds with **DeleteSpecialDayGroupResponse** message.
9. Until *timeout1* timeout expires, repeat the following steps:
  - 9.1. ONVIF Client waits for time  $t := \min\{(tt-ct)/2, 1 \text{ second}\}$ .
  - 9.2. ONVIF Client invokes **PullMessages** to the subscription endpoint *s* request with parameters
    - Timeout := PT60S
    - MessageLimit := 1

- 9.3. The DUT responds with **PullMessagesResponse** message with parameters
- CurrentTime =: *ct*
  - TerminationTime =: *tt*
  - NotificationMessage =: *m*
- 9.4. If *m* is not null and the TopicExpression item in *m* is not equal to "tns1:Configuration/SpecialDays/Removed", FAIL the test and go to the step 20.
- 9.5. If *m* is not null and does not contain Source.SimpleItem item with Name =: "SpecialDaysToken" and Value =: *specialDayGroupToken*, FAIL the test and go to the step 20.
- 9.6. If *m* is not null and contains Source.SimpleItem item with Name =: "SpecialDaysToken" and Value =: *SpecialDayGroupToken*, go to the step 11.
10. If *operationDelay* timeout expires for step 9 without Notification with SpecialDaysToken source simple item equal to *specialDayGroupToken*, FAIL the test and go to the step 20.
11. ONVIF Client retrieves a SpecialDayGroup (in *specialDayGroupToken*, out *specialDayGroupList*) by following the procedure mentioned in [Annex A.14](#).
12. If *specialDayGroupList* is not empty, FAIL the test and go step 20.
13. ONVIF Client retrieves a SpecialDayGroup info (in *specialDayGroupToken*, out *specialDayGroupInfoList*) by following the procedure mentioned in [Annex A.15](#).
14. If *SpecialDayGroupInfoList* is not empty, FAIL the test and go step 20.
15. ONVIF Client retrieves a complete SpecialDayGroup information list (out *specialDayGroupInfoCompleteList*) by following the procedure mentioned in [Annex A.4](#).
16. If *specialDayGroupInfoCompleteList* contains *specialDayGroupInfo*.[token = *specialDayGroupToken*] item, FAIL the test and go step 20.
17. ONVIF Client retrieves a complete list of SpecialDayGroups (out *specialDayGroupCompleteList2*) by following the procedure mentioned in [Annex A.5](#).
18. If *SpecialDayGroupCompleteList2* contains SpecialDayGroup.[token = *SpecialDayGroupToken*] item, FAIL the test and go step 20.
19. For each SpecialDayGroup.token (*token*) from *SpecialDayGroupCompleteList1* do the following:

19.1. If *SpecialDayGroupCompleteList2* does not have *SpecialDayGroup[token = token]* item, FAIL the test and go step 20.

20. ONVIF Client sends an **Unsubscribe** to the subscription endpoint s.

21. The DUT responds with **UnsubscribeResponse** message.

**Test Result:**

**PASS –**

- The DUT passed all assertions.

**FAIL –**

- The DUT did not send **CreatePullPointSubscriptionResponse** message.
- The DUT did not send **DeleteSpecialDayGroupResponse** message.
- The DUT did not send **PullMessagesResponse** message.
- The DUT did not send **UnsubscribeResponse** message.

**Note:** *operationDelay* will be taken from Operation Delay field of ONVIF Device Test Tool.

## 5.5.8 GET SPECIAL DAY GROUPS WITH INVALID TOKEN

**Test Case ID:** SCHEDULE-5-1-8

**ONVIF Core Specification Coverage:** SpecialDayGroup (ONVIF Schedule Service Specification), GetSpecialDayGroups command (ONVIF Schedule Service Specification)

**Feature Under Test:** GetSpecialDayGroups

**WSDL Reference:** schedule.wsdl

**Test Purpose:** To verify Get Special Day Groups with invalid token.

**Pre-Requisite:** Schedule Service is received from the DUT. Special Days is supported by the DUT as indicated by the Capabilities.SpecialDaysSupported.

**Test Configuration:** ONVIF Client and DUT

**Test Sequence:**

1. Start an ONVIF Client.
2. Start the DUT.

3. ONVIF Client retrieves a complete list of special day group information (out *specialDayGroupInfoCompleteList*) by following the procedure mentioned in [Annex A.4](#).
4. Set the following:
  - *invalidToken* := value not equal to any *specialDayGroupInfoCompleteList.token*
5. ONVIF client invokes **GetSpecialDayGroups** request with parameters
  - Token list := *invalidToken*
6. The DUT responds with **GetSpecialDayGroupsResponse** message with parameters
  - SpecialDayGroup list =: *SpecialDayGroupList*
7. If *SpecialDayGroupList* is not empty, FAIL the test.
8. If *specialDayGroupInfoCompleteList* is empty, skip other steps.
9. ONVIF Client gets the service capabilities (out *cap*) by following the procedure mentioned in [Annex A.2](#).
10. If *cap.MaxLimit* is less than 2, skip other steps.
11. ONVIF client invokes **GetSpecialDayGroups** request with parameters
  - Token[0]:= *invalidToken*
  - Token[1]:= *SpecialDayGroupCompleteList[0].token*
12. The DUT responds with **GetSpecialDayGroupsResponse** message with parameters
  - SpecialDayGroup list =: *SpecialDayGroupList*
13. If *SpecialDayGroupList* is empty, FAIL the test.
14. If *SpecialDayGroupList* contains more than one item, FAIL the test.
15. If *SpecialDayGroupList[0].token* does not equal to *SpecialDayGroupCompleteList[0].token*, FAIL the test.

**Test Result:****PASS –**

- The DUT passed all assertions.

**FAIL –**

- The DUT did not send **GetSpecialDayGroupsResponse** message.



## 5.5.9 GET SPECIAL DAY GROUPS - TOO MANY ITEMS

**Test Case ID:** SCHEDULE-5-1-9

**Specification Coverage:** SpecialDayGroups (ONVIF Schedule Service Specification), GetSpecialDayGroups command (ONVIF Schedule Service Specification)

**Feature Under Test:** GetSpecialDayGroups

**WSDL Reference:** schedule.wsdl

**Test Purpose:** To verify Get Special Day Groups in case there are more items than MaxLimit in request.

**Pre-Requisite:** Schedule Service is received from the DUT. Special Days is supported by the DUT as indicated by the Capabilities.SpecialDaysSupported.

**Test Configuration:** ONVIF Client and DUT

**Test Sequence:**

1. Start an ONVIF Client.
2. Start the DUT.
3. ONVIF Client retrieves a complete list of special day group information (out *specialDayGroupInfoCompleteList*) by following the procedure mentioned in [Annex A.4](#).
4. ONVIF Client gets the service capabilities (out *cap*) by following the procedure mentioned in [Annex A.2](#).
5. If *specialDayGroupInfoCompleteList.token* items number is less than *cap.MaxLimit* or equal to *cap.MaxLimit*, skip other steps.
6. Set the following:
  - *tokenList* := [subset of *SpecialDayGroupCompleteList.token* values with items number equal to *cap.MaxLimit* + 1]
7. ONVIF client invokes **GetSpecialDayGroup** request with parameters
  - Token list := *tokenList*
8. The DUT returns **env:SenderInter:InvalidArgsInter:TooManyItems** SOAP 1.2 fault.

**Test Result:**

**PASS –**

- The DUT passed all assertions.

**FAIL –**

- The DUT did not send **env:SenderInter:InvalidArgsInter:TooManyItems** SOAP 1.2 fault.

## 5.5.10 CREATE SPECIAL DAY GROUP - NOT EMPTY SPECIAL DAY GROUP TOKEN

**Test Case ID:** SCHEDULE-5-1-10

**Specification Coverage:** SpecialDayGroup (ONVIF Schedule Service Specification), CreateSpecialDayGroup command (ONVIF Schedule Service Specification)

**Feature Under Test:** CreateSpecialDayGroup

**WSDL Reference:** schedule.wsdl

**Test Purpose:** To verify creation of special day group with not empty token.

**Pre-Requisite:** Schedule Service is received from the DUT. Special Days is supported by the DUT as indicated by the Capabilities.SpecialDaysSupported. The DUT shall have enough free storage capacity for one additional SpecialDayGroup.

**Test Configuration:** ONVIF Client and DUT

**Test Sequence:**

1. Start an ONVIF Client.
2. Start the DUT.
3. ONVIF Client generates Unique Identifier value for UID field in iCalendar (out *uid*) by following the procedure mentioned in [Annex A.6](#).
4. Set the following:
  - *days* := "BEGIN:VCALENDAR  
BEGIN:VEVENT  
SUMMARY:Test special days  
DTSTART:<current year><current month><current day>T000000  
DTEND:<the date of the next day>T000000

UID:*uid*

END:VEVENT

END:VCALENDAR"

5. ONVIF client invokes **CreateSpecialDayGroup** request with parameters

- SpecialDayGroup.token := "SpecialDayGroupToken"
- SpecialDayGroup.Name := "Test SpecialDayGroup Name"
- SpecialDayGroup.Description := "Test SpecialDayGroup Description"
- SpecialDayGroup.Days := *days*

6. The DUT returns **env:SenderTerminates:InvalidArgVal** SOAP 1.2 fault.

**Test Result:**

**PASS –**

- The DUT passed all assertions.

**FAIL –**

- The DUT did not send **env:SenderTerminates:InvalidArgVal** SOAP 1.2 fault.

## 5.5.11 MODIFY SPECIAL DAY GROUP WITH INVALID TOKEN

**Test Case ID:** SCHEDULE-5-1-11

**Specification Coverage:** ModifySpecialDayGroup command (ONVIF Schedule Service Specification)

**Feature Under Test:** ModifySpecialDayGroup

**WSDL Reference:** schedule.wsdl

**Test Purpose:** To verify modifying of special day group with invalid token.

**Pre-Requirement:** Schedule Service is received from the DUT. Special Days is supported by the DUT as indicated by the Capabilities.SpecialDaysSupported.

**Test Configuration:** ONVIF Client and DUT

**Test Sequence:**

1. Start an ONVIF Client.
2. Start the DUT.
3. ONVIF Client retrieves a complete list of special day group information (out *specialDayGroupInfoCompleteList*) by following the procedure mentioned in [Annex A.4](#).
4. ONVIF Client generates Unique Identifier value for UID field in iCalendar (out *uid*) by following the procedure mentioned in [Annex A.6](#).
5. Set the following:
  - *days* := "BEGIN:VCALENDAR  
  
BEGIN:VEVENT  
  
SUMMARY:Test special days  
  
DTSTART:<current year><current month><current day>T000000  
  
DTEND:<the date of the next day>T000000  
  
UID:*uid*  
  
END:VEVENT  
  
END:VCALENDAR"
6. Set the following:
  - *invalidToken* := value not equal to any *specialDayGroupInfoCompleteList.token*
7. ONVIF client invokes **ModifySpecialDayGroup** request with parameters
  - SpecialDayGroup.token := *invalidToken*
  - SpecialDayGroup.Name := "Test SpecialDayGroup Name"
  - SpecialDayGroup.Description := "Test SpecialDayGroup Description"
  - SpecialDayGroup.Days := *days*
8. The DUT returns **env:SenderTerInvalidArgVal\ter:NotFound** SOAP 1.2 fault.

**Test Result:****PASS –**

- The DUT passed all assertions.

**FAIL –**

- The DUT did not send **env:SenderTerminates:InvalidArgument:NotFound** SOAP 1.2 fault

**Note:** If the DUT sends other SOAP 1.2 fault message than specified, log WARNING message, and PASS the test.

## 5.5.12 DELETE SPECIAL DAY GROUP WITH INVALID TOKEN

**Test Case ID:** SCHEDULE-5-1-12

**Specification Coverage:** DeleteSpecialDayGroup command (ONVIF Schedule Service Specification)

**Feature Under Test:** DeleteSpecialDayGroup

**WSDL Reference:** schedule.wsdl

**Test Purpose:** To verify deleting of special day group with invalid token.

**Pre-Requisite:** Schedule Service is received from the DUT. Special Days is supported by the DUT as indicated by the Capabilities.SpecialDaysSupported.

**Test Configuration:** ONVIF Client and DUT

**Test Sequence:**

1. Start an ONVIF Client.
2. Start the DUT.
3. ONVIF Client retrieves a complete list of special day group information (out *specialDayGroupInfoCompleteList*) by following the procedure mentioned in [Annex A.4](#).
4. Set the following:
  - *invalidToken* := value not equal to any *specialDayGroupInfoCompleteList.token*
5. ONVIF Client invokes **DeleteSpecialDayGroup** request with parameters
  - Token := *invalidToken*
6. The DUT returns **env:SenderTerminates:InvalidArgument:NotFound** SOAP 1.2 fault.

**Test Result:**

**PASS –**

- The DUT passed all assertions.

**FAIL –**

- The DUT did not send **env:SenderTerInvalidArgValter:NotFound** SOAP 1.2 fault

**Note:** If the DUT sends other SOAP 1.2 fault message than specified, log WARNING message, and PASS the test.

## 5.5.13 SET NEW SPECIAL DAY GROUP

**Test Case ID:** SCHEDULE-5-1-13

**Specification Coverage:** SpecialDayGroup (ONVIF Schedule Service Specification), SetSpecialDayGroup command (ONVIF Schedule Service Specification)

**Feature Under Test:** SetSpecialDayGroup, tns1:Configuration/SpecialDays/Changed

**WSDL Reference:** schedule.wsdl and event.wsdl

**Test Purpose:** To verify creation of special day group using SetSpecialDayGroup command and generating of appropriate notifications.

**Pre-Requisite:** Schedule Service is received from the DUT. Event Service is received from the DUT. Device supports Pull-Point Notification feature. Special Days is supported by the DUT as indicated by the Capabilities.SpecialDaysSupported. Client Supplied Token is supported by the DUT. The DUT shall have enough free storage capacity for one additional SpecialDayGroup.

**Test Configuration:** ONVIF Client and DUT

**Test Sequence:**

1. Start an ONVIF Client.
2. Start the DUT.
3. ONVIF Client retrieves complete list of special day groups by following the procedure mentioned in [Annex A.5](#) with the following input and output parameters
  - out *initialSpecialDayGroupCompleteList* - special day group list
4. ONVIF Client generates unique identifier value for UID field of iCalendar by following the procedure mentioned in [Annex A.6](#) with the following input and output parameters
  - out *uid* - unique identifier value

5. Set *days* :=
  - "BEGIN:VCALENDAR  
BEGIN:VEVENT  
SUMMARY:Test special days  
DTSTART:<current year><current month><current day>T000000  
DTEND:<the date of the next day>T000000  
UID:*uid*  
END:VEVENT  
END:VCALENDAR"
6. Set *specialDayGroupToken* := token that differs from tokens listed in *initialSpecialDayGroupCompleteList*.
7. ONVIF Client creates PullPoint subscription for the specified topic by following the procedure mentioned in [Annex A.18](#) with the following input and output parameters
  - in **tns1:Configuration/SpecialDays/Changed** - Notification Topic
  - out *s* - Subscription reference
  - out *currentTime* - current time for the DUT
  - out *terminationTime* - Subscription termination time
8. Set *specialDayGroup* :=
  - SpecialDayGroup.token := *specialDayGroupToken*
  - SpecialDayGroup.Name := "Test SpecialDayGroup Name"
  - SpecialDayGroup.Description := "Test SpecialDayGroup Description"
  - SpecialDayGroup.Days := *days*
  - SpecialDayGroup.Extension is skipped
9. ONVIF client invokes **SetSpecialDayGroup** request with parameters
  - SpecialDayGroup := *specialDayGroup*
10. The DUT responds with **SetSpecialDayGroupResponse** message.

11. ONVIF Client retrieves and checks **tns1:Configuration/SpecialDays/Changed** event for the specified Special Days Group token by following the procedure mentioned in [Annex A.21](#) with the following input and output parameters
  - in *s* - Subscription reference
  - in *currentTime* - current time for the DUT
  - in *terminationTime* - subscription termination time
  - in *specialDayGroupToken* - special day group token
12. ONVIF Client deletes PullPoint subscription by following the procedure mentioned in [Annex A.19](#) with the following input and output parameters
  - in *s* - Subscription reference
13. ONVIF Client retrieves a special day group by following the procedure mentioned in [Annex A.14](#) with the following input and output parameters
  - in *specialDayGroupToken* - special day group token
  - out *specialDayGroupList* - the list of special day groups
14. If *specialDayGroupList*[0] item does not have equal to *specialDayGroup*, FAIL the test, restore the DUT state, and skip other steps.
15. ONVIF Client retrieves a special day group info by following the procedure mentioned in [Annex A.15](#) with the following input and output parameters
  - in *specialDayGroupToken* - special day group token
  - out *specialDayGroupInfoList* - the list of special day groups info
16. If *specialDayGroupInfoList*[0] item does not have equal fields with *specialDayGroup*, FAIL the test, restore the DUT state, and skip other steps.
17. ONVIF Client retrieves complete list of special day groups info by following the procedure mentioned in [Annex A.4](#) with the following input and output parameters
  - out *specialDayGroupInfoCompleteList* - special day group info complete list
18. If *specialDayGroupInfoCompleteList* does not have SpecialDayGroupInfo[token = *specialDayGroupToken*] item with equal fields with *specialDayGroup*, FAIL the test, restore the DUT state, and skip other steps.
19. ONVIF Client retrieves complete list of special day groups by following the procedure mentioned in [Annex A.5](#) with the following input and output parameters



- out *specialDayGroupCompleteList* - special day group complete list
20. If *specialDayGroupCompleteList* does not have SpecialDayGroup[token = *specialDayGroupToken*] item with equal fields with *specialDayGroup*, FAIL the test, restore the DUT state, and skip other steps.
21. For each SpecialDayGroup.token (*token*) from *initialSpecialDayGroupCompleteList* do the following:
- 21.1. If *specialDayGroupCompleteList* does not have SpecialDayGroup[token = *token*] item, FAIL the test, restore the DUT state, and skip other steps.
22. ONVIF Client deletes special day group by following the procedure mentioned in [Annex A.12](#) with the following input and output parameters
- in *specialDayGroupToken* - special day group token

**Test Result:****PASS –**

- The DUT passed all assertions.

**FAIL –**

- The DUT did not send **SetSpecialDayGroupResponse** message.

**Note:** The following fields are compared at steps [14](#) and [20](#):

- SpecialDayGroup:
  - token
  - Name
  - Description
  - Days (the ONVIF Client compares all iCalendar fields each with other excluding UID field)

**Note:** The following fields are compared at steps [16](#) and [18](#):

- SpecialDayGroupInfo:
  - token
  - Name

- Description

## 5.5.14 SET SPECIAL DAY GROUP

**Test Case ID:** SCHEDULE-5-1-14

**Specification Coverage:** SpecialDayGroup (ONVIF Schedule Service Specification), SetSpecialDayGroup command (ONVIF Schedule Service Specification)

**Feature Under Test:** SetSpecialDayGroup, tns1:Configuration/SpecialDays/Changed

**WSDL Reference:** schedule.wsdl and event.wsdl

**Test Purpose:** To verify modifying of special day group using SetSpecialDayGroup and generating of appropriate notifications.

**Pre-Requirement:** Schedule Service is received from the DUT. Event Service is received from the DUT. Device supports Pull-Point Notification feature. Special Days is supported by the DUT as indicated by the Capabilities.SpecialDaysSupported. Client Supplied Token is supported by the DUT. The DUT shall have enough free storage capacity for one additional SpecialDayGroup.

**Test Configuration:** ONVIF Client and DUT

**Test Sequence:**

1. Start an ONVIF Client.
2. Start the DUT.
3. ONVIF Client creates unique special day group by following the procedure mentioned in [Annex A.8](#) with the following input and output parameters
  - out *specialDayGroupToken* - token of new special day group
  - out *days* - iCalendar value of Days field
4. Set *days* := *days* with changed "day" value in DTSTART field (increase day value by one day) and with changed "day" value in DTEND field (increase day value by one day).
5. ONVIF Client creates PullPoint subscription for the specified topic by following the procedure mentioned in [Annex A.18](#) with the following input and output parameters
  - in **tns1:Configuration/SpecialDays/Changed** - Notification Topic
  - out *s* - Subscription reference

- out *currentTime* - current time for the DUT
  - out *terminationTime* - Subscription termination time
6. Set *specialDayGroup* :=
    - *SpecialDayGroup.token* := *specialDayGroupToken*
    - *SpecialDayGroup.Name* := "Test SpecialDayGroup Name2"
    - *SpecialDayGroup.Description* := "Test SpecialDayGroup Description2"
    - *SpecialDayGroup.Days* := *days*
    - *SpecialDayGroup.Extension* is skipped
  7. ONVIF client invokes **SetSpecialDayGroup** request with parameters
    - *SpecialDayGroup* := *specialDayGroup*
  8. The DUT responds with **SetSpecialDayGroupResponse** message.
  9. ONVIF Client retrieves and checks **tns1:Configuration/SpecialDays/Changed** event for the specified Special Days Group token by following the procedure mentioned in [Annex A.21](#) with the following input and output parameters
    - in *s* - Subscription reference
    - in *currentTime* - current time for the DUT
    - in *terminationTime* - subscription termination time
    - in *specialDayGroupToken* - special day group token
  10. ONVIF Client deletes PullPoint subscription by following the procedure mentioned in [Annex A.19](#) with the following input and output parameters
    - in *s* - Subscription reference
  11. ONVIF Client retrieves a special day group by following the procedure mentioned in [Annex A.14](#) with the following input and output parameters
    - in *specialDayGroupToken* - special day group token
    - out *specialDayGroupList* - the list of special day groups
  12. If *specialDayGroupList[0]* item does not have equal to *specialDayGroup*, FAIL the test, restore the DUT state, and skip other steps.

13. ONVIF Client retrieves a special day group info by following the procedure mentioned in [Annex A.15](#) with the following input and output parameters
  - in *specialDayGroupToken* - special day group token
  - out *specialDayGroupInfoList* - the list of special day groups info
14. If *specialDayGroupInfoList*[0] item does not have equal fields with *specialDayGroup*, FAIL the test, restore the DUT state, and skip other steps.
15. ONVIF Client retrieves complete list of special day groups info by following the procedure mentioned in [Annex A.4](#) with the following input and output parameters
  - out *specialDayGroupInfoCompleteList* - special day group info complete list
16. If *specialDayGroupInfoCompleteList* does not have *SpecialDayGroupInfo*[token = *specialDayGroupToken*] item with equal fields with *specialDayGroup*, FAIL the test, restore the DUT state, and skip other steps.
17. ONVIF Client retrieves complete list of special day groups by following the procedure mentioned in [Annex A.5](#) with the following input and output parameters
  - out *specialDayGroupCompleteList* - special day group complete list
18. If *specialDayGroupCompleteList* does not have *SpecialDayGroup*[token = *specialDayGroupToken*] item with equal fields with *specialDayGroup*, FAIL the test, restore the DUT state, and skip other steps.
19. ONVIF Client deletes special day group by following the procedure mentioned in [Annex A.12](#) with the following input and output parameters
  - in *specialDayGroupToken* - special day group token

**Test Result:****PASS –**

- The DUT passed all assertions.

**FAIL –**

- The DUT did not send **SetSpecialDayGroupResponse** message.

**Note:** The following fields are compared at steps [12](#) and [18](#):

- *SpecialDayGroup*:
  - token

- Name
- Description
- Days (the ONVIF Client compares all iCalendar fields each with other excluding UID field)

**Note:** The following fields are compared at steps 14 and 16:

- SpecialDayGroupInfo:
  - token
  - Name
  - Description

## 5.6 Schedule State

### 5.6.1 GET SCHEDULE STATE

**Test Case ID:** SCHEDULE-6-1-1

**Specification Coverage:** ScheduleState (ONVIF Schedule Service Specification), GetScheduleState command (ONVIF Schedule Service Specification)

**Feature Under Test:** GetScheduleState

**WSDL Reference:** schedule.wsdl

**Test Purpose:** To verify Get Schedule State.

**Pre-Requisite:** Schedule Service is received from the DUT. State Reporting is supported by the DUT as indicated by the Capabilities.StateReportingSupported.

**Test Configuration:** ONVIF Client and DUT

**Test Sequence:**

1. Start an ONVIF Client.
2. Start the DUT.
3. ONVIF Client retrieves a complete Schedule list (out *scheduleCompleteList*) by following the procedure mentioned in [Annex A.3](#).
4. If *scheduleCompleteList* is empty, skip other steps.

5. For each Schedule.token *scheduleToken* from *scheduleCompleteList* repeat the following steps:
  - 5.1. ONVIF client invokes **GetScheduleState** request with parameters
    - Token := *scheduleToken*
  - 5.2. The DUT responds with **GetScheduleStateResponse** message with parameters
    - ScheduleState =: *scheduleState*
  - 5.3. If Schedule[token = *scheduleToken*] item from *scheduleCompleteList* contains at least one SpecialDays item and *scheduleState* does not contain SpecialDays item, FAIL the test.
  - 5.4. If Schedule[token = *scheduleToken*] item from *scheduleCompleteList* does not contain SpecialDays item and *scheduleState.SpecialDays* is equal to true, FAIL the test.

**Test Result:****PASS –**

- The DUT passed all assertions.

**FAIL –**

- The DUT did not send **GetScheduleStateResponse** message.

## 5.6.2 CHANGE SCHEDULE STATE - CHANGE STANDARD

**Test Case ID:** SCHEDULE-6-1-2**Specification Coverage:** ScheduleState (ONVIF Schedule Service Specification), GetScheduleState command (ONVIF Schedule Service Specification)**Feature Under Test:** GetScheduleState, tns1:Schedule/State/Active event**WSDL Reference:** schedule.wsdl**Test Purpose:** To verify Get Schedule State and tns1:Schedule/State/Active changed event generation when current time is within the boundaries of the schedule period.**Pre-Requisite:** Schedule Service is received from the DUT. Event Service is received from the DUT. Device supports Pull-Point Notification feature. State Reporting is supported by the DUT as indicated by the Capabilities.StateReportingSupported. The DUT shall have enough free storage capacity for one additional Schedule.

## Test Configuration: ONVIF Client and DUT

### Test Sequence:

1. Start an ONVIF Client.
2. Start the DUT.
3. ONVIF Client gets the service capabilities (out *cap*) by following the procedure mentioned in [Annex A.2](#).
4. ONVIF Client generates Unique Identifier value for UID field in iCalendar (out *uid*) by following the procedure mentioned in [Annex A.6](#).
5. Set the following:
  - $\delta := \max\{\text{Message Timeout value}, 10 \text{ seconds}\}$ .
6. If *cap.ExtendedRecurrenceSupported* is equal to true, set the following:
  - *scheduleiCalendarValue* := "BEGIN:VCALENDAR  
 BEGIN:VEVENT  
 SUMMARY:Test summary  
 DTSTART:<current year>< current month>< current day>T<current time +  $\delta$ >  
 DTEND: DTSTART + 1 hour  
 RRULE:FREQ=DAILY  
 UID:*uid*  
 END:VEVENT  
 END:VCALENDAR"
7. If *cap.ExtendedRecurrenceSupported* is equal to false, set the following:
  - *scheduleiCalendarValue* := "BEGIN:VCALENDAR  
 BEGIN:VEVENT  
 SUMMARY: Test summary  
 DTSTART:1970<current month><current day>T<current time +  $\delta$ >  
 DTEND: DTSTART + 1 hour

RRULE:FREQ=WEEKLY;BYDAY=<current week day>,<next week day>

UID:*uid*

END:VEVENT

END:VCALENDAR"

8. ONVIF Client creates Schedule with Schedule token (out *scheduleToken*), with iCalendar value of the Schedule.Standard field (in *scheduleiCalendarValue*) and without SpecialDayGroup item by following the procedure mentioned in [Annex A.13](#).
9. ONVIF Client invokes **CreatePullPointSubscription** request with parameters
  - Filter.TopicExpression := "tns1:Schedule/State/Active"
  - Filter.TopicExpression.@Dialect := "http://www.onvif.org/ver10/tev/topicExpression/ConcreteSet"
10. The DUT responds with a **CreatePullPointSubscriptionResponse** message with parameters
  - SubscriptionReference =: *s*
  - CurrentTime =: *ct*
  - TerminationTime =: *tt*
11. Set the following:
  - *timeout* := max{(Operation Delay value, *delta* + 5 seconds)}.
12. Until *timeout* timeout expires, repeat the following steps:
  - 12.1. ONVIF Client waits for time  $t := \min\{(tt-ct)/2, 1 \text{ second}\}$ .
  - 12.2. ONVIF Client invokes **PullMessages** to the subscription endpoint *s* with parameters
    - Timeout := PT60S
    - MessageLimit := 1
  - 12.3. The DUT responds with **PullMessagesResponse** message with parameters
    - CurrentTime =: *ct*
    - TerminationTime =: *tt*



- NotificationMessage =: *m*

12.4. If the TopicExpression item in *m* is not equal to "tns1:Schedule/State/Active", FAIL the test and go to the step 18.

12.5. If *m* is not null and PropertyOperation item in *m* is equal to "Changed" check the following:

12.5.1. If *m* does not contain Source.SimpleItem item with Name = "ScheduleToken" and Value with type is equal to pt:ReferenceToken, FAIL the test and go to the step 18.

12.5.2. If value of Source.SimpleItem.ScheduleToken item in *m* is equal to *scheduleToken*, check the following:

12.5.2.1. If *m* does not contain Source.SimpleItem item with Name = "Name" and Value with type is equal to xs:string, FAIL the test and go to the step 18.

12.5.2.2. If value of Source.SimpleItem.Name item in *m* is not equal to "Test Name", FAIL the test and go to the step 18.

12.5.2.3. If *m* does not contain Data.SimpleItem item with Name = "Active" and Value with type is equal to xs:boolean, FAIL the test and go to the step 18.

12.5.2.4. If value of Data.SimpleItem item with Name = "Active" is not equal to true, FAIL the test and go to the step 18.

12.5.2.5. If *m* does not contain Data.SimpleItem item with Name = "SpecialDay" and Value with type is equal to xs:boolean, FAIL the test and go to the step 18.

12.5.2.6. If value of Data.SimpleItem item with Name = "SpecialDay" is not equal to false, FAIL the test and go to the step 18.

12.5.2.7. Go to step 14.

13. If *timeout* expires for step 11 without Notification with TopicExpression = "tns1:Schedule/State/Active" and with *m* with Source.SimpleItem.ScheduleToken value is equal to *scheduleToken*, FAIL the test and go to the step 18.

14. ONVIF client invokes **GetScheduleState** request with parameters

- Token := *scheduleToken*

15. The DUT responds with **GetScheduleStateResponse** message with parameters
  - ScheduleState =: *scheduleState*
16. If *scheduleState.Active* value is not equal to true, FAIL the test and go to the step 18.
17. If *scheduleState* contains SpecialDays item and *scheduleState.SpecialDays* value is not equal to false, FAIL the test and go to the step 18.
18. ONVIF Client deletes the Schedule (in *scheduleToken*) by following the procedure mentioned in [Annex A.11](#) to restore DUT configuration.
19. ONVIF Client sends an **Unsubscribe** to the subscription endpoint s.
20. The DUT responds with **UnsubscribeResponse** message.

**Test Result:****PASS –**

- The DUT passed all assertions.

**FAIL –**

- The DUT did not send **CreatePullPointSubscriptionResponse** message.
- The DUT did not send **GetScheduleStateResponse** message.
- The DUT did not send **PullMessagesResponse** message.
- The DUT did not send **UnsubscribeResponse** message.

**Note:** If time to the end of the current day is less than *delta*, the test tool waits for the start of the next day before step 7.

**Note:** Message Timeout value for *delta* calculation will be taken from Message Timeout field of ONVIF Device Test Tool.

**Note:** Operation Delay value for *timeout* calculation will be taken from Operation Delay field of ONVIF Device Test Tool.

## 5.6.3 CHANGE SCHEDULE STATE - CHANGE SPECIAL DAYS

**Test Case ID:** SCHEDULE-6-1-3

**Specification Coverage:** ScheduleState (ONVIF Schedule Service Specification), GetScheduleState command (ONVIF Schedule Service Specification)

**Feature Under Test:** GetScheduleState, tns1:Schedule/State/Active event

**WSDL Reference:** schedule.wsdl

**Test Purpose:** To verify Get Schedule State and tns1:Schedule/State/Active changed event generation when current time is within the boundaries of the special day time period.

**Pre-Requisite:** Schedule Service is received from the DUT. Event Service is received from the DUT. Device supports Pull-Point Notification feature. State Reporting is supported by the DUT as indicated by the Capabilities.StateReportingSupported. The DUT shall have enough free storage capacity for one additional Schedule. Special Days is supported by the DUT as indicated by the Capabilities.SpecialDaysSupported. The DUT shall have enough free storage capacity for one additional SpecialDayGroup.

**Test Configuration:** ONVIF Client and DUT

**Test Sequence:**

1. Start an ONVIF Client.
2. Start the DUT.
3. ONVIF Client gets the service capabilities (out *cap*) by following the procedure mentioned in [Annex A.2](#).
4. Set the following:
  - *specialDayState* := false
5. ONVIF Client generates appropriate iCalendar for Days field in special day group (out *days1*) with boundaries of special days time period in iCalendar are not contained current time (in *specialDayState*) by following the procedure mentioned in [Annex A.16](#).
6. ONVIF Client creates SpecialDayGroup (out *specialDayGroupToken*) with required iCalendar value (in *days1*) by following the procedure mentioned in [Annex A.8](#).
7. ONVIF Client generates appropriate iCalendar value for the Schedule.Standard field (in *cap*, out *scheduleiCalendarValue*) by following the procedure mentioned in [Annex A.7](#).
8. ONVIF client invokes **CreateSchedule** request with parameters
  - Schedule.token := ""
  - Schedule.Description := "Test Description"

- Schedule.Name := "Test Name"
  - Schedule.Standard := scheduleCalendarValue
  - Schedule.SpecialDays := specialDayGroupToken
  - Schedule.SpecialDays.GroupToken := specialDayGroupToken
  - Schedule.SpecialDays.TimeRange.From := current time – 5 min
  - Schedule.SpecialDays.TimeRange.Until := Schedule.SpecialDays.TimeRange.From + 1 hour
9. The DUT responds with **CreateScheduleResponse** message with parameters
- Token =: *scheduleToken*
10. Set the following:
- *specialDayState* := true
11. ONVIF Client generates appropriate iCalendar for Days field in special day group (out *days2*) with boundaries of special days time period in iCalendar are contained current time (in *specialDayState*) by following the procedure mentioned in [Annex A.16](#).
12. ONVIF Client invokes **CreatePullPointSubscription** request with parameters
- Filter.TopicExpression := "tns1:Schedule/State/Active"
  - Filter.TopicExpression.@Dialect := "http://www.onvif.org/ver10/tev/topicExpression/ConcreteSet"
13. The DUT responds with a **CreatePullPointSubscriptionResponse** message with parameters
- SubscriptionReference =: *s*
  - CurrentTime =: *ct*
  - TerminationTime =: *tt*
14. ONVIF client invokes **ModifySpecialDayGroup** request with parameters
- SpecialDayGroup.token := "*specialDayGroupToken*"
  - SpecialDayGroup.Name := "Test SpecialDayGroup Name"
  - SpecialDayGroup.Description := "Test SpecialDayGroup Description"

- `SpecialDayGroup.Days := days2`

15. The DUT responds with empty **ModifySpecialDayGroupResponse** message.

16. Until *timeout* timeout expires, repeat the following steps:

16.1. ONVIF Client waits for time  $t := \min\{(tt-ct)/2, 1 \text{ second}\}$ .

16.2. ONVIF Client invokes **PullMessages** to the subscription endpoint *s* with parameters

- `Timeout := PT60S`
- `MessageLimit := 1`

16.3. The DUT responds with **PullMessagesResponse** message with parameters

- `CurrentTime =: ct`
- `TerminationTime =: tt`
- `NotificationMessage =: m`

16.4. If the `TopicExpression` item in *m* is not equal to "tns1:Schedule/State/Active", FAIL the test and go to the step 23.

16.5. If *m* is not null and `PropertyOperation` item in *m* is equal to "Changed" check the following:

16.5.1. If *m* does not contain `Source.SimpleItem` item with `Name = "ScheduleToken"` and `Value` with type is equal to `pt:ReferenceToken`, FAIL the test and go to the step 23.

16.5.2. If value of `Source.SimpleItem.ScheduleToken` item in *m* is equal to *scheduleToken*, check the following:

16.5.2.1. If *m* does not contain `Source.SimpleItem` item with `Name = "Name"` and `Value` with type is equal to `xs:string`, FAIL the test and go to the step 23.

16.5.2.2. If value of `Source.SimpleItem.Name` item in *m* is not equal to "Test Name", FAIL the test and go to the step 23.

16.5.2.3. If *m* does not contain `Data.SimpleItem` item with `Name = "Active"` and `Value` with type is equal to `xs:boolean`, FAIL the test and go to the step 23.

16.5.2.4. If value of Data.SimpleItem item with Name = "Active" is not equal to true, FAIL the test and go to the step 23.

16.5.2.5. If *m* does not contain Data.SimpleItem item with Name = "SpecialDay" and Value with type is equal to xs:boolean, FAIL the test and go to the step 23.

16.5.2.6. If value of Data.SimpleItem item with Name = "SpecialDay" is not equal to false, FAIL the test and go to the step 23.

16.5.2.7. Go to step 18.

17. If *timeout* timeout expires for step 16 without Notification with TopicExpression = "tns1:Schedule/State/Active" and with *m* with Source.SimpleItem.ScheduleToken value is equal to *scheduleToken*, FAIL the test and go to the step 23.

18. ONVIF client invokes **GetScheduleState** request with parameters

- Token := *scheduleToken*

19. The DUT responds with **GetScheduleStateResponse** message with parameters

- ScheduleState =: *scheduleState*

20. If *scheduleState.Active* value is not equal to true, FAIL the test and go to the step 23.

21. If *scheduleState* does not contain SpecialDays item, FAIL the test and go to the step 23.

22. If *scheduleState.SpecialDays* value is not equal to true, FAIL the test and go to the step 23.

23. ONVIF Client deletes the Schedule (in *scheduleToken*) by following the procedure mentioned in [Annex A.11](#) to restore DUT configuration.

24. ONVIF Client sends an **Unsubscribe** to the subscription endpoint s.

25. The DUT responds with **UnsubscribeResponse** message.

#### Test Result:

##### PASS –

- The DUT passed all assertions.

##### FAIL –

- The DUT did not send **CreatePullPointSubscriptionResponse** message.
- The DUT did not send **GetScheduleStateResponse** message.

- The DUT did not send **PullMessagesResponse** message.
- The DUT did not send **UnsubscribeResponse** message.

**Note:** Operation Delay value for *timeout* calculation will be taken from Operation Delay field of ONVIF Device Test Tool.

## 5.6.4 GET SCHEDULE STATE WITH INVALID TOKEN

**Test Case ID:** SCHEDULE-6-1-4

**Specification Coverage:** ScheduleState (ONVIF Schedule Service Specification), GetScheduleState command (ONVIF Schedule Service Specification)

**Feature Under Test:** GetScheduleState

**WSDL Reference:** schedule.wsdl

**Test Purpose:** To verify Get Schedule State with invalid token.

**Pre-Requirement:** Schedule Service is received from the DUT. State Reporting is supported by the DUT as indicated by the Capabilities.StateReportingSupported.

**Test Configuration:** ONVIF Client and DUT

**Test Sequence:**

1. Start an ONVIF Client.
2. Start the DUT.
3. ONVIF Client retrieves a complete list of schedule info (out *scheduleInfoCompleteList*) by following the procedure mentioned in [Annex A.1](#).
4. Set the following:
  - *invalidToken* := value not equal to any *scheduleInfoCompleteList.token*
5. ONVIF Client invokes **GetScheduleState** request with parameters
  - Token := *invalidToken*
6. The DUT returns **env:SenderTerminates:InvalidArgument:NotFound** SOAP 1.2 fault.

**Test Result:**

**PASS –**

- The DUT passed all assertions.

**FAIL –**

- The DUT did not send **env:SenderTerInvalidArgValter:NotFound** SOAP 1.2 fault

**Note:** If the DUT sends other SOAP 1.2 fault message than specified, log WARNING message, and PASS the test.

## 5.7 Schedule Events

### 5.7.1 SCHEDULE STATE ACTIVE EVENT (PROPERTY EVENT)

**Test Case ID:** SCHEDULE-7-1-1

**Specification Coverage:** Schedule State (ONVIF Schedule Service Specification), Notification topics (ONVIF Schedule Service Specification), Get event properties (ONVIF Core specification).

**Feature Under Test:** GetEventProperties

**WSDL Reference:** schedule.wsdl and event.wsdl

**Test Purpose:** To verify tns1:Schedule/State/Active event format and and initialize event generation.

**Pre-Requisite:** Schedule Service is received from the DUT. Event Service is received from the DUT. Device supports Pull-Point Notification feature. State Reporting is supported by the DUT as indicated by the Capabilities.StateReportingSupported.

**Test Configuration:** ONVIF Client and DUT

**Test Sequence:**

1. Start an ONVIF Client.
2. Start the DUT.
3. ONVIF Client invokes **GetEventProperties**.
4. The DUT responds with a **GetEventPropertiesResponse** message with parameters
  - TopicNamespaceLocation list
  - FixedTopicSet
  - TopicSet =: *topicSet*
  - TopicExpressionDialect list



- MessageContentFilterDialect list
  - MessageContentSchemaLocation list
5. If *topicSet* does not contain tns1:Schedule/State/Active topic, FAIL the test and skip other steps.
  6. ONVIF Client verifies tns1:Schedule/State/Active topic (*stateActiveTopic*) from *topicSet*:
    - 6.1. If *stateActiveTopic*.MessageDescription.IsProperty equals to false or skipped, FAIL the test and skip other steps.
    - 6.2. If *stateActiveTopic* does not contain MessageDescription.Source.SimpleItemDescription item with Name =: "ScheduleToken", FAIL the test and skip other steps.
    - 6.3. If *stateActiveTopic*.MessageDescription.Source.SimpleItemDescription with Name =: "ScheduleToken" does not have Type =: "pt:ReferenceToken", FAIL the test and skip other steps.
    - 6.4. If *stateActiveTopic* does not contain MessageDescription.Source.SimpleItemDescription item with Name =: "Name", FAIL the test and skip other steps.
    - 6.5. If *stateActiveTopic*.MessageDescription.Source.SimpleItemDescription with Name =: "Name" does not have Type =: "xs:string", FAIL the test and skip other steps.
    - 6.6. If *stateActiveTopic* does not contain MessageDescription.Data.SimpleItemDescription item with Name =: "Active", FAIL the test and skip other steps.
    - 6.7. If *stateActiveTopic*.MessageDescription.Data.SimpleItemDescription with Name =: "Active" does not have Type =: "xs:boolean", FAIL the test and skip other steps.
    - 6.8. If *stateActiveTopic* does not contain MessageDescription.Data.SimpleItemDescription item with Name =: "SpecialDay", FAIL the test and skip other steps.
    - 6.9. If *stateActiveTopic*.MessageDescription.Data.SimpleItemDescription with Name =: "SpecialDay" does not have Type =: "xs:boolean", FAIL the test and skip other steps.
  7. ONVIF Client retrieves a complete list of Schedules (out *scheduleCompleteList*) by following the procedure mentioned in [Annex A.3](#).
  8. If *scheduleCompleteList* is not empty, go to step 14.
  9. ONVIF Client gets the service capabilities (out *cap*) by following the procedure mentioned in [Annex A.2](#).

10. If *cap.SpecialDaysSupported* is equal to true, ONVIF Client creates *SpecialDayGroup* (out *specialDayGroupToken*) by following the procedure mentioned in [Annex A.8](#).
11. ONVIF Client generates appropriate *iCalendar* value for the *Schedule.Standard* field (in *cap*, out *scheduleiCalendarValue*) by following the procedure mentioned in [Annex A.7](#).
12. ONVIF Client creates *Schedule* with *Schedule* token (out *scheduleToken*), with *iCalendar* value of the *Schedule.Standard* field (in *scheduleiCalendarValue*) and with *SpecialDayGroupToken* (in *specialDayGroupToken*) if *Special Days* is supported by the DUT by following the procedure mentioned in [Annex A.13](#).
13. Set:
  - *scheduleCompleteList* := *scheduleToken*
14. ONVIF Client invokes **CreatePullPointSubscription** request with parameters
  - *Filter.TopicExpression* := "tns1:Schedule/State/Active"
  - *Filter.TopicExpression.@Dialect* := "http://www.onvif.org/ver10/tev/topicExpression/ConcreteSet"
15. The DUT responds with a **CreatePullPointSubscriptionResponse** message with parameters
  - *SubscriptionReference* =: *s*
  - *CurrentTime* =: *ct*
  - *TerminationTime* =: *tt*
16. Until *operationDelay* timeout expires, repeat the following steps:
  - 16.1. ONVIF Client waits for time  $t := \min\{(tt-ct)/2, 1 \text{ second}\}$ .
  - 16.2. ONVIF Client invokes **PullMessages** to the subscription endpoint *s* with parameters
    - *Timeout* := PT60S
    - *MessageLimit* := 1
  - 16.3. The DUT responds with **PullMessagesResponse** message with parameters
    - *CurrentTime* =: *ct*
    - *TerminationTime* =: *tt*
    - *NotificationMessage* =: *m*

- 16.4. If *m* is not null and the TopicExpression item in *m* is not equal to "tns1:Schedule/State/Active", FAIL the test and go to the step 19.
- 16.5. If *m* is not null and PropertyOperation item in *m* is equal to "Initialized" check the following:
- 16.5.1. If *m* does not contain Source.SimpleItem item with Name = "ScheduleToken" and Value with type is equal to pt:ReferenceToken, FAIL the test and go to the step 19.
  - 16.5.2. If value of ScheduleToken item (*scheduleToken*) in *m* is not equal to any Schedule token from *scheduleCompleteList*, FAIL the test and go to the step 19.
  - 16.5.3. If *m* does not contain Source.SimpleItem item with Name = "Name" and Value with type is equal to xs:string, FAIL the test and go to the step 19.
  - 16.5.4. If value of Name item in *m* is not equal to value of Name of Schedule[token = *scheduleToken*] from *scheduleCompleteList*, FAIL the test and go to the step 19.
  - 16.5.5. If *m* does not contain Data.SimpleItem item with Name = "Active" and Value with type is equal to xs:boolean, FAIL the test and go to the step 19.
  - 16.5.6. If *m* does not contain Data.SimpleItem item with Name = "SpecialDay" and Value with type is equal to xs:boolean, FAIL the test and go to the step 19.
  - 16.5.7. 16.5.7.If notifications for all schedule tokens from *scheduleCompleteList* are received, go to step 18.
17. If *operationDelay* timeout expires for step 16 without Notification with TopicExpression = "tns1:Schedule/State/Active", FAIL the test and go to step 19.
18. If the DUT sent Notifications not for all schedule tokens from *scheduleCompleteList*, FAIL the test and go to step 19.
19. If Schedule was created at step 12, ONVIF Client deletes the Schedule (in *scheduleToken*) by following the procedure mentioned in [Annex A.11](#) to restore DUT configuration.
20. If SpecialDayGroup was created at step 10, ONVIF Client deletes the SpecialDayGroup (in *specialDayGroupToken*) by following the procedure mentioned in [Annex A.12](#) to restore DUT configuration.
21. ONVIF Client sends an **Unsubscribe** to the subscription endpoint *s*.

22. The DUT responds with **UnsubscribeResponse** message.

**Test Result:**

**PASS –**

- The DUT passed all assertions.

**FAIL –**

- The DUT did not send **GetEventPropertiesResponse** message.
- The DUT did not send **CreatePullPointSubscriptionResponse** message.
- The DUT did not send **PullMessagesResponse** message.
- The DUT did not send **UnsubscribeResponse** message.

**Note:** *operationDelay* will be taken from the Operation Delay field of ONVIF Device Test Tool.

## 5.7.2 SCHEDULE CHANGED EVENT

**Test Case ID:** SCHEDULE-7-1-2

**Specification Coverage:** Schedule State (ONVIF Schedule Service Specification), Notification topics (ONVIF Schedule Service Specification), Get event properties (ONVIF Core specification).

**Feature Under Test:** GetEventProperties

**WSDL Reference:** event.wsdl

**Test Purpose:** To verify tns1:Configuration/Schedule/Changed event format.

**Pre-Requisite:** Schedule Service is supported by the DUT. Event Service is supported by the DUT.

**Test Configuration:** ONVIF Client and DUT

**Test Sequence:**

1. Start an ONVIF Client.
2. Start the DUT.
3. ONVIF Client invokes **GetEventProperties**.
4. The DUT responds with a **GetEventPropertiesResponse** message with parameters
  - TopicNamespaceLocation list
  - FixedTopicSet

- TopicSet =: *topicSet*
  - TopicExpressionDialect list
  - MessageContentFilterDialect list
  - MessageContentSchemaLocation list
5. If *topicSet* does not contain tns1:Configuration/Schedule/Changed topic, FAIL the test and skip other steps.
  6. ONVIF Client verifies tns1:Configuration/Schedule/Changed topic (*scheduleChangedTopic*) from topicSet:
    - 6.1. If *scheduleChangedTopic.MessageDescription.IsProperty* equals to true, FAIL the test and skip other steps.
    - 6.2. If *scheduleChangedTopic* does not contain *MessageDescription.Source.SimpleItemDescription* item with Name =: "ScheduleToken", FAIL the test and skip other steps.
    - 6.3. If *scheduleChangedTopic.MessageDescription.Source.SimpleItemDescription* with Name =: "ScheduleToken" does not have Type =: "pt:ReferenceToken", FAIL the test.

**Test Result:****PASS –**

- The DUT passed all assertions.

**FAIL –**

- The DUT did not send **GetEventPropertiesResponse** message.

## 5.7.3 SCHEDULE REMOVED EVENT

**Test Case ID:** SCHEDULE-7-1-3

**Specification Coverage:** Notification topics (ONVIF Schedule Service Specification), Get event properties (ONVIF Core specification).

**Feature Under Test:** GetEventProperties

**WSDL Reference:** event.wsdl

**Test Purpose:** To verify tns1:Configuration/Schedule/Removed event format.

**Pre-Requirement:** Schedule Service is supported by the DUT. Event Service is supported by the DUT.

**Test Configuration:** ONVIF Client and DUT

**Test Sequence:**

1. Start an ONVIF Client.
2. Start the DUT.
3. ONVIF Client invokes **GetEventProperties**.
4. The DUT responds with a **GetEventPropertiesResponse** message with parameters
  - TopicNamespaceLocation list
  - FixedTopicSet
  - TopicSet =: *topicSet*
  - TopicExpressionDialect list
  - MessageContentFilterDialect list
  - MessageContentSchemaLocation list
5. If *topicSet* does not contain tns1:Configuration/Schedule/Removed topic, FAIL the test and skip other steps.
6. ONVIF Client verifies tns1:Configuration/Schedule/Removed topic (*scheduleRemovedTopic*) from topicSet:
  - 6.1. If *scheduleRemovedTopic*.MessageDescription.IsProperty equals to true, FAIL the test and skip other steps.
  - 6.2. If *scheduleRemovedTopic* does not contain MessageDescription.Source.SimpleItemDescription item with Name =: "ScheduleToken", FAIL the test and skip other steps.
  - 6.3. If *scheduleRemovedTopic*.MessageDescription.Source.SimpleItemDescription with Name =: "ScheduleToken" does not have Type =: "pt:ReferenceToken", FAIL the test.

**Test Result:**

**PASS –**

- The DUT passed all assertions.

**FAIL –**

- The DUT did not send **GetEventPropertiesResponse** message.

## 5.7.4 SPECIAL DAYS CHANGED EVENT

**Test Case ID:** SCHEDULE-7-1-4

**Specification Coverage:** Notification topics (ONVIF Schedule Service Specification), Get event properties (ONVIF Core specification).

**Feature Under Test:** GetEventProperties

**WSDL Reference:** event.wsdl

**Test Purpose:** To verify tns1:Configuration/SpecialDays/Changed event format.

**Pre-Requisite:** Schedule Service is supported by the DUT. Event Service is supported by the DUT. Special Days is supported by the DUT as indicated by the Capabilities.SpecialDaysSupported.

**Test Configuration:** ONVIF Client and DUT

**Test Sequence:**

1. Start an ONVIF Client.
2. Start the DUT.
3. ONVIF Client invokes **GetEventProperties**.
4. The DUT responds with a **GetEventPropertiesResponse** message with parameters
  - TopicNamespaceLocation list
  - FixedTopicSet
  - TopicSet =: *topicSet*
  - TopicExpressionDialect list
  - MessageContentFilterDialect list
  - MessageContentSchemaLocation list
5. If *topicSet* does not contain tns1:Configuration/SpecialDays/Changed topic, FAIL the test and skip other steps.
6. ONVIF Client verifies tns1:Configuration/SpecialDays/Changed topic (*specialDaysChangedTopic*) from topicSet:

- 6.1. If *specialDaysChangedTopic*.MessageDescription.IsProperty equals to true, FAIL the test and skip other steps.
- 6.2. If *specialDaysChangedTopic* does not contain MessageDescription.Source.SimpleItemDescription item with Name =: "SpecialDaysToken", FAIL the test and skip other steps.
- 6.3. If *specialDaysChangedTopic*.MessageDescription.Source.SimpleItemDescription with Name =: "SpecialDaysToken" does not have Type =: "pt:ReferenceToken", FAIL the test.

**Test Result:****PASS –**

- The DUT passed all assertions.

**FAIL –**

- The DUT did not send **GetEventPropertiesResponse** message.

## 5.7.5 SPECIAL DAYS REMOVED EVENT

**Test Case ID:** SCHEDULE-7-1-5**Specification Coverage:** Notification topics (ONVIF Schedule Service Specification), Get event properties (ONVIF Core specification).**Feature Under Test:** GetEventProperties**WSDL Reference:** event.wsdl**Test Purpose:** To verify tns1:Configuration/SpecialDays/Removed event format.**Pre-Requisite:** Schedule Service is supported by the DUT. Event Service is supported by the DUT. Special Days is supported by the DUT as indicated by the Capabilities.SpecialDaysSupported.**Test Configuration:** ONVIF Client and DUT**Test Sequence:**

1. Start an ONVIF Client.
2. Start the DUT.
3. ONVIF Client invokes **GetEventProperties**.
4. The DUT responds with a **GetEventPropertiesResponse** message with parameters



- TopicNamespaceLocation list
  - FixedTopicSet
  - TopicSet =: *topicSet*
  - TopicExpressionDialect list
  - MessageContentFilterDialect list
  - MessageContentSchemaLocation list
5. If *topicSet* does not contain tns1:Configuration/SpecialDays/Removed topic, FAIL the test and skip other steps.
  6. ONVIF Client verifies tns1:Configuration/SpecialDays/Removed topic (*specialDaysRemovedTopic*) from topicSet:
    - 6.1. If *specialDaysRemovedTopic.MessageDescription.IsProperty* equals to true, FAIL the test and skip other steps.
    - 6.2. If *specialDaysRemovedTopic* does not contain *MessageDescription.Source.SimpleItemDescription* item with Name =: "SpecialDaysToken", FAIL the test and skip other steps.
    - 6.3. If *specialDaysRemovedTopic.MessageDescription.Source.SimpleItemDescription* with Name =: "SpecialDaysToken" does not have Type =: "pt:ReferenceToken", FAIL the test.

**Test Result:****PASS –**

- The DUT passed all assertions.

**FAIL –**

- The DUT did not send **GetEventPropertiesResponse** message.

## 5.8 Consistency

### 5.8.1 GET SCHEDULE AND GET SPECIAL DAY GROUP INFO LIST CONSISTENCY

**Test Case ID:** SCHEDULE-8-1-1

**Specification Coverage:** Schedule (ONVIF Schedule Service Specification), Special day group (ONVIF Schedule Specification).

**Feature Under Test:** GetScheduleList, GetSpecialDayGroupInfoList

**WSDL Reference:** schedule.wsdl

**Test Purpose:** To verify that all Special Day Group Tokens from GetScheduleResponses could be listed through GetSpecialDayGroupInfoList command.

**Pre-Requisite:** Schedule Service is received from the DUT. Special Days is supported by the DUT as indicated by the Capabilities.SpecialDaysSupported.

**Test Configuration:** ONVIF Client and DUT

**Test Sequence:**

1. Start an ONVIF Client.
2. Start the DUT.
3. ONVIF Client retrieves a complete list of schedules (out *scheduleCompleteList*) by following the procedure mentioned in [Annex A.3](#).
4. ONVIF Client retrieves a complete list of special day group information (out *specialDayGroupInfoCompleteList*) by following the procedure mentioned in [Annex A.4](#).
5. For each Schedule.SpecialDays.GroupToken (*specialDaysGroupToken*) from *scheduleCompleteList* repeat the following steps:
  - 5.1. If *specialDaysGroupToken* is not listed in *specialDayGroupInfoCompleteList*, FAIL the test and skip other steps.

**Test Result:**

**PASS –**

- The DUT passed all assertions.

## Annex A Helper Procedures and Additional Notes

This section describes the meaning of the following definitions. These definitions are used in the test case description.

### A.1 Get schedules information list

**Name:** HelperGetScheduleInfoList

**Procedure Purpose:** Helper procedure to get complete schedules information list.

**Pre-requisite:** Schedule Service is received from the DUT.

**Input:** None.

**Returns:** The complete list of schedules information (*scheduleInfoCompleteList*).

**Procedure:**

1. ONVIF client invokes **GetScheduleInfoList** request with parameters
  - Limit skipped
  - StartReference skipped
2. The DUT responds with **GetScheduleInfoListResponse** message with parameters
  - NextStartReference =: *nextStartReference*
  - ScheduleInfo list =: *scheduleInfoCompleteList*
3. Until *nextStartReference* is not null, repeat the following steps:
  - 3.1. ONVIF client invokes **GetScheduleInfoList** request with parameters
    - Limit skipped
    - StartReference := *nextStartReference*
  - 3.2. The DUT responds with **GetScheduleInfoListResponse** message with parameters
    - NextStartReference =: *nextStartReference*
    - ScheduleInfo list =: *scheduleInfoListPart*
  - 3.3. Set the following:
    - *scheduleInfoCompleteList* := *scheduleInfoCompleteList* + *scheduleInfoListPart*

**Procedure Result:****PASS –**

- The DUT passed all assertions.

**FAIL –**

- The DUT did not send **GetScheduleInfoListResponse** message.

## A.2 Get service capabilities

**Name:**HelperGetServiceCapabilities

**Procedure Purpose:** Helper procedure to get service capabilities.

**Pre-requisite:** Schedule Service is received from the DUT.

**Input:** None.

**Returns:** The service capabilities (*cap*).

**Procedure:**

1. ONVIF client invokes **GetServiceCapabilities**.
2. The DUT responds with a **GetServiceCapabilitiesResponse** message with parameters
  - Capabilities =: *cap*

**Procedure Result:****PASS –**

- The DUT passed all assertions.

**FAIL –**

- The DUT did not send **GetServiceCapabilitiesResponse** message.

## A.3 Get schedules list

**Name:**HelperGetScheduleList

**Procedure Purpose:** Helper procedure to get complete schedules list with.

**Pre-requisite:** Schedule Service is received from the DUT.

**Input:** None.

**Returns:** The complete list of schedules (*scheduleCompleteList*).

**Procedure:**

1. ONVIF client invokes **GetScheduleList** request with parameters
  - Limit skipped
  - StartReference skipped
2. The DUT responds with **GetScheduleListResponse** message with parameters
  - NextStartReference =: *nextStartReference*
  - Schedule list =: *scheduleCompleteList*
3. Until *nextStartReference* is not null, repeat the following steps:
  - 3.1. ONVIF client invokes **GetScheduleList** request with parameters
    - Limit skipped
    - StartReference := *nextStartReference*
  - 3.2. The DUT responds with **GetScheduleListResponse** message with parameters
    - NextStartReference =: *nextStartReference*
    - Schedule list =: *scheduleListPart*
  - 3.3. Set the following:
    - *scheduleCompleteList* := *scheduleCompleteList* + *scheduleListPart*

**Procedure Result:**

**PASS –**

- The DUT passed all assertions.

**FAIL –**

- The DUT did not send **GetScheduleListResponse** message.

## A.4 Get special day group information list

**Name:** HelperGetSpecialDayGroupInfoList

**Procedure Purpose:** Helper procedure to get complete SpecialDayGroup information list.

**Pre-requisite:** Service is received from the DUT. Special Days is supported by the DUT as indicated by the Capabilities.SpecialDaysSupported.

**Input:** None.

**Returns:** The complete list of special day group information (*specialDayGroupInfoCompleteList*).

**Procedure:**

1. ONVIF client invokes **GetSpecialDayGroupInfoList** request with parameters
  - Limit skipped
  - StartReference skipped
2. The DUT responds with **GetSpecialDayGroupInfoListResponse** message with parameters
  - NextStartReference =: *nextStartReference*
  - SpecialDayGroupInfo list =: *specialDayGroupInfoCompleteList*
3. Until *nextStartReference* is not null, repeat the following steps:
  - 3.1. ONVIF client invokes **GetSpecialDayGroupInfoList** request with parameters
    - Limit skipped
    - StartReference := *nextStartReference*
  - 3.2. The DUT responds with **GetSpecialDayGroupInfoListResponse** message with parameters
    - NextStartReference =: *nextStartReference*
    - SpecialDayGroupInfo list =: *specialDayGroupInfoListPart*
  - 3.3. Set the following:
    - *specialDayGroupInfoCompleteList* := *specialDayGroupInfoCompleteList* + *specialDayGroupInfoListPart*

**Procedure Result:**

**PASS –**

- The DUT passed all assertions.

**FAIL –**

- The DUT did not send **GetSpecialDayGroupInfoListResponse** message.

## A.5 Get special day group list

**Name:**HelperSpecialDayGroupList

**Procedure Purpose:** Helper procedure to get complete Special Day Group list.

**Pre-requisite:** Schedule Service is received from the DUT. Special Days is supported by the DUT as indicated by the Capabilities.SpecialDaysSupported.

**Input:** None.

**Returns:** The complete list of Special Day Group (*specialDayGroupCompleteList*).

**Procedure:**

1. ONVIF client invokes **GetSpecialDayGroupList** request with parameters
  - Limit skipped
  - StartReference skipped
2. The DUT responds with **GetSpecialDayGroupListResponse** message with parameters
  - NextStartReference =: *nextStartReference*
  - SpecialDayGroup list =: *specialDayGroupsCompleteList*
3. Until *nextStartReference* is not null, repeat the following steps:
  - 3.1. ONVIF client invokes **GetSpecialDayGroupList** request with parameters
    - Limit skipped
    - StartReference := *nextStartReference*
  - 3.2. The DUT responds with **GetSpecialDayGroupListResponse** message with parameters
    - NextStartReference =: *nextStartReference*
    - SpecialDayGroup list =: *specialDayGroupsListPart*
  - 3.3. Set the following:
    - *specialDayGroupsCompleteList* := *specialDayGroupsCompleteList* + *specialDayGroupsListPart*

**Procedure Result:****PASS –**

- The DUT passed all assertions.

**FAIL –**

- The DUT did not send **GetSpecialDayGroupListResponse** message.

## A.6 Generate UID value for iCalendar

**Name:** HelperUIDiCalendarGeneration

**Procedure Purpose:** Helper procedure to generate Unique Identifier value for UID field in iCalendar.

**Pre-requisite:** Schedule Service is received from the DUT.

**Input:** None.

**Returns:** Unique Identifier value for UID field in iCalendar (*uid*) that is compliant to [RFC 2445].

**Procedure:**

1. ONVIF Client generates Globally Unique Identifier value.

## A.7 Generate iCalendar value for Schedule

**Name:** HelperScheduleiCalendarGeneration

**Procedure Purpose:** Helper procedure to generate iCalendar value for Schedule.Standard field.

**Pre-requisite:** Schedule Service is received from the DUT.

**Input:** The Schedule service capabilities (*cap*).

**Returns:** iCalendar value for Standard field (*scheduleiCalendarValue*) that is compliant to [RFC 2445].

**Procedure:**

1. ONVIF Client generates Unique Identifier value for UID field in iCalendar (out *uid*) by following the procedure mentioned in [Annex A.6](#).
2. If *cap.ExtendedRecurrenceSupported* is equal to true, set the following:
  - *scheduleiCalendarValue* := "BEGIN:VCALENDAR



BEGIN:VEVENT

SUMMARY:Access from 9 AM to 6 PM

DTSTART:<current year>< current month>< current day>T090000

DTEND:<year of (current day + one week)><month of (current day + one week)><day of (current day + one week)>T180000

RRULE:FREQ=DAILY

UID:*uid*

END:VEVENT

END:VCALENDAR"

3. If *cap.ExtendedRecurrenceSupported* is equal to false, set the following:

- *scheduleiCalendarValue* := "BEGIN:VCALENDAR

BEGIN:VEVENT

SUMMARY:Access on weekdays from 9 AM to 6 PM for employees

DTSTART:1970<current month><current day>T090000

DTEND:1970<current month><current day>T180000

RRULE:FREQ=WEEKLY;BYDAY=MO,TU,WE,TH,FR

UID:*uid*

END:VEVENT

END:VCALENDAR"

## A.8 Create special day group

**Name:**HelperCreateSpecialDayGroup

**Procedure Purpose:** Helper procedure to create SpecialDayGroup with Days field value that is compliant to [RFC 2445].

**Pre-requisite:** Schedule Service is received from the DUT. Special Days is supported by the DUT as indicated by the Capabilities.SpecialDaysSupported. The DUT shall have enough free storage capacity for one additional SpecialDayGroup.

**Input:** iCalendar value of the SpecialDayGroup.Days field (*days*) that is compliant to [RFC 2445].

**Returns:** Returns: Special day group token (*specialDayGroupToken*), iCalendar value of Days field (*days*) that is compliant to [RFC 2445].

**Procedure:**

1. ONVIF Client generates Unique Identifier value for UID field in iCalendar (out *uid*) by following the procedure mentioned in [Annex A.6](#).
2. If *days* is empty, set the following:
  - *days* := "BEGIN:VCALENDAR  
  
BEGIN:VEVENT  
  
SUMMARY:Test special days  
  
DTSTART:<current year><current month><current day>T000000  
  
DTEND:<year of the next day><month of the next day><day of the next day>T000000  
  
UID:*uid*  
  
END:VEVENT  
  
END:VCALENDAR"
3. ONVIF client invokes **CreateSpecialDayGroup** request with parameters
  - SpecialDayGroup.token := ""
  - SpecialDayGroup.Name := "Test SpecialDayGroup Name"
  - SpecialDayGroup.Description := "Test SpecialDayGroup Description"
  - SpecialDayGroup.Days := *days*
4. The DUT responds with **CreateSpecialDayGroupResponse** message with parameters
  - Token =: *specialDayGroupToken*

**Procedure Result:**

**PASS –**

- The DUT passed all assertions.

**FAIL –**

- The DUT did not send **CreateSpecialDayGroupResponse** message.

## A.9 Get schedule

**Name:**HelperGetSchedule

**Procedure Purpose:** Helper procedure to get schedule.

**Pre-requisite:** Schedule Service is received from the DUT.

**Input:** Schedule Token (*scheduleToken*).

**Returns:** Schedule List (*scheduleList*).

**Procedure:**

1. ONVIF client invokes **GetSchedules** request with parameters
  - Token[0] := *scheduleToken*
2. The DUT responds with **GetSchedulesResponse** message with parameters
  - Schedule list =: *scheduleList*

**Procedure Result:**

**PASS –**

- The DUT passed all assertions.

**FAIL –**

- The DUT did not send **GetSchedulesResponse** message.

## A.10 Get schedule info

**Name:**HelperGetScheduleInfo

**Procedure Purpose:** Helper procedure to get schedule info.

**Pre-requisite:** Schedule Service is received from the DUT.

**Input:** Schedule Token (*scheduleToken*).

**Returns:** Schedule Info List (*Info scheduleInfoList*).

**Procedure:**

1. ONVIF client invokes **GetScheduleInfo** request with parameters
  - Token[0] := *scheduleToken*
2. The DUT responds with **GetScheduleInfoResponse** message with parameters
  - ScheduleInfo list =: *scheduleInfoList*

**Procedure Result:****PASS –**

- The DUT passed all assertions.

**FAIL –**

- The DUT did not send **GetScheduleInfoResponse** message.

## A.11 Delete schedule

**Name:**HelperDeleteSchedule**Procedure Purpose:** Helper procedure to delete schedule.**Pre-requisite:** Schedule Service is received from the DUT.**Input:** Schedule Token (*scheduleToken*).**Returns:** None.**Procedure:**

1. ONVIF client invokes **DeleteSchedule** request with parameters
  - Token =: *scheduleToken*
2. The DUT responds with empty **DeleteScheduleResponse** message

**Procedure Result:****PASS –**

- The DUT passed all assertions.

**FAIL –**

- The DUT did not send **DeleteScheduleResponse** message.

## A.12 Delete special day group

**Name:**HelperDeleteSpecialDayGroup

**Procedure Purpose:** Helper procedure to delete SpecialDayGroup.

**Pre-requisite:** Schedule Service is received from the DUT. Special Days is supported by the DUT as indicated by the Capabilities.SpecialDaysSupported.

**Input:** SpecialDayGroup Token (*specialDayGroupToken*).

**Returns:** None.

**Procedure:**

1. ONVIF client invokes **DeleteSpecialDayGroup** request with parameters
  - Token =: *specialDayGroupToken*
2. The DUT responds with empty **DeleteSpecialDayGroupResponse** message

**Procedure Result:**

**PASS –**

- The DUT passed all assertions.

**FAIL –**

- The DUT did not send **DeleteSpecialDayGroupResponse** message.

## A.13 Create Schedule

**Name:**HelperCreateSchedule

**Procedure Purpose:** Helper procedure to create Schedule with Standard field value that is compliant to [RFC 2445].

**Pre-requisite:** Schedule Service is received from the DUT. The DUT shall have enough free storage capacity for one additional Schedule.

**Input:** iCalendar value of the Schedule.Standard field (*scheduleiCalendarValue*), SpecialDayGroupToken (*specialDayGroupToken*).

**Returns:** Schedule token (*scheduleToken*).

**Procedure:**

1. ONVIF client invokes **CreateSchedule** request with parameters
  - Schedule.token := ""
  - Schedule.Description := "Test Description"
  - Schedule.Name := "Test Name"
  - Schedule.Standard := *scheduleCalendarValue*
  - Schedule.SpecialDays skipped if *specialDayGroupToken* is empty
  - Schedule.SpecialDays.GroupToken := *specialDayGroupToken*
  - Schedule.SpecialDays.TimeRange.From := "22:00:00"
  - Schedule.SpecialDays.TimeRange.Until := "23:00:00"
2. The DUT responds with **CreateScheduleResponse** message with parameters
  - Token =: *scheduleToken*

**Procedure Result:**

**PASS –**

- The DUT passed all assertions.

**FAIL –**

- The DUT did not send **CreateScheduleResponse** message.

## A.14 Get special day group

**Name:**HelperGetSpecialDayGroup

**Procedure Purpose:** Helper procedure to get SpecialDayGroup.

**Pre-requisite:** Schedule Service is received from the DUT. Special Days is supported by the DUT as indicated by the Capabilities.SpecialDaysSupported.

**Input:** SpecialDayGroup Token (*specialDayGroupToken*).

**Returns:** SpecialDayGroup List (*specialDayGroupList*).

**Procedure:**

1. ONVIF client invokes **GetSpecialDayGroups** request with parameters
  - Token[0] := *specialDayGroupToken*
2. The DUT responds with **GetSpecialDayGroupsResponse** message with parameters
  - SpecialDayGroup list =: *specialDayGroupList*

**Procedure Result:****PASS –**

- The DUT passed all assertions.

**FAIL –**

- The DUT did not send **GetSpecialDayGroupsResponse** message.

## A.15 Get special day group info

**Name:**HelperGetSpecialDayGroupInfo

**Procedure Purpose:** Helper procedure to get special day group info.

**Pre-requisite:** Schedule Service is received from the DUT. Special Days is supported by the DUT as indicated by the Capabilities.SpecialDaysSupported.

**Input:** SpecialDayGroup Token (*specialDayGroupToken*).

**Returns:** SpecialDayGroup Info List (*specialDayGroupInfoList*).

**Procedure:**

1. ONVIF client invokes **GetSpecialDayGroupInfo** request with parameters
  - Token[0] := *specialDayGroupToken*
2. The DUT responds with **GetSpecialDayGroupInfoResponse** message with parameters
  - SpecialDayGroupInfo =: *specialDayGroupInfoList*

**Procedure Result:****PASS –**

- The DUT passed all assertions.

**FAIL –**

- The DUT did not send **GetSpecialDayGroupInfoResponse** message.

## A.16 Generate iCalenrad value for Special Day Group with required Special Day state

**Name:**HelperSpecialDayGroupiCalendarGeneration

**Procedure Purpose:** Helper procedure to generate iCalendar value for Day field in special day group with required special day state.

**Pre-requisite:** Schedule Service is received from the DUT. Special Days is supported by the DUT as indicated by the Capabilities.SpecialDaysSupported.

**Input:** special day state (*specialDayState*).

**Returns:** iCalendar value of the SpecialDayGroup.Days field (*days*) that is compliant to [RFC 2445].

**Procedure:**

1. ONVIF Client generates Unique Identifier value for UID field in iCalendar (out *uid*) by following the procedure mentioned in [Annex A.6](#).
2. If specialDayState is equal to true, do the following steps:
  - 2.1. If time to the end of the current day is less than Operation delay time or equals to Operation delay time, the test tool waits for the start of the next day.
  - 2.2. Set the following:

- *days* := "BEGIN:VCALENDAR

BEGIN:VEVENT

SUMMARY:Test special days

DTSTART:<current year><current month><current day>T000000

DTEND:<year of the next day><month of the next day><day of the next day>T000000

UID:*uid*

END:VEVENT



END:VCALENDAR"

3. If *specialDayState* is equal to *false*, do the following steps:

3.1. *days* := "BEGIN:VCALENDAR

BEGIN:VEVENT

SUMMARY:Test special days

DTSTART:<year of the day that was two days before the current day><month of the day that was two days before the current day><day that was two days before the current day>T000000

DTEND:<year of the previous day><month of the previous day><day of the previous day>T000000

UID:*uid*

END:VEVENT

END:VCALENDAR"

## A.17 Generate iCalendar value for Schedule with required number of time periods per day

**Name:**HelperScheduleiCalTimePeriodsGeneration

**Procedure Purpose:** Helper procedure to generate iCalendar value for Schedule.Standard field with required number of time periods per day.

**Pre-requisite:** Schedule Service is received from the DUT.

**Input:** The Schedule service capabilities (*cap*), the number of time periods per day (*numberPeriodsPerDay*).

**Returns:** iCalendar value for Standard field (*scheduleiCalendarValue*) that is compliant to [RFC 2445].

**Procedure:**

1. Set the following:
  - *k* := 1
2. For *k* = 1 to *numberPeriodsPerDay*:

- 2.1. ONVIF Client generates Unique Identifier value for UID field in iCalendar (out *uidk*) by following the procedure mentioned in [Annex A.6](#).
- 2.2.  $k := k+1$
3. If *cap.ExtendedRecurrenceSupported* is equal to true, set the following:
  - *scheduleiCalendarValue* := "BEGIN:VCALENDAR  
 BEGIN:VEVENT  
 SUMMARY:required number of time periods per day  
 DTSTART:<current year><current month><current day>T000100  
 DTEND:<current year><current month><current day>T000200  
 RRULE:FREQ=DAILY  
 UID:*uid1*  
 END:VEVENT  
 BEGIN:VEVENT  
 SUMMARY:required number of time periods per day  
 DTSTART:<current year><current month><current day>T000300  
 DTEND:<current year><current month><current day>T000400  
 RRULE:FREQ=DAILY  
 UID:*uid2*  
 END:VEVENT  
 ...  
 BEGIN:VEVENT  
 SUMMARY:required number of time periods per day  
 DTSTART:<current year><current month><current day>T<time of DTEND in the previous VEVENT + 1min>  
 DTEND:<current year><current month><current day>T<time of current DTSTART + 1min>

RRULE:FREQ=DAILY

UID:*uidk*

END:VEVENT

END:VCALENDAR"

4. If *cap.ExtendedRecurrenceSupported* is equal to false, set the following:

- *scheduleiCalendarValue* := "BEGIN:VCALENDAR

BEGIN:VEVENT

SUMMARY:required number of time periods per day

DTSTART:1970<current month><current day>T000100

DTEND:1970<current month><current day>T000200

RRULE:FREQ=WEEKLY;BYDAY=MO,TU,WE,TH,FR

UID:*uid1*

END:VEVENT

BEGIN:VEVENT

SUMMARY: required number of time periods per day

DTSTART:1970<current month><current day>T000300

DTEND:1970<current month><current day>T000400

RRULE:FREQ=WEEKLY;BYDAY=MO,TU,WE,TH,FR

UID:*uid2*

END:VEVENT

...

BEGIN:VEVENT

SUMMARY:required number of time periods per day

DTSTART:1970<current month><current day>T<time of DTEND in the previous VEVENT  
+ 1min>

```
DTEND:1970<current month><current day>T<time of current DTSTART + 1min>
RRULE:FREQ=WEEKLY;BYDAY=MO,TU,WE,TH,FR
UID:uidk
END:VEVENT
END:VCALENDAR"
```

**Note:** If *numberPeriodsPerDay* value does not allow creating of *numberPeriodsPerDay* VEVENT items with different periods (value is more than 720), then the number of time periods will be restricted.

## A.18 Create Pull Point Subscription

**Name:** HelperCreatePullPointSubscription

**Procedure Purpose:** Helper procedure to create PullPoint Subscription with specified Topic.

**Pre-requisite:** Event Service is received from the DUT.

**Input:** Notification Topic (*topic*).

**Returns:** Subscription reference (*s*), current time for the DUT (*ct*), subscription termination time (*tt*).

**Procedure:**

1. ONVIF Client invokes **CreatePullPointSubscription** request with parameters
  - Filter.TopicExpression := *topic*
  - Filter.TopicExpression.@Dialect := "http://www.onvif.org/ver10/tev/topicExpression/ConcreteSet"
2. The DUT responds with **CreatePullPointSubscriptionResponse** message with parameters
  - SubscriptionReference =: *s*
  - CurrentTime =: *ct*
  - TerminationTime =: *tt*

**Procedure Result:**

**PASS –**

- DUT passes all assertions.

**FAIL –**

- DUT did not send **CreatePullPointSubscriptionResponse** message.

## A.19 Delete Subscription

**Name:** HelperDeleteSubscription

**Procedure Purpose:** Helper procedure to delete subscription.

**Pre-requisite:** Event Service is received from the DUT.

**Input:** Subscription reference (s)

**Returns:** None

**Procedure:**

1. ONVIF Client sends an **Unsubscribe** to the subscription endpoint s.
2. The DUT responds with **UnsubscribeResponse** message.

**Procedure Result:**

**PASS –**

- DUT passes all assertions.

**FAIL –**

- DUT did not send **UnsubscribeResponse** message.

## A.20 Retrieve Schedule Changed Event by PullPoint

**Name:** HelperPullScheduleChanged

**Procedure Purpose:** Helper procedure to retrieve and check tns1:Configuration/Schedule/Changed event with PullMessages.

**Pre-requisite:** Event Service is received from the DUT.

**Input:** Subscription reference (s), current time for the DUT (ct), Subscription termination time (tt) and Schedule token (scheduleToken).

**Returns:** None

**Procedure:**

1. Until *operationDelay* timeout expires, repeat the following steps:
  - 1.1. ONVIF Client waits for time  $t := \min\{(tt-ct)/2, 1 \text{ second}\}$ .
  - 1.2. ONVIF Client invokes **PullMessages** to the subscription endpoint *s* request with parameters
    - Timeout := PT60S
    - MessageLimit := 1
  - 1.3. The DUT responds with **PullMessagesResponse** message with parameters
    - CurrentTime =: *ct*
    - TerminationTime =: *tt*
    - NotificationMessage list =: *notificationMessageList*
  - 1.4. If *notificationMessageList* is not empty and the ScheduleToken source simple item in *notificationMessageList* is equal to *scheduleToken*, skip other steps and finish the procedure.
  - 1.5. If *operationDelay* timeout expires for step 1 without Notification with Token source simple item equal to *scheduleToken*, FAIL the test, restore the DUT state, and skip other steps.

**Procedure Result:****PASS –**

- DUT passes all assertions.

**FAIL –**

- DUT did not send **PullMessagesResponse** message.

**Note:** *operationDelay* will be taken from Operation Delay field of ONVIF Device Test Tool.

## A.21 Retrieve Special Days Changed Event by PullPoint

**Name:** HelperPullSpecialDaysChanged

**Procedure Purpose:** Helper procedure to retrieve and check tns1:Configuration/SpecialDays/Changed event with PullMessages.

**Pre-requisite:** Event Service is received from the DUT.

**Input:** Subscription reference (*s*), current time for the DUT (*ct*), Subscription termination time (*tt*) and Special Day Group token (*specialDaysToken*).

**Returns:** None

**Procedure:**

1. Until *operationDelay* timeout expires, repeat the following steps:
  - 1.1. ONVIF Client waits for time  $t := \min\{(tt-ct)/2, 1 \text{ second}\}$ .
  - 1.2. ONVIF Client invokes **PullMessages** to the subscription endpoint *s* request with parameters
    - Timeout := PT60S
    - MessageLimit := 1
  - 1.3. The DUT responds with **PullMessagesResponse** message with parameters
    - CurrentTime =: *ct*
    - TerminationTime =: *tt*
    - NotificationMessage list =: *notificationMessageList*
  - 1.4. If *notificationMessageList* is not empty and the SpecialDaysToken source simple item in *notificationMessageList* is equal to *specialDaysToken*, skip other steps and finish the procedure.
  - 1.5. If *operationDelay* timeout expires for step 1 without Notification with Token source simple item equal to *specialDaysToken*, FAIL the test, restore the DUT state, and skip other steps.

**Procedure Result:**

**PASS –**

- DUT passes all assertions.

**FAIL –**

- DUT did not send **PullMessagesResponse** message.

**Note:** *operationDelay* will be taken from Operation Delay field of ONVIF Device Test Tool.