

# ONVIF<sup>®</sup>

# Device IO Device Test Specification

Version 20.06

June 2020

© 2020 ONVIF, Inc. All rights reserved.

Recipients of this document may copy, distribute, publish, or display this document so long as this copyright notice, license and disclaimer are retained with all copies of the document. No license is granted to modify this document.

THIS DOCUMENT IS PROVIDED "AS IS," AND THE CORPORATION AND ITS MEMBERS AND THEIR AFFILIATES, MAKE NO REPRESENTATIONS OR WARRANTIES, EXPRESS OR IMPLIED, INCLUDING BUT NOT LIMITED TO, WARRANTIES OF MERCHANTABILITY, FITNESS FOR A PARTICULAR PURPOSE, NON-INFRINGEMENT, OR TITLE; THAT THE CONTENTS OF THIS DOCUMENT ARE SUITABLE FOR ANY PURPOSE; OR THAT THE IMPLEMENTATION OF SUCH CONTENTS WILL NOT INFRINGE ANY PATENTS, COPYRIGHTS, TRADEMARKS OR OTHER RIGHTS.

IN NO EVENT WILL THE CORPORATION OR ITS MEMBERS OR THEIR AFFILIATES BE LIABLE FOR ANY DIRECT, INDIRECT, SPECIAL, INCIDENTAL, PUNITIVE OR CONSEQUENTIAL DAMAGES, ARISING OUT OF OR RELATING TO ANY USE OR DISTRIBUTION OF THIS DOCUMENT, WHETHER OR NOT (1) THE CORPORATION, MEMBERS OR THEIR AFFILIATES HAVE BEEN ADVISED OF THE POSSIBILITY OF SUCH DAMAGES, OR (2) SUCH DAMAGES WERE REASONABLY FORESEEABLE, AND ARISING OUT OF OR RELATING TO ANY USE OR DISTRIBUTION OF THIS DOCUMENT. THE FOREGOING DISCLAIMER AND LIMITATION ON LIABILITY DO NOT APPLY TO, INVALIDATE, OR LIMIT REPRESENTATIONS AND WARRANTIES MADE BY THE MEMBERS AND THEIR RESPECTIVE AFFILIATES TO THE CORPORATION AND OTHER MEMBERS IN CERTAIN WRITTEN POLICIES OF THE CORPORATION.

## REVISION HISTORY

Vers.	Date	Description
16.06	Mar 16, 2016	Original publication
16.06	Mar 30, 2016	The tests DEVICEIO-3-1-1 - DEVICEIO-3-1-4 have been added.
16.06	Apr 6, 2016	The DEVICEIO-1-2-1 - DEVICEIO-1-2-4 and DEVICEIO-3-1-4 have been updated according to feedback from Sano Hiroyuki.
16.06	Apr 11, 2016	Implemented comments from Sano Hiroyuki about redundant event-testing steps. Implemented comments of Bhetanabottla Sriram from Canon.
16.07	Jun 22, 2016	Minor spellcheck and version number correction
16.07	Jul 13, 2016	Tests sequences updated.
16.07	Jul 27, 2016	Implemented comments from Canon and Sony
16.07	Aug 5, 2016	Bugfixes based on comments from Hiroyuki Sano
16.12	Dec 08, 2016	REALTIME PULLPOINT SUBSCRIPTION – DIGITAL INPUT EVENT was moved from ONVIF Base Test specification to ONVIF Device IO Test specification  Test section 'Digital Input Configuration' was renamed to 'Digital Input'
16.12	Dec 15, 2016	The following test cases were updated:  IO SETRELAYOUTPUTSTATE – BISTABLE MODE (OPENED IDLE STATE)  IO SETRELAYOUTPUTSTATE – BISTABLE MODE (CLOSED IDLE STATE)  IO SETRELAYOUTPUTSTATE – MONOSTABLE MODE (OPENED IDLE STATE)  IO SETRELAYOUTPUTSTATE – MONOSTABLE MODE (CLOSED IDLE STATE)
17.01	Jan 16, 2017	Minor changes based on Sony review.
17.06	Jan 31, 2017	DEVICE IO TRIGGER EVENT test was added according to #1279  The following test cases were updated according to #1279:  IO SETRELAYOUTPUTSTATE – BISTABLE MODE (OPENED IDLE STATE)  IO SETRELAYOUTPUTSTATE – BISTABLE MODE (CLOSED IDLE STATE)  IO SETRELAYOUTPUTSTATE – MONOSTABLE MODE (OPENED IDLE STATE)  IO SETRELAYOUTPUTSTATE – MONOSTABLE MODE (CLOSED IDLE STATE)
17.06	Mar 27, 2017	DEVICEIO-4-1-1 IO GET AUDIO SOURCES added according to #1349.

17.06	Mar 27, 2017	<p>Current document name was changed from Device IO Test Specification to Device IO Device Test Specification.</p> <p>The document formatting were updated.</p>
17.12	Jul 11, 2017	<p>The following test cases and annexes were added according #1402:</p> <p>DEVICEIO-5-1-1 GET VIDEOSOURCES (DeviceIO) AND GET VIDEOSOURCES (Media) CONSISTENCY</p>
17.12	Jul 11, 2017	<p>The following test cases were added according #1178:</p> <p>DEVICEIO-6-1-1 IO GET SERIAL PORTS</p> <p>DEVICEIO-6-1-2 IO GET SERIAL PORT CONFIGURATION AND GET SERIAL PORT OPTIONS</p> <p>DEVICEIO-6-1-3 IO MODIFY SERIAL PORT CONFIGURATION</p> <p>DEVICEIO-6-1-4 IO RECEIVE SERIAL COMMAND</p> <p>DEVICEIO-6-1-5 IO SEND SERIAL COMMAND</p> <p>DEVICEIO-6-1-6 IO GETSERIALPORTCONFIGURATION COMMAND - INVALID TOKEN</p> <p>DEVICEIO-6-1-7 IO GETSERIALPORTCONFIGURATIONOPTIONS COMMAND - INVALID TOKEN</p> <p>DEVICEIO-6-1-8 IO SETSERIALPORTCONFIGURATION COMMAND - INVALID SETTINGS</p> <p>Annex A.7 Get Device IO Service Capabilities</p> <p>Annex A.8 Get Relay Outputs List</p>
17.12	Jul 12, 2017	<p>The following test cases were changed according to #1403</p> <p>DEVICEIO-1-2-1 IO SETRELAYOUTPUTSTATE – BISTABLE MODE (OPENED IDLE STATE)</p> <p>DEVICEIO-1-2-2 IO SETRELAYOUTPUTSTATE – BISTABLE MODE (CLOSED IDLE STATE)</p> <p>DEVICEIO-1-2-3 IO SETRELAYOUTPUTSTATE – MONOSTABLE MODE (OPENED IDLE STATE)</p> <p>DEVICEIO-1-2-4 IO SETRELAYOUTPUTSTATE – MONOSTABLE MODE (CLOSED IDLE STATE)</p> <p>DEVICEIO-2-1-2 DEVICE IO TRIGGER EVENT</p>
17.12	Jul 13, 2017	<p>The following test cases were changed according to #1406</p> <p>DEVICEIO-3-1-3 IOGET DIGITAL INPUT CONFIGURATION OPTIONS</p> <p>DEVICEIO-3-1-4 IO DIGITAL INPUT CONFIGURATION</p>
17.12	Oct 30, 2017	<p>The following test case was added according to #1496:</p> <p>DEVICEIO-7-1-1 IO GET VIDEO SOURCES</p> <p>The following test case was added according to #1502:</p>

		DEVICEIO-8-1-1 IO GET AUDIO OUTPUTS
18.06	Jan 11, 2018	The following test case was updated according to #1528: DEVICEIO-1-1-4 IO SETRELAYOUTPUTSETTINGS
18.06	Jan 12, 2018	The following test case was updated according to #1565: DEVICEIO-2-1-1 REALTIME PULLPOINT SUBSCRIPTION – DIGITAL INPUT EVENT
18.06	Jan 24, 2018	The following test case was updated according to #1567: DEVICEIO-1-1-3 IO GETRELAYOUTPUTOPTIONS (pre-requisite updated) DEVICEIO-1-1-4 IO SETRELAYOUTPUTSETTINGS (pre-requisite updated) DEVICEIO-1-2-1 IO SETRELAYOUTPUTSTATE – BISTABLE MODE (OPENED IDLE STATE) (pre-requisite updated) DEVICEIO-1-2-2 IO SETRELAYOUTPUTSTATE – BISTABLE MODE (CLOSED IDLE STATE) (pre-requisite updated) DEVICEIO-1-2-3 IO SETRELAYOUTPUTSTATE – MONOSTABLE MODE (OPENED IDLE STATE) (pre-requisite updated) DEVICEIO-1-2-4 IO SETRELAYOUTPUTSTATE – MONOSTABLE MODE (CLOSED IDLE STATE) (pre-requisite updated) Annex A.3 Select Relay Output with supporting of required RelayMode (pre-requisite updated)
18.06	Jun 21, 2018	Reformatting document using new template
18.06 SR1	Aug 27, 2018	The following test case was updated according to #1711: DEVICEIO-1-1-4 IO SETRELAYOUTPUTSETTINGS (steps 6.6.1 and 6.7.4 were added, steps 6.6.2, 6.6.9, 6.7.5, and 6.7.12 were updated) DEVICEIO-1-2-1 IO SETRELAYOUTPUTSTATE – BISTABLE MODE (OPENED IDLE STATE) (steps 5, 9, 14, 17 were updated, steps 3, 4, 6 were removed, steps 9, 13, 17 were added, Test Results were updated, Pre-Requisite was updated, Specification Coverage was updated, Note was removed) DEVICEIO-1-2-2 IO SETRELAYOUTPUTSTATE – BISTABLE MODE (CLOSED IDLE STATE) (steps 5, 9, 14, 17 were updated, steps 3, 4, 6 were removed, steps 9, 13, 17 were added, Test Results were updated, Pre-Requisite was updated, Specification Coverage was updated, Note was removed) DEVICEIO-1-2-3 IO SETRELAYOUTPUTSTATE – MONOSTABLE MODE (OPENED IDLE STATE) (steps 5, 10, 16, 18 were updated, steps 3, 4, 6 were removed, steps 11, 18 were added, Test Results were updated, Pre-Requisite was updated, Specification Coverage was updated, Note was removed) DEVICEIO-1-2-4 IO SETRELAYOUTPUTSTATE – MONOSTABLE MODE (CLOSED IDLE STATE) (steps 5, 10, 16, 18 were updated, steps 3, 4, 6 were removed, steps 11, 18 were added, Test Results were updated, Pre-Requisite was updated, Specification Coverage was updated, Note was removed)

		<p>A.3 Select Relay Output with supporting of required RelayMode (removed)</p> <p>A.3 Select Relay Output with supporting of required Relay Mode and Idle State (added)</p>
19.12	Sep 5, 2019	<p>The following test case was updated according to #1890:</p> <p>DEVICEIO-1-2-3 IO SETRELAYOUTPUTSTATE – MONOSTABLE MODE (OPENED IDLE STATE) (updated)</p> <p>DEVICEIO-1-2-4 IO SETRELAYOUTPUTSTATE – MONOSTABLE MODE (CLOSED IDLE STATE) (updated)</p> <p>A.10 Move Relay Output to Monostable Mode with Inactive Logical State (added)</p>
20.06	May 13, 2020	<p>Pre-Requisite of the following test cases updated with adding of Pull-Point Notification feature according to #1999:</p> <p>DEVICEIO-2-1-1 REALTIME PULLPOINT SUBSCRIPTION – DIGITAL INPUT EVENT</p>

## Table of Contents

<b>1</b>	<b>Introduction</b> .....	<b>10</b>
1.1	Scope .....	10
1.1.1	Relay Outputs .....	11
1.1.2	Digital Inputs .....	11
1.1.3	Video Source .....	11
1.1.4	Audio Output .....	11
<b>2</b>	<b>Normative references</b> .....	<b>12</b>
<b>3</b>	<b>Terms and Definitions</b> .....	<b>14</b>
3.1	Conventions .....	14
3.2	Definitions .....	14
<b>4</b>	<b>Test Overview</b> .....	<b>15</b>
4.1	Test Setup .....	15
4.1.1	Network Configuration for DUT .....	15
4.2	Prerequisites .....	16
4.3	Test Policy .....	16
4.3.1	Relay Output .....	16
4.3.2	Events .....	16
4.3.3	Digital Input .....	17
4.3.4	Digital Input .....	17
4.3.5	Video Source .....	17
4.3.6	Audio Output .....	17
<b>5</b>	<b>Device IO Test Cases</b> .....	<b>18</b>
5.1	Relay Output .....	18
5.1.1	IO GETRELAYOUTPUTS .....	18
5.1.2	IO GETRELAYOUTPUTS – VERIFY QUANTITY .....	19
5.1.3	IO GETRELAYOUTPUTOPTIONS .....	20
5.1.4	IO SETRELAYOUTPUTSETTINGS .....	21
5.1.5	IO SETRELAYOUTPUTSETTINGS – INVALID TOKEN .....	25
5.2	Relay Output State .....	26

- 5.2.1 IO SETRELAYOUTPUTSTATE – BISTABLE MODE (OPENED IDLE STATE) ..... 26
- 5.2.2 IO SETRELAYOUTPUTSTATE – BISTABLE MODE (CLOSED IDLE STATE) ..... 29
- 5.2.3 IO SETRELAYOUTPUTSTATE – MONOSTABLE MODE (OPENED IDLE STATE) ..... 32
- 5.2.4 IO SETRELAYOUTPUTSTATE – MONOSTABLE MODE (CLOSED IDLE STATE) ..... 36
- 5.3 Events ..... 39
  - 5.3.1 REALTIME PULLPOINT SUBSCRIPTION – DIGITAL INPUT EVENT ..... 39
  - 5.3.2 DEVICE IO TRIGGER EVENT ..... 42
- 5.4 Digital Input ..... 43
  - 5.4.1 IO GETDIGITALINPUTS ..... 43
  - 5.4.2 IO GETDIGITALINPUTS – VERIFY QUANTITY ..... 44
  - 5.4.3 IOGET DIGITAL INPUT CONFIGURATION OPTIONS ..... 45
  - 5.4.4 IO DIGITAL INPUT CONFIGURATION ..... 47
- 5.5 Audio Source ..... 49
  - 5.5.1 IO GET AUDIO SOURCES ..... 49
- 5.6 Consistency ..... 50
  - 5.6.1 GET VIDEOSOURCES (DeviceIO) AND GET VIDEOSOURCES (Media) CONSISTENCY ..... 50
- 5.7 Serial Port ..... 51
  - 5.7.1 IO GET SERIAL PORTS ..... 51
  - 5.7.2 IO GET SERIAL PORT CONFIGURATION AND GET SERIAL PORT OPTIONS ..... 52
  - 5.7.3 IO MODIFY SERIAL PORT CONFIGURATION ..... 54
  - 5.7.4 IO RECEIVE SERIAL COMMAND ..... 57
  - 5.7.5 IO SEND SERIAL COMMAND ..... 60
  - 5.7.6 IO GETSERIALPORTCONFIGURATION COMMAND - INVALID TOKEN .... 61
  - 5.7.7 IO GETSERIALPORTCONFIGURATIONOPTIONS COMMAND - INVALID TOKEN ..... 62



5.7.8	IO SETSERIALPORTCONFIGURATION COMMAND - INVALID SETTINGS .....	63
5.8	Video Source .....	65
5.8.1	IO GET VIDEO SOURCES .....	65
5.9	Audio Output .....	66
5.9.1	IO GET AUDIO OUTPUTS .....	66
<b>A</b>	<b>Helper Procedures and Additional Notes .....</b>	<b>68</b>
A.1	Action URI's for Event Service Messages .....	68
A.2	Get Relay Outputs List .....	69
A.3	Select Relay Output with supporting of required Relay Mode and Idle State .....	70
A.4	Create Pull Point Subscription .....	71
A.5	Delete Subscription .....	72
A.6	Restore Relay Output settings .....	72
A.7	Get Device IO Service Capabilities .....	73
A.8	Get Serial Ports List .....	74
A.9	Retrieve Relay Output Trigger Event by PullPoint .....	74
A.10	Move Relay Output to Monostable Mode with Inactive Logical State .....	76

# 1 Introduction

The goal of the ONVIF test specification set is to make it possible to realize fully interoperable IP physical security implementation from different vendors. The set of ONVIF test specification describes the test cases need to verify the [ONVIF DeviceIO Service Specs] and [ONVIF Conformance] requirements. It also describes the test framework, test setup, pre-requisites, test policies needed for the execution of the described test cases.

This ONVIF Device IO Test Specification acts as a supplementary document to the [ONVIF DeviceIO Service Specs], illustrating test cases need to be executed and passed. And also this specification acts as an input document to the development of test tool which will be used to test the ONVIF device implementation conformance towards ONVIF standard. This test tool is referred as ONVIF Client hereafter.

## 1.1 Scope

This ONVIF Device IO Test Specification defines and regulates the conformance testing procedure for the ONVIF conformant devices. Conformance testing is meant to be functional black-box testing. The objective of this specification is to provide test cases to test individual requirements of ONVIF devices according to ONVIF Device IO Service which is defined in [ONVIF DeviceIO Service Specs].

The principal intended purposes are:

1. Provide self-assessment tool for implementations.
2. Provide comprehensive test suite coverage for [ONVIF Network Interface Specs].

This specification does not address the following:

1. Product use cases and non-functional (performance and regression) testing.
2. SOAP Implementation Interoperability test i.e. Web Service Interoperability Basic Profile version 2.0 (WS-I BP 2.0).
3. Network protocol implementation Conformance test for HTTP, HTTPS, RTP protocol.
4. Wi-Fi Conformance test

The set of ONVIF Test Specification will not cover the complete set of requirements as defined in [ONVIF DeviceIO Service Specs]; instead it would cover subset of it. The scope of this specification is to derive all the normative requirements of [ONVIF DeviceIO Service Specs] which are related to ONVIF Device IO Service and some of the optional requirements.

This ONVIF DeviceIO Test Specification covers Device IO service which is a functional block of [ONVIF Network Interface Specs]. The following sections describe the brief overview of and scope of each functional block.

## 1.1.1 Relay Outputs

Relay Outputs section covers the test cases needed for the verification of Relay Outputs service features as mentioned in [ONVIF DeviceIO Service Specs]. The DeviceIO service is used to retrieve and configure the settings of physical outputs of a device.

Briefly it covers the following things:

1. Manage Relay Output Configuration
2. Change Relay Output State

## 1.1.2 Digital Inputs

Digital Inputs section covers the test cases needed for the verification of Digital Inputs service features as mentioned in [ONVIF DeviceIO Service Specs]. The DeviceIO service is used to retrieve and configure the settings of physical inputs of a device.

Briefly it covers the following thing.

1. Configure Digital Input idle state.

## 1.1.3 Video Source

Video Source section covers the test cases needed for the verification of Get Video Sources command as mentioned in [ONVIF DeviceIO Service Specs]. The DeviceIO service is used to retrieve video source list from a device.

## 1.1.4 Audio Output

Audio Output section covers the test cases needed for the verification of Get Audio Outputs command as mentioned in [ONVIF DeviceIO Service Specs]. The DeviceIO service is used to retrieve audio output list from a device.

## 2 Normative references

- [ONVIF Conformance] ONVIF Conformance Process Specification:  
<https://www.onvif.org/profiles/conformance/>
- [ONVIF Profile Policy] ONVIF Profile Policy:  
<https://www.onvif.org/profiles/>
- [ONVIF Network Interface Specs] ONVIF Network Interface Specification documents:  
<https://www.onvif.org/profiles/specifications/>
- [ONVIF Core Specs] ONVIF Core Specifications:  
<https://www.onvif.org/profiles/specifications/>
- [ONVIF DeviceIO Service Specs] ONVIF DEvice IO Specifications:  
<https://www.onvif.org/profiles/specifications/>
- [ONVIF Base Test] ONVIF Base Device Test Specification:  
<https://www.onvif.org/profiles/conformance/device-test/>
- [ISO/IEC Directives, Part 2] ISO/IEC Directives, Part 2, Annex H:  
<http://www.iso.org/directives>
- [ISO 16484-5] ISO 16484-5:2014-09 Annex P:  
<https://www.iso.org/obp/ui/#iso:std:63753:en>
- [SOAP 1.2, Part 1] W3C SOAP 1.2, Part 1, Messaging Framework:  
<http://www.w3.org/TR/soap12-part1/>
- [XML-Schema, Part 1] W3C XML Schema Part 1: Structures Second Edition:  
<http://www.w3.org/TR/xmlschema-1/>
- [XML-Schema, Part 2] W3C XML Schema Part 2: Datatypes Second Edition:  
<http://www.w3.org/TR/xmlschema-2/>
- [WS-Security] "Web Services Security: SOAP Message Security 1.1 (WS-Security 2004)", OASIS Standard, February 2006.:

<http://www.oasis-open.org/committees/download.php/16790/wss-v1.1-spec-os-SOAPMessageSecurity.pdf>

## 3 Terms and Definitions

### 3.1 Conventions

The key words "shall", "shall not", "should", "should not", "may", "need not", "can", "cannot" in this specification are to be interpreted as described in [ISO/IEC Directives Part 2].

### 3.2 Definitions

This section defines terms that are specific to the ONVIF Device IO Service and tests. For a list of applicable general terms and definitions, please see [ONVIF Base Test].

<b>Relay Output</b>	physical outputs of a device.
<b>Digital Input</b>	physical inputs of a device

## 4 Test Overview

This section provides information the test setup procedure and required prerequisites, and the test policies that should be followed for test case execution.

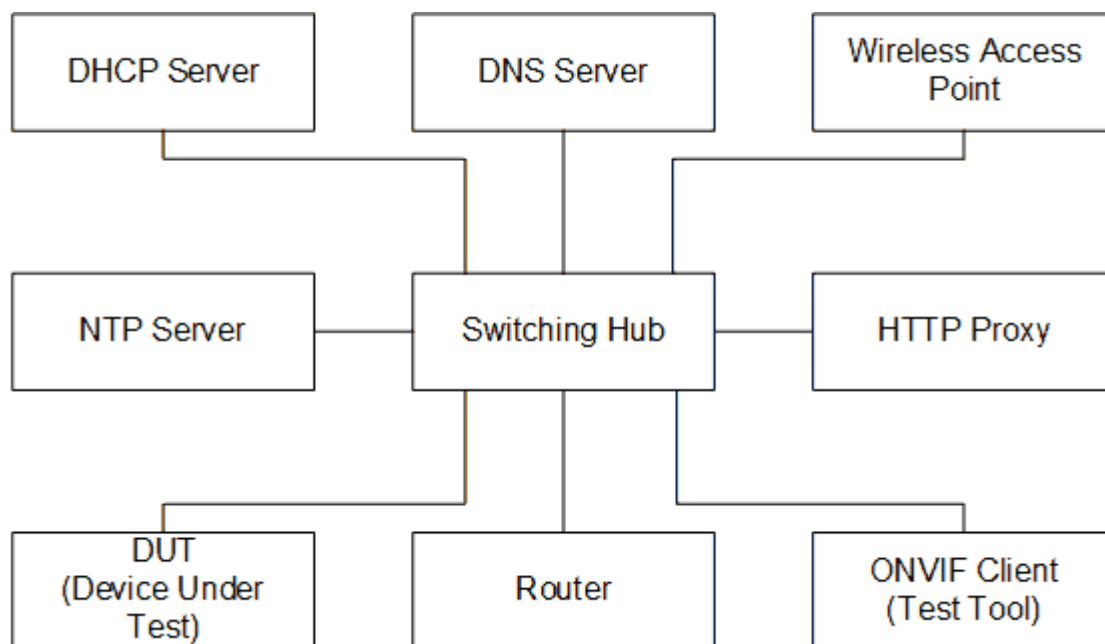
### 4.1 Test Setup

#### 4.1.1 Network Configuration for DUT

The generic test configuration for the execution of test cases defined in this document is as shown below (Figure 4.1).

Based on the individual test case requirements, some of the entities in the below setup may not be needed for the execution of those corresponding test cases.

**Figure 4.1. Test Configuration for DUT**



**DUT:** ONVIF device to be tested. Hereafter, this is referred to as DUT (Device Under Test).

**ONVIF Client (Test Tool):** Tests are executed by this system and it controls the behavior of the DUT. It handles both expected and unexpected behavior.

**HTTP Proxy:** provides facilitation in case of RTP and RTSP tunneling over HTTP.

**Wireless Access Point:** provides wireless connectivity to the devices that support wireless connection.

**DNS Server:** provides DNS related information to the connected devices.

**DHCP Server:** provides IPv4 Address to the connected devices.

**NTP Server:** provides time synchronization between ONVIF Client and DUT.

**Switching Hub:** provides network connectivity among all the test equipments in the test environment. All devices should be connected to the Switching Hub. When running multiple test instances in parallel on the same network, the Switching Hub should be configured to use filtering in order to avoid multicast traffic being flooded to all ports, because this may affect test stability.

**Router:** provides router advertisements for IPv6 configuration.

## 4.2 Prerequisites

The pre-requisites for executing the test cases described in this Test Specification are:

1. The DUT shall be configured with an IPv4 address.
2. The DUT shall be IP reachable [in the test configuration].
3. The DUT shall be able to be discovered by the Test Tool.
4. The DUT shall be configured with the time, i.e. manual configuration of UTC time and if NTP is supported by the DUT then NTP time shall be synchronized with NTP Server.
5. The DUT time and Test tool time shall be synchronized with each other either manually or by a common NTP server.

## 4.3 Test Policy

This section describes the test policies specific to the test case execution of each functional block.

The DUT shall adhere to the test policies defined in this section.

### 4.3.1 Relay Output

DUT should respond with proper response message for all SOAP actions. Sending fault messages such as "ter:ConfigurationConflict" will be treated as FAILURE of the test cases.

Please refer to [Section 5.1](#) and [Section 5.2](#) for Relay Output Test Cases.

### 4.3.2 Events

If DUT supports Digital Inputs feature, DUT should support tns1:Device/Trigger/DigitalInput event.



Please refer to [Section 5.3](#) for Digital Input Test Cases.

### 4.3.3 Digital Input

DUT should respond with proper response message for all SOAP actions. Sending fault messages such as "ter:ConfigurationConflict" will be treated as FAILURE of the test cases.

Please refer to [Section 5.4](#) for Digital Input Test Cases.

### 4.3.4 Digital Input

DUT should respond with proper response message for all SOAP actions.

Please refer to [Section 5.5](#) for Digital Input Test Cases.

### 4.3.5 Video Source

DUT shall support the following commands:

- `GetVideoSources`

Please refer to [Section 5.8](#) for Video Source Test Cases.

### 4.3.6 Audio Output

If DUT supports Media2 Audio Output, then DUT shall support the following commands:

- `GetAudioOutputs`

Please refer to [Section 5.9](#) for Audio Output Test Cases.

## 5 Device IO Test Cases

### 5.1 Relay Output

#### 5.1.1 IO GETRELAYOUTPUTS

**Test Case ID:** DEVICEIO-1-1-1

**Specification Coverage:** None

**Feature Under Test:** GetRelayOutputs

**WSDL Reference:** deviceio.wsdl

**Test Purpose:** To retrieve DUT relay outputs using GetRelayOutputs command.

**Pre-Requisite:** Device IO service is supported by DUT. Relay Outputs supported by DUT.

**Test Configuration:** ONVIF Client and DUT

**Test Procedure:**

1. Start an ONVIF Client.
2. Start the DUT.
3. ONVIF Client invokes **GetRelayOutputs** request to retrieve relay outputs supported by the DUT.
4. Verify the **GetRelayOutputsResponse** message from the DUT.

**Test Result:**

**PASS –**

- DUT passes all assertions.

**FAIL –**

- The DUT did not send **GetRelayOutputsResponse** message.
- The DUT did not send valid **GetRelayOutputsResponse** message.
- The DUT sent at least two RelayOutputs with the same token.

## 5.1.2 IO GETRELAYOUTPUTS – VERIFY QUANTITY

**Test Case ID:** DEVICEIO-1-1-2

**Specification Coverage:** None

**Feature Under Test:** GetRelayOutputs, GetServiceCapabilities

**WSDL Reference:** deviceio.wsdl

**Test Purpose:** To verify the number of Relay outputs from **GetRelayOutputsResponse** message.

**Pre-Requisite:** Device IO service is supported by DUT. Relay Outputs supported by DUT.

**Test Configuration:** ONVIF Client and DUT

### Test Procedure:

1. Start an ONVIF Client.
2. Start the DUT.
3. ONVIF Client invokes **GetServiceCapabilities** request.
4. DUT sends **GetServiceCapabilitiesResponse** message. ONVIF Client verifies the response.
5. ONVIF Client invokes **GetRelayOutputs** request to retrieve relay outputs supported by the DUT.
6. DUT sends **GetRelayOutputsResponse** message with a list of relay outputs supported.
7. Verify the **GetRelayOutputsResponse** message from the DUT.
8. Verify the number of Relay Outputs in **GetRelayOutputsResponse** message. This number should be equal to the Capabilities.RelayOutputs number in **GetServiceCapabilitiesResponse** message.

### Test Result:

#### PASS –

- DUT passes all assertions.

#### FAIL –

- The DUT did not send **GetServiceCapabilitiesResponse** message.

- The DUT did not send valid **GetServiceCapabilitiesResponse** message.
- The DUT did not send **GetRelayOutputsResponse** message.
- The DUT did not send valid **GetRelayOutputsResponse** message.
- The number of Relay Outputs in **GetRelayOutputsResponse** message is not equal to Device.IO.RelayOutputs number from **GetServiceCapabilitiesResponse** message.

### 5.1.3 IO GETRELAYOUTPUTOPTIONS

**Test Case ID:** DEVICEIO-1-1-3

**Specification Coverage:** None

**Feature Under Test:** GetRelayOutputs, GetRelayOutputOptions

**WSDL Reference:** deviceio.wsdl

**Test Purpose:** To verify the behavior of GetRelayOutputOptions command.

**Pre-Requisite:** Device IO service is supported by DUT. Relay Outputs supported by DUT. Relay Output Options supported by DUT.

**Test Configuration:** ONVIF Client and DUT

**Test Procedure:**

1. Start an ONVIF Client.
2. Start the DUT.
3. ONVIF Client invokes **GetRelayOutputs** request to retrieve a list of all available relay outputs and their settings
4. The DUT sends the **GetRelayOutputsResponse** message with list of all available relay outputs and their settings.
5. ONVIF Client verifies the **GetRelayOutputsResponse** message from the DUT.
6. ONVIF Client selects first relay output from **GetRelayOutputsResponse** message, saves this relay output in *RelayOutput1* variable. Then it runs the following steps:
  - 6.1. ONVIF Client invokes **GetRelayOutputOptions** request RelayOutputToken = *RelayOutput1* token as input parameter.
  - 6.2. The DUT sends **GetRelayOutputOptionsResponse**.

6.3. ONVIF client verifies the **GetRelayOutputOptionsResponse** message.

**Test Result:**

**PASS –**

- DUT passes all assertions.

**FAIL –**

- The DUT did not send **GetRelayOutputsResponse** message.
- The DUT did not send valid **GetRelayOutputsResponse** message.
- The DUT sent an empty list of RelayOutputs in **GetRelayOutputsResponse** message.
- The DUT did not send **GetRelayOutputOptionsResponse** message.
- The DUT did not send valid **GetRelayOutputOptionsResponse** message.

## 5.1.4 IO SETRELAYOUTPUTSETTINGS

**Test Case ID:** DEVICEIO-1-1-4

**Specification Coverage:** Get relay outputs (Device IO), Get relay output options (Device IO), Set relay output settings (Device IO)

**Feature Under Test:** GetRelayOutputs, SetRelayOutputSettings, GetRelayOutputOptions

**WSDL Reference:** deviceio.wsdl

**Test Purpose:** To verify the behavior of SetRelayOutputSettings command.

**Pre-Requisite:** Device IO service is supported by DUT. Relay Outputs is supported by DUT. Relay Output Options supported by DUT.

**Test Configuration:** ONVIF Client and DUT

**Test Procedure:**

1. Start an ONVIF Client.
2. Start the DUT.
3. ONVIF Client invokes **GetRelayOutputs** request to retrieve a list of all available relay outputs and their settings.

4. The DUT sends the **GetRelayOutputsResponse** message with parameters
  - RelayOutputs list =: *relayOutputsList*
5. If *relayOutputsList* is empty, FAIL the test and skip other steps.
6. For each relay output *relayOutput1* in *relayOutputsList* list repeat the following steps:
  - 6.1. ONVIF Client invokes **GetRelayOutputOptions** request with parameters
    - RelayOutputToken := *relayOutput1.@token*
  - 6.2. The DUT responds with **GetRelayOutputOptionsResponse** message with parameters
    - RelayOutputOptions list := *relayOutputOptionsList*
  - 6.3. If *relayOutputOptionsList* is empty, FAIL the test and skip other steps.
  - 6.4. If *relayOutputOptionsList* contains more than one item, FAIL the test and skip other steps.
  - 6.5. If *relayOutputOptionsList*[0].@token != *relayOutput1.@token*, FAIL the test and skip other steps.
  - 6.6. If *relayOutputOptionsList*[0].Mode list contains item equal to Bistable:
    - 6.6.1. Set *idleState* := ['open', if Bistable Mode\Open Idle State is supported by *relayOutput1*, otherwise 'closed'].
    - 6.6.2. ONVIF Client invokes **SetRelayOutputSettings** request with parameters
      - RelayOutput.@token := *relayOutput1.@token*
      - RelayOutput.Properties.Mode := Bistable
      - RelayOutput.Properties.DelayTime := *relayOutput1.Properties.DelayTime*
      - RelayOutput.Properties.IdleState := *idleState*
    - 6.6.3. The DUT responds with **SetRelayOutputSettingsResponse** message.
    - 6.6.4. ONVIF Client invokes **GetRelayOutputs** request to retrieve a list of all available relay outputs and their settings.
    - 6.6.5. The DUT sends the **GetRelayOutputsResponse** message with parameters
      - RelayOutputs list =: *updatedRelayOutputsList*

- 6.6.6. If *updatedRelayOutputsList* do not contains item with @token = *relayOutput1.@token*, FAIL the test and skip other steps.
- 6.6.7. Set *updatedRelayOutput1* := item from *updatedRelayOutputsList* list with @token = *relayOutput1.@token*.
- 6.6.8. If *updatedRelayOutput1.Properties.Mode* != Bistable, FAIL the test and skip other steps.
- 6.6.9. If *updatedRelayOutput1.Properties.IdleState* != *idleState*, FAIL the test and skip other steps.
- 6.7. If *relayOutputOptionsList[0].Mode* list contains item equal to Monostable:
  - 6.7.1. If *relayOutputOptionsList[0].DelayTimes* is skipped, FAIL the test and skip other steps.
  - 6.7.2. If *relayOutputOptionsList[0].Discrete* is skipped or equal to false:
    - 6.7.2.1. If *relayOutputOptionsList[0].DelayTimes* list do not contains two items, FAIL the test and skip other steps.
    - 6.7.2.2. If  $relayOutputOptionsList[0].DelayTimes[0] > relayOutputOptionsList[0].DelayTimes[1]$ , FAIL the test and skip other steps.
    - 6.7.2.3. Set *delayTime* := nearest to 5 seconds value from the range between *relayOutputOptionsList[0].DelayTimes[0]* and *relayOutputOptionsList[0].DelayTimes[1]*.
  - 6.7.3. If *relayOutputOptionsList[0].Discrete* = true:
    - 6.7.3.1. If *relayOutputOptionsList[0].DelayTimes* list do not contains at least one item, FAIL the test and skip other steps.
    - 6.7.3.2. Set *delayTime* := nearest to 5 seconds value from *relayOutputOptionsList[0].DelayTimes* list.
  - 6.7.4. Set *idleState* := ['closed', if Monostable Mode\Closed Idle State is supported by *relayOutput1*, otherwise 'open'].
  - 6.7.5. ONVIF Client invokes **SetRelayOutputSettings** request with parameters
    - RelayOutput.@token := *relayOutput1.@token*

- RelayOutput.Properties.Mode := Monostable
  - RelayOutput.Properties.DelayTime := *delayTime*
  - RelayOutput.Properties.IdleState := *idleState*
- 6.7.6. The DUT responds with **SetRelayOutputSettingsResponse** message.
- 6.7.7. ONVIF Client invokes **GetRelayOutputs** request to retrieve a list of all available relay outputs and their settings.
- 6.7.8. The DUT sends the **GetRelayOutputsResponse** message with parameters
- RelayOutputs list =: *updatedRelayOutputsList*
- 6.7.9. If *updatedRelayOutputsList* do not contains item with @token = *relayOutput1.@token*, FAIL the test and skip other steps.
- 6.7.10. Set *updatedRelayOutput1* := item from *updatedRelayOutputsList* list with @token = *relayOutput1.@token*.
- 6.7.11. If *updatedRelayOutput1.Properties.Mode* != Monostable, FAIL the test and skip other steps.
- 6.7.12. If *updatedRelayOutput1.Properties.IdleState* != *idleState*, FAIL the test and skip other steps.
- 6.7.13. If *updatedRelayOutput1.Properties.DelayTime* != *delayTime*, FAIL the test and skip other steps.
- 6.8. ONVIF Client invokes **SetRelayOutputSettings** request with parameters
- RelayOutput := *relayOutput1*
- 6.9. The DUT responds with **SetRelayOutputSettingsResponse** message.

**Test Result:****PASS –**

- DUT passes all assertions.

**FAIL –**

- The DUT did not send **GetRelayOutputsResponse** message.
- The DUT did not send **GetRelayOutputOptionsResponse** message.



- The DUT did not send **SetRelayOutputSettingsResponse** message.

## 5.1.5 IO SETRELAYOUTPUTSETTINGS – INVALID TOKEN

**Test Case ID:** DEVICEIO-1-1-5

**Specification Coverage:** None

**Feature Under Test:** SetRelayOutputSettings

**WSDL Reference:** deviceio.wsdl

**Test Purpose:** To verify the behavior of SetRelayOutputSettings command in case of invalid token.

**Pre-Requisite:** Device IO service is supported by DUT. Relay Outputs supported by DUT.

**Test Configuration:** ONVIF Client and DUT

**Test Procedure:**

1. Start an ONVIF Client.
2. Start the DUT.
3. ONVIF Client invokes **SetRelayOutputSettings** request with RelayOutput token = "OnvifTest123".
4. The DUT returns **env:Sender/ter:InvalidArgVal/ter:RelayToken** SOAP 1.2 fault.
5. ONVIF Client verifies fault message.

**Test Result:**

**PASS –**

- DUT passes all assertions.

**FAIL –**

- The DUT did not send SOAP 1.2 fault message.
- The DUT sent incorrect SOAP 1.2 fault message (fault code, namespace, etc.).

## 5.2 Relay Output State

### 5.2.1 IO SETRELAYOUTPUTSTATE – BISTABLE MODE (OPENED IDLE STATE)

**Test Case ID:** DEVICEIO-1-2-1

**Specification Coverage:** Relay Output Trigger (ONVIF Device IO Service Specification), Set relay output settings (ONVIF Device IO Service Specification), Trigger relay output (ONVIF Device IO Service Specification)

**Feature Under Test:** GetRelayOutputs, SetRelayOutputSettings, SetRelayOutputState

**WSDL Reference:** deviceio.wsdl, event.wsdl

**Test Purpose:** To verify the behavior of SetRelayOutputState command in the case of bistable mode and opened idle state as well as appropriate event messaging.

**Pre-Requisite:** Device IO Service is received from the DUT. Relay Outputs is supported by the DUT. Bistable Mode with Open Idle State is supported by the DUT for at least one Relay Output. Profile T is supported by the DUT. Relay Output Options supported by DUT.

**Test Configuration:** ONVIF Client and DUT

**Test Procedure:**

1. Start an ONVIF Client.
2. Start the DUT.
3. ONVIF Client selects the first relay output which supports required Relay Mode and Idle State for this mode by following the procedure mentioned in [Annex A.3](#) with the following input and output parameters
  - in Bistable – required Relay Mode
  - in open – required Idle State for the Relay Mode
  - out *relayOutput* - Relay Output
  - out *relayOutputOptions* - Relay Output Options
4. Set *initialRelayOutput* := *relayOutput*.
5. ONVIF Client creates PullPoint subscription for the specified topic by following the procedure mentioned in [Annex A.4](#) with the following input and output parameters

- in **tns1:Device/Trigger/Relay** - Notification Topic
  - out *s* - Subscription Reference
  - out *currentTime* - current time for the DUT
  - out *terminationTime* - Subscription Termination time
6. ONVIF Client retrieves and checks **tns1:Device/Trigger/Relay** event for the specified Relay Output by following the procedure mentioned in [Annex A.9](#) with the following input and output parameters
- in *s* - Subscription reference
  - in *currentTime* - current time for the DUT
  - in *terminationTime* - subscription termination time
  - in *relayOutput.@token* - Relay Output token
  - in *Initialized* - Expected Property Operation
  - out *initialLogicalState* - Current Logical State
7. ONVIF Client invokes **SetRelayOutputSettings** request with parameters
- *RelayOutput.@token* := *relayOutput.@token*
  - *RelayOutput.Properties.Mode* := Bistable
  - *RelayOutput.Properties.DelayTime* := *relayOutput.Properties.DelayTime*
  - *RelayOutput.Properties.IdleState* := open
8. The DUT responds with **SetRelayOutputSettingsResponse** message.
9. Set *newLogicalState* := active if *initialLogicalState* = inactive, otherwise inactive
10. ONVIF Client invokes **SetRelayOutputState** request with parameters
- *RelayOutputToken* := *relayOutput.@token*
  - *LogicalState* := *newLogicalState*
11. The DUT responds with **SetRelayOutputStateResponse** message.

12. ONVIF Client retrieves and checks **tns1:Device/Trigger/Relay** event for the specified Relay Output by following the procedure mentioned in [Annex A.9](#) with the following input and output parameters
  - in *s* - Subscription reference
  - in *currentTime* - current time for the DUT
  - in *terminationTime* - subscription termination time
  - in *relayOutput.@token* - Relay Output token
  - in *Changed* - Expected Property Operation
  - out *updatedLogicalState1* - Current Logical State
13. If *updatedLogicalState1* != *newLogicalState*, FAIL the test, restore the DUT state, and skip other steps.
14. ONVIF Client invokes **SetRelayOutputState** request with parameters
  - RelayOutputToken := *relayOutput.@token*
  - LogicalState := *initialLogicalState*
15. The DUT responds with **SetRelayOutputStateResponse** message.
16. ONVIF Client retrieves and checks **tns1:Device/Trigger/Relay** event for the specified Relay Output by following the procedure mentioned in [Annex A.9](#) with the following input and output parameters
  - in *s* - Subscription reference
  - in *currentTime* - current time for the DUT
  - in *terminationTime* - subscription termination time
  - in *relayOutput.@token* - Relay Output token
  - in *Changed* - Expected Property Operation
  - out *updatedLogicalState2* - Current Logical State
17. If *updatedLogicalState2* != *initialLogicalState*, FAIL the test, restore the DUT state, and skip other steps.
18. ONVIF Client restores initial Relay Output settings by following the procedure mentioned in [Annex A.6](#) with the following input and output parameters

- in *initialRelayOutput* – Relay Output to restore

19. ONVIF Client deletes PullPoint subscription by following the procedure mentioned in [Annex A.5](#) with the following input and output parameters

- in *s* - Subscription reference

#### Test Result:

##### PASS –

- DUT passes all assertions.

##### FAIL –

- The DUT did not send **SetRelayOutputSettingsResponse** message.
- The DUT did not send **SetRelayOutputStateResponse** message.

## 5.2.2 IO SETRELAYOUTPUTSTATE – BISTABLE MODE (CLOSED IDLE STATE)

**Test Case ID:** DEVICEIO-1-2-2

**Specification Coverage:** Relay Output Trigger (ONVIF Device IO Service Specification), Set relay output settings (ONVIF Device IO Service Specification), Trigger relay output (ONVIF Device IO Service Specification)

**Feature Under Test:** GetRelayOutputs, SetRelayOutputSettings, SetRelayOutputState

**WSDL Reference:** deviceio.wsdl, event.wsdl

**Test Purpose:** To verify the behavior of SetRelayOutputState command in the case of bistable mode and closed idle state.

**Pre-Requisite:** Device IO Service is received from the DUT. Relay Outputs is supported by the DUT. Bistable Mode with Closed Idle State is supported by the DUT for at least one Relay Output. Profile T is supported by the DUT. Relay Output Options supported by DUT.

**Test Configuration:** ONVIF Client and DUT

#### Test Procedure:

1. Start an ONVIF Client.

2. Start the DUT.
3. ONVIF Client selects the first relay output which supports required Relay Mode and Idle State for this mode by following the procedure mentioned in [Annex A.3](#) with the following input and output parameters
  - in Bistable – required Relay Mode
  - in closed – required Idle State for the Relay Mode
  - out *relayOutput* - Relay Output
  - out *relayOutputOptions* - Relay Output Options
4. Set *initialRelayOutput* := *relayOutput*.
5. ONVIF Client creates PullPoint subscription for the specified topic by following the procedure mentioned in [Annex A.4](#) with the following input and output parameters
  - in **tns1:Device/Trigger/Relay** - Notification Topic
  - out *s* - Subscription Reference
  - out *currentTime* - current time for the DUT
  - out *terminationTime* - Subscription Termination time
6. ONVIF Client retrieves and checks **tns1:Device/Trigger/Relay** event for the specified Relay Output by following the procedure mentioned in [Annex A.9](#) with the following input and output parameters
  - in *s* - Subscription reference
  - in *currentTime* - current time for the DUT
  - in *terminationTime* - subscription termination time
  - in *relayOutput.@token* - Relay Output token
  - in Initialized - Expected Property Operation
  - out *initialLogicalState* - Current Logical State
7. ONVIF Client invokes **SetRelayOutputSettings** request with parameters
  - *RelayOutput.@token* := *relayOutput.@token*
  - *RelayOutput.Properties.Mode* := Bistable

- `RelayOutput.Properties.DelayTime := relayOutput.Properties.DelayTime`
  - `RelayOutput.Properties.IdleState := closed`
8. The DUT responds with **SetRelayOutputSettingsResponse** message.
9. Set `newLogicalState := active` if `initialLogicalState = inactive`, otherwise `inactive`
10. ONVIF Client invokes **SetRelayOutputState** request with parameters
- `RelayOutputToken := relayOutput.@token`
  - `LogicalState := newLogicalState`
11. The DUT responds with **SetRelayOutputStateResponse** message.
12. ONVIF Client retrieves and checks **tns1:Device/Trigger/Relay** event for the specified Relay Output by following the procedure mentioned in [Annex A.9](#) with the following input and output parameters
- in `s` - Subscription reference
  - in `currentTime` - current time for the DUT
  - in `terminationTime` - subscription termination time
  - in `relayOutput.@token` - Relay Output token
  - in `Changed` - Expected Property Operation
  - out `updatedLogicalState1` - Current Logical State
13. If `updatedLogicalState1 != newLogicalState`, FAIL the test, restore the DUT state, and skip other steps.
14. ONVIF Client invokes **SetRelayOutputState** request with parameters
- `RelayOutputToken := relayOutput.@token`
  - `LogicalState := initialLogicalState`
15. The DUT responds with **SetRelayOutputStateResponse** message.
16. ONVIF Client retrieves and checks **tns1:Device/Trigger/Relay** event for the specified Relay Output by following the procedure mentioned in [Annex A.9](#) with the following input and output parameters
- in `s` - Subscription reference

- in *currentTime* - current time for the DUT
- in *terminationTime* - subscription termination time
- in *relayOutput.@token* - Relay Output token
- in Changed - Expected Property Operation
- out *updatedLogicalState2* - Current Logical State

17. If *updatedLogicalState2* != *initialLogicalState*, FAIL the test, restore the DUT state, and skip other steps.

18. ONVIF Client restores initial Relay Output settings by following the procedure mentioned in [Annex A.6](#) with the following input and output parameters

- in *initialRelayOutput* – Relay Output to restore

19. ONVIF Client deletes PullPoint subscription by following the procedure mentioned in [Annex A.5](#) with the following input and output parameters

- in *s* - Subscription reference

#### Test Result:

##### PASS –

- DUT passes all assertions.

##### FAIL –

- The DUT did not send **SetRelayOutputSettingsResponse** message.
- The DUT did not send **SetRelayOutputStateResponse** message.

## 5.2.3 IO SETRELAYOUTPUTSTATE – MONOSTABLE MODE (OPENED IDLE STATE)

**Test Case ID:** DEVICEIO-1-2-3

**Specification Coverage:** Relay Output Trigger (ONVIF Device IO Service Specification), Set relay output settings (ONVIF Device IO Service Specification), Trigger relay output (ONVIF Device IO Service Specification)

**Feature Under Test:** GetRelayOutputs, SetRelayOutputSettings, SetRelayOutputState



**WSDL Reference:** deviceio.wsdl, event.wsdl

**Test Purpose:** To verify the behavior of SetRelayOutputState command in the case of Monostable mode and opened idle state as well as appropriate event messaging.

**Pre-Requisite:** Device IO Service is received from the DUT. Relay Outputs is supported by the DUT. Monostable Mode with Open Idle State is supported by the DUT for at least one Relay Output. Profile T is supported by the DUT. Relay Output Options supported by DUT.

**Test Configuration:** ONVIF Client and DUT

**Test Procedure:**

1. Start an ONVIF Client.
2. Start the DUT.
3. ONVIF Client selects the first relay output which supports required Relay Mode and Idle State for this mode by following the procedure mentioned in [Annex A.3](#) with the following input and output parameters
  - in Monostable – required Relay Mode
  - in open – required Idle State for the Relay Mode
  - out *relayOutput* - Relay Output
  - out *relayOutputOptions* - Relay Output Options of selected Relay Output
4. If *relayOutputOptions.Discrete* value is equal to true and *relayOutputOptions* does not contain *DelayTimes* element, FAIL the test, restore the DUT state, and skip other steps.
5. Set *initialRelayOutput* := *relayOutput* to save initial Relay Output settings for restore procedure.
6. Set *delayTime* := [value from *relayOutputOptions.DelayTimes* list closest to 5 seconds if *relayOutputOptions.Discrete* = true, otherwise PT5S].
7. ONVIF Client moves Relay Output to Monostable Mode with Inactive Logical State by following the procedure mentioned in [Annex A.10](#) with the following input and output parameters
  - in *relayOutput.@token* - Relay Output token
  - in open - Required Idle State
  - in *delayTime* - Required Delay Time

8. ONVIF Client creates PullPoint subscription for the specified topic by following the procedure mentioned in [Annex A.4](#) with the following input and output parameters
  - in **tns1:Device/Trigger/Relay** - Notification Topic
  - out *s* - Subscription Reference
  - out *currentTime* - current time for the DUT
  - out *terminationTime* - Subscription Termination time
9. ONVIF Client retrieves and checks **tns1:Device/Trigger/Relay** event for the specified Relay Output by following the procedure mentioned in [Annex A.9](#) with the following input and output parameters
  - in *s* - Subscription reference
  - in *currentTime* - current time for the DUT
  - in *terminationTime* - subscription termination time
  - in *relayOutput.@token* - Relay Output token
  - in *Initialized* - Expected Property Operation
  - out *initialLogicalState* - Current Logical State
10. If *initialLogicalState* != inactive, FAIL the test, restore the DUT state, and skip other steps.
11. ONVIF Client invokes **SetRelayOutputState** request with parameters
  - RelayOutputToken := *relayOutput.@token*
  - LogicalState := active
12. The DUT responds with **SetRelayOutputStateResponse** message.
13. ONVIF Client retrieves and checks **tns1:Device/Trigger/Relay** event for the specified Relay Output by following the procedure mentioned in [Annex A.9](#) with the following input and output parameters
  - in *s* - Subscription reference
  - in *currentTime* - current time for the DUT
  - in *terminationTime* - subscription termination time
  - in *relayOutput.@token* - Relay Output token

- in Changed - Expected Property Operation
  - out *updatedLogicalState1* - Current Logical State
14. If *updatedLogicalState1* != active, FAIL the test, restore the DUT state, and skip other steps.
15. ONVIF Client waits until *delayTime* timeout is expired.
16. ONVIF Client retrieves and checks **tns1:Device/Trigger/Relay** event for the specified Relay Output by following the procedure mentioned in [Annex A.9](#) with the following input and output parameters
- in *s* - Subscription reference
  - in *currentTime* - current time for the DUT
  - in *terminationTime* - subscription termination time
  - in *relayOutput.@token* - Relay Output token
  - in Changed - Expected Property Operation
  - out *updatedLogicalState2* - Current Logical State
17. If *updatedLogicalState2* != inactive, FAIL the test, restore the DUT state, and skip other steps.
18. ONVIF Client restores initial Relay Output settings by following the procedure mentioned in [Annex A.6](#) with the following input and output parameters
- in *initialRelayOutput* – Relay Output to restore
19. ONVIF Client deletes PullPoint subscription by following the procedure mentioned in [Annex A.5](#) with the following input and output parameters
- in *s* - Subscription reference

**Test Result:****PASS –**

- DUT passes all assertions.

**FAIL –**

- The DUT did not send **SetRelayOutputSettingsResponse** message.

- The DUT did not send **SetRelayOutputStateResponse** message.

## 5.2.4 IO SETRELAYOUTPUTSTATE – MONOSTABLE MODE (CLOSED IDLE STATE)

**Test Case ID:** DEVICEIO-1-2-4

**Specification Coverage:** Relay Output Trigger (ONVIF Device IO Service Specification), Set relay output settings (ONVIF Device IO Service Specification), Trigger relay output (ONVIF Device IO Service Specification)

**Feature Under Test:** GetRelayOutputs, SetRelayOutputSettings, SetRelayOutputState

**WSDL Reference:** deviceio.wsdl, event.wsdl

**Test Purpose:** To verify the behavior of SetRelayOutputState command in the case of monostable mode and closed idle state.

**Pre-Requisite:** Device IO Service is received from the DUT. Relay Outputs is supported by the DUT. Monostable Mode with Closed Idle State is supported by the DUT for at least one Relay Output. Profile T is supported by the DUT. Relay Output Options supported by DUT.

**Test Configuration:** ONVIF Client and DUT

**Test Procedure:**

1. Start an ONVIF Client.
2. Start the DUT.
3. ONVIF Client selects the first relay output which supports required Relay Mode and Idle State for this mode by following the procedure mentioned in [Annex A.3](#) with the following input and output parameters
  - in Monostable – required Relay Mode
  - in closed – required Idle State for the Relay Mode
  - out *relayOutput* - Relay Output
  - out *relayOutputOptions* - Relay Output Options of selected Relay Output
4. If *relayOutputOptions.Discrete* value is equal to true and *relayOutputOptions* does not contain *DelayTimes* element, FAIL the test, restore the DUT state, and skip other steps.

5. Set *initialRelayOutput* := *relayOutput* to save initial Relay Output settings for restore procedure.
6. Set *delayTime* := [value from *relayOutputOptions.DelayTimes* list closest to 5 seconds if *relayOutputOptions.Discrete* = true, otherwise PT5S].
7. ONVIF Client moves Relay Output to Monostable Mode with Inactive Logical State by following the procedure mentioned in [Annex A.10](#) with the following input and output parameters
  - in *relayOutput.@token* - Relay Output token
  - in *closed* - Required Idle State
  - in *delayTime* - Required Delay Time
8. ONVIF Client creates PullPoint subscription for the specified topic by following the procedure mentioned in [Annex A.4](#) with the following input and output parameters
  - in **tns1:Device/Trigger/Relay** - Notification Topic
  - out *s* - Subscription Reference
  - out *currentTime* - current time for the DUT
  - out *terminationTime* - Subscription Termination time
9. ONVIF Client retrieves and checks **tns1:Device/Trigger/Relay** event for the specified Relay Output by following the procedure mentioned in [Annex A.9](#) with the following input and output parameters
  - in *s* - Subscription reference
  - in *currentTime* - current time for the DUT
  - in *terminationTime* - subscription termination time
  - in *relayOutput.@token* - Relay Output token
  - in *Initialized* - Expected Property Operation
  - out *initialLogicalState* - Current Logical State
10. If *initialLogicalState* != inactive, FAIL the test, restore the DUT state, and skip other steps.
11. ONVIF Client invokes **SetRelayOutputState** request with parameters
  - *RelayOutputToken* := *relayOutput.@token*

- LogicalState := active
12. The DUT responds with **SetRelayOutputStateResponse** message.
  13. ONVIF Client retrieves and checks **tns1:Device/Trigger/Relay** event for the specified Relay Output by following the procedure mentioned in [Annex A.9](#) with the following input and output parameters
    - in *s* - Subscription reference
    - in *currentTime* - current time for the DUT
    - in *terminationTime* - subscription termination time
    - in *relayOutput.@token* - Relay Output token
    - in Changed - Expected Property Operation
    - out *updatedLogicalState1* - Current Logical State
  14. If *updatedLogicalState1* != active, FAIL the test, restore the DUT state, and skip other steps.
  15. ONVIF Client waits until *delayTime* timeout is expired.
  16. ONVIF Client retrieves and checks **tns1:Device/Trigger/Relay** event for the specified Relay Output by following the procedure mentioned in [Annex A.9](#) with the following input and output parameters
    - in *s* - Subscription reference
    - in *currentTime* - current time for the DUT
    - in *terminationTime* - subscription termination time
    - in *relayOutput.@token* - Relay Output token
    - in Changed - Expected Property Operation
    - out *updatedLogicalState2* - Current Logical State
  17. If *updatedLogicalState2* != inactive, FAIL the test, restore the DUT state, and skip other steps.
  18. ONVIF Client restores initial Relay Output settings by following the procedure mentioned in [Annex A.6](#) with the following input and output parameters
    - in *initialRelayOutput* – Relay Output to restore

19. ONVIF Client deletes PullPoint subscription by following the procedure mentioned in [Annex A.5](#) with the following input and output parameters

- in s - Subscription reference

**Test Result:**

**PASS –**

- DUT passes all assertions.

**FAIL –**

- The DUT did not send **SetRelayOutputSettingsResponse** message.
- The DUT did not send **SetRelayOutputStateResponse** message.

## 5.3 Events

### 5.3.1 REALTIME PULLPOINT SUBSCRIPTION – DIGITAL INPUT EVENT

**Test Case ID:** DEVICEIO-2-1-1

**Specification Coverage:** DigitalInput State Change (Device IO)

**Feature Under Test:** tns1:Device/Trigger/DigitalInput

**WSDL Reference:** event.wsdl

**Test Purpose:** To verify tns1:Device/Trigger/DigitalInput event generation after subscription and to verify tns1:Device/Trigger/DigitalInput event format.

**Pre-Requisite:** Device supports Digital Inputs feature. Device supports Pull-Point Notification feature.

**Test Configuration:** ONVIF Client and DUT

**Test Procedure:**

1. Start an ONVIF Client.
2. Start the DUT.
3. ONVIF Client invokes **GetEventProperties**.
4. The DUT responds with a **GetEventPropertiesResponse** message with parameters

- TopicNamespaceLocation list
  - FixedTopicSet
  - TopicSet =: *topicSet*
  - TopicExpressionDialect list
  - MessageContentFilterDialect list
  - MessageContentSchemaLocation list
5. If *topicSet* does not contain **tns1:Device/Trigger/DigitalInput** topic, FAIL the test and skip other steps.
  6. ONVIF Client verifies **tns1:Device/Trigger/DigitalInput** topic (*triggerDigitalInput*) from *topicSet*:
    - 6.1. If *triggerDigitalInput*.MessageDescription.IsProperty is skipped or equals false, FAIL the test and skip other steps.
    - 6.2. If *triggerDigitalInput* does not contain MessageDescription.Source.SimpleItemDescription item with Name = "InputToken", FAIL the test and skip other steps.
    - 6.3. If *triggerDigitalInput*.MessageDescription.Source.SimpleItemDescription with Name = "InputToken" does not have Type = "tt:ReferenceToken", FAIL the test and skip other steps.
    - 6.4. If *triggerDigitalInput* does not contain MessageDescription.Data.SimpleItemDescription item with Name = "LogicalState", FAIL the test and skip other steps.
    - 6.5. If *triggerDigitalInput*.MessageDescription.Data.SimpleItemDescription item with Name = "LogicalState" does not have Type = "xs:boolean", FAIL the test and skip other steps.
  7. ONVIF Client invokes **CreatePullPointSubscription** with parameters
    - Filter.TopicExpression := "tns1:Device/Trigger/DigitalInput"
    - Filter.TopicExpression.@Dialect := "http://www.onvif.org/ver10/tev/topicExpression/ConcreteSet"
  8. The DUT responds with a **CreatePullPointSubscriptionResponse** message with parameters



- SubscriptionReference =: *s*
  - CurrentTime
  - TerminationTime
9. Until *timeout1* timeout expires, repeat the following steps:
- 9.1. ONVIF Client invokes **PullMessages** to the subscription endpoint *s* with parameters
- Timeout := PT60S
  - MessageLimit := 1
- 9.2. The DUT responds with **PullMessagesResponse** message with parameters
- CurrentTime
  - TerminationTime
  - NotificationMessage =: *m*
- 9.3. If *m* is not null and *m* Message.Message.PropertyOperation = Initialized ONVIF Client verifies *m*:
- 9.3.1. If *m*.Topic does not equal to **tns1:Device/Trigger/DigitalInput**, FAIL the test and go to the step 10.
- 9.3.2. If *m* does not contain Message.Message.Source.SimpleItem.InputToken, FAIL the test and go to the step 10.
- 9.3.3. If *m*.Message.Message.Source.SimpleItem.InputToken has value type different from tt:ReferenceToken type, FAIL the test and go to the step 10.
- 9.3.4. If *m* does not contain Message.Message.Data.SimpleItem.LogicalState, FAIL the test and go to the step 10.
- 9.3.5. If *m*.Message.Message.Data.SimpleItem.LogicalState has value type different from xs:boolean type, FAIL the test and go to the step 10.
- 9.3.6. Go to the step 10.
- 9.4. If *timeout1* timeout expires for step 9 without Notification with PropertyOperation = Initialized, FAIL the test and go to the step 10.
10. ONVIF Client invokes **Unsubscribe** to the subscription endpoint *s*.

11. The DUT responds with **UnsubscribeResponse** message.

**Test Result:**

**PASS –**

- DUT passes all assertions.

**FAIL –**

- The DUT did not send **GetEventPropertiesResponse** message.
- The DUT did not send **CreatePullPointSubscriptionResponse** message.
- The DUT did not send **PullMessagesResponse** message(s).
- The DUT did not send **UnsubscribeResponse** message.

**Note:** *timeout1* will be taken from Operation Delay field of ONVIF Device Test Tool.

## 5.3.2 DEVICE IO TRIGGER EVENT

**Test Case ID:** DEVICEIO-2-1-2

**Specification Coverage:** Relay Output Trigger (Device IO Service)

**Feature Under Test:** GetEventProperties

**WSDL Reference:** event.wsdl

**Test Purpose:** To verify tns1:Device/Trigger/Relay event format in TopicSet.

**Pre-Requirement:** Device IO service is supported by DUT. Event service is supported by DUT. Relay Outputs supported by DUT. Profile T is supported by the DUT.

**Test Configuration:** ONVIF Client and DUT

**Test Procedure:**

1. Start an ONVIF Client.
2. Start the DUT.
3. ONVIF Client invokes **GetEventProperties** request.
4. The DUT responds with a **GetEventPropertiesResponse** message with parameters
  - TopicNamespaceLocation list
  - FixedTopicSet

- TopicSet =: *topicSet*
  - TopicExpressionDialect list
  - MessageContentFilterDialect list
  - MessageContentSchemaLocation list
5. If *topicSet* does not contain tns1:Device/Trigger/Relay topic, FAIL the test and skip other steps.
6. ONVIF Client verifies tns1:Device/Trigger/Relay topic (*triggerTopic*) from *topicSet*:
- If *triggerTopic*.MessageDescription.IsProperty does not equal to true, FAIL the test and skip other steps.
  - If *triggerTopic* does not contain MessageDescription.Source.SimpleItemDescription item with Name = "RelayToken", FAIL the test and skip other steps.
  - If *triggerTopic*.MessageDescription.Source.SimpleItemDescription with Name = "RelayToken" does not have Type = "tt:ReferenceToken", FAIL the test and skip other steps.
  - If *triggerTopic* does not contain MessageDescription.Data.SimpleItemDescription item with Name = "LogicalState", FAIL the test and skip other steps.
  - If *triggerTopic*.MessageDescription.Data.SimpleItemDescription with Name = "LogicalState" does not have Type = "tt:RelayLogicalState", FAIL the test and skip other steps.

**Test Result:****PASS –**

- DUT passes all assertions.

**FAIL –**

- The DUT did not send **GetEventPropertiesResponse** message.

## 5.4 Digital Input

### 5.4.1 IO GETDIGITALINPUTS

**Test Case ID:** DEVICEIO-3-1-1

**Specification Coverage:** None

**Feature Under Test:** GetDigitalInputs

**WSDL Reference:** deviceio.wsdl

**Test Purpose:** To verify the DUT returns proper message for GetDigitalInputs request.

**Pre-Requisite:** Device IO service is supported by DUT. Digital Inputs is supported by DUT.

**Test Configuration:** ONVIF Client and DUT

**Test Procedure:**

1. Start an ONVIF Client.
2. Start the DUT.
3. ONVIF Client sends **GetDigitalInputs** request to DUT to retrieve the list of supported digital input configurations.
4. The DUT sends **GetDigitalInputsResponse** message with the list of supported DigitalInputs.

**Test Result:**

**PASS –**

- DUT passes all assertions.

**FAIL –**

- The DUT did not send **GetDigitalInputsResponse** message.
- The **GetDigitalInputsResponse** message did not contain Digital Inputs.

## 5.4.2 IO GETDIGITALINPUTS – VERIFY QUANTITY

**Test Case ID:** DEVICEIO-3-1-2

**Specification Coverage:** None

**Feature Under Test:** GetDigitalInputs, GetServiceCapabilities

**WSDL Reference:** deviceio.wsdl

**Test Purpose:** To verify the DUT returns proper message for GetDigitalInputs request.

**Pre-Requisite:** Device IO service is supported by DUT. Digital Inputs is supported by DUT.

**Test Configuration:** ONVIF Client and DUT

**Test Procedure:**

1. Start an ONVIF Client.
2. Start the DUT.
3. ONVIF Client invokes **GetServiceCapabilities** request.
4. The DUT sends **GetServiceCapabilitiesResponse** with the capabilities of the device IO service.
5. ONVIF Client sends **GetDigitalInputs** request to DUT to retrieve the list of supported digital input configurations.
6. The DUT sends **GetDigitalInputsResponse** message with the list of supported DigitalInputs.
7. ONVIF Client verifies the number of digital inputs in **GetDigitalInputsResponse** message. This number should be equal to the Capabilities.DigitalInputsnumber in **GetServiceCapabilitiesResponse** message.

**Test Result:**

**PASS –**

- DUT passes all assertions.

**FAIL –**

- The DUT did not send **GetDigitalInputsResponse** message.
- The DUT sent incorrect **GetDigitalInputsResponse** message.
- The DUT did not send **GetServiceCapabilitiesResponse** message.
- The DUT sent empty list of DigitalInputs in **GetDigitalInputsResponse** message.
- The number of Digital Inputs in **GetDigitalInputsResponse** message is not equal to Capabilities.DigitalInputs number from **GetServiceCapabilitiesResponse** message.

## 5.4.3 IOGET DIGITAL INPUT CONFIGURATION OPTIONS

**Test Case ID:** DEVICEIO-3-1-3

**Specification Coverage:** None

**Feature Under Test:** GetDigitalInputs, GetDigitalInputConfigurationOptions

**WSDL Reference:** deviceio.wsdl

**Test Purpose:** To verify the behavior of GetDigitalInputConfigurationOptions command.

**Pre-Requisite:** Device IO service is supported by DUT. Digital Inputs is supported by DUT. Digital Input Options is supported by DUT.

**Test Configuration:** ONVIF Client and DUT

**Test Procedure:**

1. Start an ONVIF Client.
2. Start the DUT.
3. ONVIF Client invokes **GetDigitalInputs** request to DUT to retrieve the list of supported digital input configurations.
4. The DUT sends **GetDigitalInputsResponse** message with the list of supported digital inputs.
5. ONVIF Client invokes **GetDigitalInputConfigurationOptions** message to DUT to retrieve the generic input configuration options.
6. The DUT sends **GetDigitalInputConfigurationOptionsResponse** message with generic digital input configuration options.
7. For each digital input in **GetDigitalInputsResponse** message, ONVIF Client saves this digital input in *DigitalInput1* variable and runs the following steps:
  - 7.1. ONVIF Client invokes **GetDigitalInputConfigurationOptions** request with Token = *DigitalInput1* token as input argument.
  - 7.2. The DUT sends **GetDigitalInputConfigurationOptionsResponse** message with configuration options for the given token.

**Test Result:**

**PASS –**

- DUT passes all assertions.

**FAIL –**

- The DUT did not send **GetDigitalInputsResponse** message.
- The **GetDigitalInputsResponse** message did not contain Digital Inputs.
- The DUT Did not send **GetDigitalInputConfigurationOptionsResponse** message.
- The **GetDigitalInputConfigurationOptionsResponse** message did not contain Digital Input Options.

## 5.4.4 IO DIGITAL INPUT CONFIGURATION

**Test Case ID:** DEVICEIO-3-1-4

**Specification Coverage:** None

**Feature Under Test:** GetDigitalInputs, GetDigitalInputConfigurationOptions, SetDigitalInputConfigurations

**WSDL Reference:** deviceio.wsdl

**Test Purpose:** To verify the behavior of GetDigitalInputs, GetDigitalInputConfigurationOptions, SetDigitalInputConfigurations commands.

**Pre-Requisite:** Device IO service is supported by DUT. Digital Inputs is supported by DUT. Digital Input Options is supported by DUT.

**Test Configuration:** ONVIF Client and DUT

**Test Procedure:**

1. Start an ONVIF Client.
2. Start the DUT.
3. ONVIF Client invokes **GetDigitalInputs** request to DUT to retrieve the list of supported digital input configurations.
4. The DUT sends **GetDigitalInputsResponse** message with the list of supported DigitalInputs.
5. For each digital input in **GetDigitalInputsResponse** message, ONVIF Client saves this digital input in *DigitalInput1* variable and runs the following steps:
  - 5.1. ONVIF Client invokes **GetDigitalInputConfigurationOptions** request with Token = *DigitalInput1* token as input argument.

- 5.2. The DUT sends **GetDigitalInputConfigurationOptionsResponse** message with configuration options for the given token.
- 5.3. If **GetDigitalInputConfigurationOptionsResponse** message contains `DigitalInputOptionsIdleState = closed` then run the following steps:
  - 5.3.1. ONVIF Client changes *DigitalInput1* IdleState property to closed.
  - 5.3.2. ONVIF Client invokes **SetDigitalInputConfigurations** request with *DigitalInput1* as input argument.
  - 5.3.3. The DUT sends **SetDigitalInputConfigurationsResponse** message. ONVIF Client verifies the response.
  - 5.3.4. ONVIF Client invokes **GetDigitalInputs** request.
  - 5.3.5. The DUT sends **GetDigitalInputsResponse** message with the list of Digital Inputs.
  - 5.3.6. ONVIF Client verifies that the **GetDigitalInputsResponse** message contains digital input with token = *DigitalInput1* token, also it verifies that IdleState value equals to the value set up in the step 5.3.1.
- 5.4. If **GetDigitalInputConfigurationOptionsResponse** message contains `DigitalInputOptions.IdleState = open` then run the following steps:
  - 5.4.1. ONVIF Client changes *DigitalInput1.IdleState* property to open.
  - 5.4.2. ONVIF Client invokes **SetDigitalInputConfigurations** request with *DigitalInput1* as input argument.
  - 5.4.3. The DUT sends **SetDigitalInputConfigurationsResponse** message. ONVIF Client verifies the response.
  - 5.4.4. ONVIF Client invokes **GetDigitalInputs** request.
  - 5.4.5. The DUT sends **GetDigitalInputsResponse** message with the list of Digital Inputs.
  - 5.4.6. ONVIF Client verifies that the **GetDigitalInputsResponse** message contains digital input with token = *DigitalInput1* token, also it verifies that IdleState value equals to the value set up in the step 5.4.1.

**Test Result:**

**PASS –**



- DUT passes all assertions.

#### FAIL –

- The DUT did not send **GetDigitalInputsResponse** message.
- The **GetDigitalInputsResponse** message did not contain Digital Inputs.
- The DUT Did not send **GetDigitalInputConfigurationOptionsResponse** message.
- The **GetDigitalInputConfigurationOptionsResponse** message did not contain Digital Input Options.
- The DUT did not send **SetDigitalInputConfigurationsResponse** message.
- The DUT did not change IdleState.

## 5.5 Audio Source

### 5.5.1 IO GET AUDIO SOURCES

**Test Case ID:** DEVICEIO-4-1-1

**Specification Coverage:** GetAudioSources (ONVIF Device IO Service Specification).

**Feature Under Test:** GetAudioSources

**WSDL Reference:** deviceio.wsdl

**Test Purpose:** To verify retrieving supported Audio Sources.

**Pre-Requisite:** Device IO Service is received from the DUT. Media2 Service is supported by Device. Media2 Audio is supported by Device as indicated by the ProfileCapabilities.ConfigurationsSupported = AudioSource capability.

**Test Configuration:** ONVIF Client and DUT

#### Test Procedure:

1. Start an ONVIF Client.
2. Start the DUT.
3. ONVIF Client invokes **GetAudioSources** request.

4. The DUT responds with **GetAudioSourcesResponse** with parameters
  - Token list =: *audioSourcesList*
5. If *audioSourcesList* is empty, FAIL the test.

**Test Result:****PASS –**

- DUT passes all assertions.

**FAIL –**

- DUT did not send **GetAudioSourcesResponse** message.

## 5.6 Consistency

### 5.6.1 GET VIDEOSOURCES (DeviceIO) AND GET VIDEOSOURCES (Media) CONSISTENCY

**Test Case ID:** DEVICEIO-5-1-1

**Specification coverage:** GetVideoSources (Media Service Specification), GetVideoSources (Device IO Service Specification)

**Feature under test:** GetVideoSources (DeviceIO), GetVideoSources (Media)

**WSDL Reference:** media.wsdl, deviceio.wsdl

**Test Purpose:** To verify GetVideoSources (DeviceIO) and GetVideoSources (Media) consistency.

**Pre-Requisite:** Media Service is received from the DUT. DeviceIO Service is received from the DUT.

**Test Configuration:** ONVIF Client and DUT

**Test Procedure:**

1. Start an ONVIF Client.
2. Start the DUT.
3. ONVIF Client invokes **GetVideoSources** (DeviceIO) request.

4. The DUT responds with **GetVideoSourcesResponse** message with parameters
  - Token list =: *tokenList*
5. ONVIF Client invokes **GetVideoSources** (Media) request.
6. The DUT responds with **GetVideoSourcesResponse** message with parameters
  - VideoSources list =: *videoSourcesList*
7. If *tokenList* is not equal to list of @token items from *videoSourcesList* list, FAIL the test.

**Test Result:****PASS –**

- DUT passes all assertions.

**FAIL –**

- DUT did not send **GetVideoSources** (DeviceIO) message.  
DUT did not send **GetVideoSources** (Media) message.

## 5.7 Serial Port

### 5.7.1 IO GET SERIAL PORTS

**Test Case ID:** DEVICEIO-6-1-1

**Specification Coverage:** GetSerialPorts (Device IO Service Specification)

**Feature Under Test:** GetSerialPorts

**WSDL Reference:** deviceio.wsdl

**Test Purpose:** To verify retrieving of DUT Serial Ports using GetSerialPorts command.

**Pre-Requisite:** Device IO Service is received from the DUT. Serial Port is supported by DUT.

**Test Configuration:** ONVIF Client and DUT

**Test Procedure:**

1. Start an ONVIF Client.

2. Start the DUT.
3. ONVIF Client retrieves Device IO Service capabilities by following the procedure mentioned in [Annex A.7](#) with the following input and output parameters
  - out *cap* - Device IO Service capabilities
4. ONVIF Client invokes **GetSerialPorts** request.
5. The DUT responds with **GetSerialPortsResponse** message with parameters:
  - SerialPort list =: *serialPortList*
6. If number of items in *serialPortList* is not equal to *cap.SerialPorts*, FAIL the test and skip other steps.
7. If *serialPortList* contains at least two items with the same @token, FAIL the test and skip other steps.

**Test Result:****PASS –**

- DUT passes all assertions.

**FAIL –**

- The DUT did not send **GetSerialPortsResponse** message.

## 5.7.2 IO GET SERIAL PORT CONFIGURATION AND GET SERIAL PORT OPTIONS

**Test Case ID:** DEVICEIO-6-1-2

**Specification Coverage:** GetSerialPortConfiguration (Device IO Service Specification), GetSerialPortConfigurationOptions (Device IO Service Specification)

**Feature Under Test:** GetSerialPortConfiguration, GetSerialPortConfigurationOptions

**WSDL Reference:** deviceio.wsdl

**Test Purpose:** To verify retrieving of DUT Serial Port Configuration using GetSerialPortConfiguration command. To verify retrieving of DUT Serial Port Configuration Options using GetSerialPortConfigurationOptions command. To verify that all Serial Port Configurations are consistent with Serial Port Configuration Options.

**Pre-Requirement:** Device IO Service is received from the DUT. Serial Port is supported by DUT.

**Test Configuration:** ONVIF Client and DUT

**Test Procedure:**

1. Start an ONVIF Client.
2. Start the DUT.
3. ONVIF Client retrieves Serial Ports list by following the procedure mentioned in [Annex A.8](#) with the following input and output parameters
  - out *serialPortList* - Serial Ports list
4. For each SerialPort *serialPort* in *serialPortList* list repeat the following steps:
  - 4.1. ONVIF Client invokes **GetSerialPortConfiguration** request with parameters
    - SerialPortToken := *serialPort.@token*
  - 4.2. The DUT responds with **GetSerialPortConfigurationResponse** message with parameters:
    - SerialPortConfiguration =: *serialPortConfiguration*
  - 4.3. If *serialPortConfiguration.@token* not equal to *serialPort.@token*, FAIL the test and skip other steps.
  - 4.4. ONVIF Client invokes **GetSerialPortConfigurationOptions** request with parameters
    - SerialPortToken := *serialPortConfiguration.@token*
  - 4.5. The DUT responds with **GetSerialPortConfigurationOptionsResponse** message with parameters:
    - SerialPortOptions =: *serialPortOptions*
  - 4.6. If *serialPortConfiguration.@token* is not equal to *serialPortOptions.@token*, FAIL the test and skip other steps.
  - 4.7. If *serialPortOptions.BaudRateList.Items* list is empty, FAIL the test and skip other steps.
  - 4.8. If *serialPortOptions.ParityBitList.Items* list is empty, FAIL the test and skip other steps.
  - 4.9. If *serialPortOptions.CharacterLengthList.Items* list is empty, FAIL the test and skip other steps.

- 4.10. If *serialPortOptions.StopBitList.Items* list is empty, FAIL the test and skip other steps.
- 4.11. If *serialPortConfiguration.BaudRate* is not in *serialPortOptions.BaudRateList.Items* list, FAIL the test and skip other steps.
- 4.12. If *serialPortConfiguration.ParityBit* is not in *serialPortOptions.ParityBitList.Items* list, FAIL the test and skip other steps.
- 4.13. If *serialPortConfiguration.CharacterLength* is not in *serialPortOptions.CharacterLengthList.Items* list, FAIL the test and skip other steps.
- 4.14. If *serialPortConfiguration.StopBit* is not in *serialPortOptions.StopBitList.Items* list, FAIL the test and skip other steps.

**Test Result:****PASS –**

- DUT passes all assertions.

**FAIL –**

- The DUT did not send **GetSerialPortConfigurationResponse** message.
- The DUT did not send **GetSerialPortConfigurationOptionsResponse** message.

## 5.7.3 IO MODIFY SERIAL PORT CONFIGURATION

**Test Case ID:** DEVICEIO-6-1-3

**Specification Coverage:** SetSerialPortConfiguration (Device IO Service Specification)

**Feature Under Test:** SetSerialPortConfiguration

**WSDL Reference:** deviceio.wsdl

**Test Purpose:** To verify modification of Serial Port Configuration using SetSerialPortConfiguration command.

**Pre-Requisite:** Device IO Service is received from the DUT. Serial Port is supported by DUT.

**Test Configuration:** ONVIF Client and DUT

**Test Procedure:**

1. Start an ONVIF Client.
2. Start the DUT.
3. ONVIF Client retrieves Serial Ports list by following the procedure mentioned in [Annex A.8](#) with the following input and output parameters
  - out *serialPortList* - Serial Ports list
4. For each SerialPort *serialPort* in *serialPortList* repeat the following steps:
  - 4.1. ONVIF Client invokes **GetSerialPortConfiguration** request with parameters
    - SerialPortToken := *serialPort.@token*
  - 4.2. The DUT responds with **GetSerialPortConfigurationResponse** message with parameters:
    - SerialPortConfiguration =: *initialSerialPortConfig*
  - 4.3. ONVIF Client invokes **GetSerialPortConfigurationOptions** request with parameters
    - SerialPortToken := *serialPort.@token*
  - 4.4. The DUT responds with **GetSerialPortConfigurationOptionsResponse** message with parameters:
    - SerialPortOptions =: *serialPortOptions*
  - 4.5. ONVIF Client invokes **SetSerialPortConfiguration** request with parameters
    - SerialPortConfiguration.token := *serialPort.@token*
    - SerialPortConfiguration.type := *initialSerialPortConfig.@type*
    - SerialPortConfiguration.BaudRate := *serialPortOptions.BaudRateList.Items[0]* (if this value is equal to current, the next item in the list should be used)
    - SerialPortConfiguration.ParityBit := *serialPortOptions.ParityBitList.Items[0]* (if this value is equal to current, the next item in the list should be used)
    - SerialPortConfiguration.CharacterLength := *serialPortOptions.CharacterLengthList.Items[0]* (if this value is equal to current, the next item in the list should be used)
    - SerialPortConfiguration.StopBit := *serialPortOptions.StopBitList.Items[0]* (if this value is equal to current, the next item in the list should be used)

- ForcePersistence := false
- 4.6. The DUT responds with **SetSerialPortConfigurationResponse** message.
- 4.7. ONVIF Client invokes **GetSerialPortConfiguration** request with parameters
- SerialPortToken := *serialPort.@token*
- 4.8. The DUT responds with **GetSerialPortConfigurationResponse** message with parameters:
- SerialPortConfiguration =: *serialPortConfiguration*
- 4.9. If *serialPortConfiguration* is not equal to Serial Port Configuration from step 4.5, FAIL the test and skip other steps.
- 4.10. ONVIF Client invokes **SetSerialPortConfiguration** request with parameters
- SerialPortConfiguration.token := *serialPort.@token*
  - SerialPortConfiguration.type := *serialPortConfiguration.type*
  - SerialPortConfiguration.BaudRate := *serialPortOptions.BaudRateList.Items[last]*
  - SerialPortConfiguration.ParityBit := *serialPortOptions.ParityBitList.Items[last]*
  - SerialPortConfiguration.CharacterLength := *serialPortOptions.CharacterLengthList.Items[last]*
  - SerialPortConfiguration.StopBit := *serialPortOptions.StopBitList.Items[last]*
  - ForcePersistence := true
- 4.11. The DUT responds with **SetSerialPortConfigurationResponse** message.
- 4.12. ONVIF Client invokes **GetSerialPortConfiguration** request with parameters
- SerialPortToken := *serialPort.@token*
- 4.13. The DUT responds with **GetSerialPortConfigurationResponse** message with parameters:
- SerialPortConfiguration =: *serialPortConfiguration*
- 4.14. If *serialPortConfiguration* is not equal to SerialPortConfiguration from step 4.10, FAIL the test and skip other steps.



4.15. ONVIF Client restores settings of Serial Port Configuration with @token = *serialPort.@token*.

**Test Result:**

**PASS –**

- DUT passes all assertions.

**FAIL –**

- The DUT did not send **GetSerialPortConfigurationResponse** message(s).
- The DUT did not send **GetSerialPortConfigurationOptionsResponse** message(s).
- The DUT did not send **SetSerialPortConfigurationResponse** message(s).

**Note:** The following fields are compared at step 4.5 and 4.10:

- token
- type
- BaudRate
- ParityBit
- CharacterLength
- StopBit

## 5.7.4 IO RECEIVE SERIAL COMMAND

**Test Case ID:** DEVICEIO-6-1-4

**Specification Coverage:** Send ReceiveSerialCommand (Device IO Service Specification)

**Feature Under Test:** SendReceiveSerialCommand

**WSDL Reference:** deviceio.wsdl

**Test Purpose:** To verify receiving of generic controlling data from Serial Port using SendReceiveSerialCommand command.

**Pre-Requisite:** Device IO Service is received from the DUT. Serial Port is supported by DUT.

## Test Configuration: ONVIF Client and DUT

### Test Procedure:

1. Start an ONVIF Client.
2. Start the DUT.
3. ONVIF Client retrieves Serial Ports list by following the procedure mentioned in [Annex A.8](#) with the following input and output parameters
  - out *serialPortList* - Serial Ports list
4. For each SerialPort *serialPort* in *serialPortList* repeat the following steps:
  - 4.1. ONVIF Client invokes **SendReceiveSerialCommand** request with parameters
    - Token := *serialPort.@token*
    - SerialData - skipped
    - TimeOut - skipped
    - DataLength - skipped
    - Delimiter - skipped
  - 4.2. The DUT responds with **SendReceiveSerialCommandResponse** message with parameters:
    - SerialData
  - 4.3. ONVIF Client invokes **SendReceiveSerialCommand** request with parameters
    - Token := *serialPort.@token*
    - SerialData - skipped
    - TimeOut := PT1M1S
    - DataLength - skipped
    - Delimiter - skipped
  - 4.4. The DUT responds with **SendReceiveSerialCommandResponse** message with parameters:
    - SerialData

- 4.5. ONVIF Client invokes **SendReceiveSerialCommand** request with parameters
- Token := *serialPort.@token*
  - SerialData - skipped
  - TimeOut := PT0S
  - DataLength - skipped
  - Delimiter - skipped
- 4.6. The DUT responds with **SendReceiveSerialCommandResponse** message with parameters:
- SerialData
- 4.7. ONVIF Client invokes **SendReceiveSerialCommand** request with parameters
- Token := *serialPort.@token*
  - SerialData - skipped
  - TimeOut := -PT1S
  - DataLength - skipped
  - Delimiter - skipped
- 4.8. The DUT responds with **SendReceiveSerialCommandResponse** message with parameters:
- SerialData

**Test Result:****PASS –**

- DUT passes all assertions.

**FAIL –**

- The DUT did not send **SendReceiveSerialCommandResponse** message(s).

**Note:** The following message timeouts should be used:

- for step 4.4: 61s + Message Timeout field of ONVIF Device Test Tool

- for steps 4.2 and 4.8: Operation Delay field of ONVIF Device Test Tool

## 5.7.5 IO SEND SERIAL COMMAND

**Test Case ID:** DEVICEIO-6-1-5

**Specification Coverage:** SendReceiveSerialCommand (Device IO Service Specification)

**Feature Under Test:** SendReceiveSerialCommand

**WSDL Reference:** deviceio.wsdl

**Test Purpose:** To verify sending of generic controlling data from Serial Port using SendReceiveSerialCommand command.

**Pre-Requisite:** Device IO Service is received from the DUT. Serial Port is supported by DUT.

**Test Configuration:** ONVIF Client and DUT

### Test Procedure:

1. Start an ONVIF Client.
2. Start the DUT.
3. ONVIF Client retrieves Serial Ports list by following the procedure mentioned in [Annex A.8](#) with the following input and output parameters
  - out *serialPortList* - Serial Ports list
4. For each SerialPort *serialPort* in *serialPortList* repeat the following steps:
  - 4.1. ONVIF Client invokes **SendReceiveSerialCommand** request with parameters
    - Token := *serialPort.@token*
    - SerialData.Binary := <binaryData>
    - TimeOut := PT0S
    - DataLength - skipped
    - Delimiter - skipped
  - 4.2. The DUT responds with **SendReceiveSerialCommandResponse** message with parameters:

- SerialData
- 4.3. ONVIF Client invokes **SendReceiveSerialCommand** request with parameters
- Token := *serialPort.@token*
  - SerialData.String := <stringData>
  - TimeOut := PT0S
  - DataLength - skipped
  - Delimiter - skipped
- 4.4. The DUT responds with **SendReceiveSerialCommandResponse** message with parameters:
- SerialData

**Test Result:****PASS –**

- DUT passes all assertions.

**FAIL –**

- The DUT did not send **SendReceiveSerialCommandResponse** message(s).

## 5.7.6 IO GETSERIALPORTCONFIGURATION COMMAND - INVALID TOKEN

**Test Case ID:** DEVICEIO-6-1-6

**Specification Coverage:** GetSerialPortConfiguration (Device IO Service Specification)

**Feature Under Test:** GetSerialPortConfiguration

**WSDL Reference:** deviceio.wsdl

**Test Purpose:** To verify the behavior of GetSerialPortConfiguration command in case of invalid token.

**Pre-Requisite:** Device IO Service is received from the DUT. Serial Port is supported by DUT.

**Test Configuration:** ONVIF Client and DUT

**Test Procedure:**

1. Start an ONVIF Client.
2. Start the DUT.
3. ONVIF Client invokes **GetSerialPortConfiguration** request with parameters
  - SerialPortToken := "OnvifTest123"
4. The DUT returns **env:Sender/ter:InvalidArgVal/ter:InvalidSerialPort** SOAP 1.2 fault.

**Test Result:****PASS –**

- DUT passes all assertions.

**FAIL –**

- The DUT did not send the **env:Sender/ter:InvalidArgVal/ter:InvalidSerialPort** SOAP 1.2 fault message.

## 5.7.7 IO GETSERIALPORTCONFIGURATIONOPTIONS COMMAND - INVALID TOKEN

**Test Case ID:** DEVICEIO-6-1-7

**Specification Coverage:** GetSerialPortConfigurationOptions (Device IO Service Specification)

**Feature Under Test:** GetSerialPortConfigurationOptions

**WSDL Reference:** deviceio.wsdl

**Test Purpose:** To verify the behavior of GetSerialPortConfigurationOptions command in case of invalid token.

**Pre-Requisite:** Device IO Service is received from the DUT. Serial Port is supported by DUT.

**Test Configuration:** ONVIF Client and DUT

**Test Procedure:**

1. Start an ONVIF Client.

2. Start the DUT.
3. ONVIF Client invokes **GetSerialPortConfigurationOptions** request with parameters
  - SerialPortToken := "OnvifTest123"
4. The DUT returns **env:Sender/ter:InvalidArgVal/ter:InvalidSerialPort** SOAP 1.2 fault.

**Test Result:****PASS –**

- DUT passes all assertions.

**FAIL –**

- The DUT did not send the **env:Sender/ter:InvalidArgVal/ter:InvalidSerialPort** SOAP 1.2 fault message.

## 5.7.8 IO SETSERIALPORTCONFIGURATION COMMAND - INVALID SETTINGS

**Test Case ID:** DEVICEIO-6-1-8**Specification Coverage:** SetSerialPortConfiguration (Device IO Service Specification)**Feature Under Test:** SetSerialPortConfiguration**WSDL Reference:** deviceio.wsdl**Test Purpose:** To verify the behavior of SetSerialPortConfiguration command in case of invalid settings.**Pre-Requisite:** Device IO Service is received from the DUT. Serial Port is supported by DUT.**Test Configuration:** ONVIF Client and DUT**Test Procedure:**

1. Start an ONVIF Client.
2. Start the DUT.
3. ONVIF Client retrieves Serial Ports list by following the procedure mentioned in [Annex A.8](#) with the following input and output parameters

- out *serialPortList* - Serial Ports list
4. For each SerialPort *serialPort* in *serialPortList* repeat the following steps:
    - 4.1. ONVIF Client invokes **GetSerialPortConfiguration** request with parameters
      - SerialPortToken := *serialPort.@token*
    - 4.2. The DUT responds with **GetSerialPortConfigurationResponse** message with parameters:
      - SerialPortConfiguration =: *initialSerialPortConfiguration*
    - 4.3. ONVIF Client invokes **GetSerialPortConfigurationOptions** request with parameters
      - SerialPortToken := *serialPort.@token*
    - 4.4. The DUT responds with **GetSerialPortConfigurationOptionsResponse** message with parameters:
      - SerialPortOptions =: *serialPortOptions*
    - 4.5. ONVIF Client invokes **SetSerialPortConfiguration** request with parameters
      - SerialPortConfiguration.token := *serialPort.@token*
      - SerialPortConfiguration.type := *serialPortConfiguration.type*
      - SerialPortConfiguration.BaudRate := value not from *serialPortOptions.BaudRateList.Items* list
      - SerialPortConfiguration.ParityBit := value not from *serialPortOptions.ParityBitList.Items*list (if possible)
      - SerialPortConfiguration.CharacterLength := value not from *serialPortOptions.CharacterLengthList.Items* list
      - SerialPortConfiguration.StopBit := value not from *serialPortOptions.StopBitList.Items* list
      - ForcePersistence := false
    - 4.6. The DUT returns **env:Sender/ter:InvalidArgVal/ter:ConfigModify** SOAP 1.2 fault.
    - 4.7. ONVIF Client invokes **GetSerialPortConfiguration** request with parameters
      - SerialPortToken := *serialPort.@token*



4.8. The DUT responds with **GetSerialPortConfigurationResponse** message with parameters:

- SerialPortConfiguration =: *serialPortConfiguration*

4.9. If *initialSerialPortConfiguration* is not equal to *serialPortConfiguration*, FAIL the test and skip other steps.

#### Test Result:

##### PASS –

- DUT passes all assertions.

##### FAIL –

- The DUT did not send **GetSerialPortConfigurationResponse** message(s).
- The DUT did not send valid **GetSerialPortConfigurationOptionsResponse** message.
- The DUT did not send the **env:Sender/ter:InvalidArgVal/ter:ConfigModify** SOAP 1.2 fault message.

## 5.8 Video Source

### 5.8.1 IO GET VIDEO SOURCES

**Test Case ID:** DEVICEIO-7-1-1

**Specification Coverage:** GetVideoSources (ONVIF Device IO Service Specification).

**Feature Under Test:** GetVideoSources

**WSDL Reference:** deviceio.wsdl

**Test Purpose:** To verify retrieving supported Video Sources.

**Pre-Requisite:** Device IO Service is received from the DUT. Media2 Service is supported by Device. Media2 Video is supported by Device as indicated by the ProfileCapabilities.ConfigurationsSupported = VideoSource capability.

**Test Configuration:** ONVIF Client and DUT

**Test Procedure:**

1. Start an ONVIF Client.
2. Start the DUT.
3. ONVIF Client retrieves Device IO Service capabilities by following the procedure mentioned in [Annex A.7](#) with the following input and output parameters
  - out *cap* - Device IO Service capabilities
4. ONVIF Client invokes **GetVideoSources** request.
5. The DUT responds with **GetVideoSourcesResponse** with parameters
  - Token list =: *videoSourcesList*
6. If *videoSourcesList* is empty, FAIL the test.
7. If number of items in *videoSourcesList* is not equal to *cap.VideoSources*, FAIL the test and skip other steps.
8. If *videoSourcesList* contains at least two items with the same @token, FAIL the test and skip other steps.

**Test Result:****PASS –**

- DUT passes all assertions.

**FAIL –**

- DUT did not send **GetVideoSourcesResponse** message.

## 5.9 Audio Output

### 5.9.1 IO GET AUDIO OUTPUTS

**Test Case ID:** DEVICEIO-8-1-1

**Specification Coverage:** GetAudioOutputs (ONVIF Device IO Service Specification).

**Feature Under Test:** GetAudioOutputs

**WSDL Reference:** deviceio.wsdl

**Test Purpose:** To verify retrieving supported Audio Outputs.

**Pre-Requirement:** Device IO Service is received from the DUT. Media2 Service is supported by Device. Media2 Audio Output is supported by Device as indicated by the ProfileCapabilities.ConfigurationsSupported = AudioOutput capability.

**Test Configuration:** ONVIF Client and DUT

**Test Procedure:**

1. Start an ONVIF Client.
2. Start the DUT.
3. ONVIF Client retrieves Device IO Service capabilities by following the procedure mentioned in [Annex A.7](#) with the following input and output parameters
  - out *cap* - Device IO Service capabilities
4. ONVIF Client invokes **GetAudioOutputs** request.
5. The DUT responds with **GetAudioOutputsResponse** with parameters
  - Token list =: *audioOutputsList*
6. If *audioOutputsList* is empty, FAIL the test.
7. If number of items in *audioOutputsList* is not equal to *cap.AudioOutputs*, FAIL the test and skip other steps.
8. If *audioOutputsList* contains at least two items with the same @token, FAIL the test and skip other steps.

**Test Result:**

**PASS –**

- DUT passes all assertions.

**FAIL –**

- DUT did not send **GetAudioOutputsResponse** message.

## Annex A Helper Procedures and Additional Notes

### A.1 Action URI's for Event Service Messages

The following Action URI's shall be used for Event Service:

**Table A.1. Action URI's for Event Service Messages**

Message	Action URI of WS-Addressing
Notify	<a href="http://docs.oasis-open.org/wsn/bw-2/NotificationConsumer/Notify">http://docs.oasis-open.org/wsn/bw-2/NotificationConsumer/Notify</a>
SubscribeRequest	<a href="http://docs.oasis-open.org/wsn/bw-2/NotificationProducer/SubscribeRequest">http://docs.oasis-open.org/wsn/bw-2/NotificationProducer/SubscribeRequest</a>
SubscribeResponse	<a href="http://docs.oasis-open.org/wsn/bw-2/NotificationProducer/SubscribeResponse">http://docs.oasis-open.org/wsn/bw-2/NotificationProducer/SubscribeResponse</a>
RenewRequest	<a href="http://docs.oasis-open.org/wsn/bw-2/SubscriptionManager/RenewRequest">http://docs.oasis-open.org/wsn/bw-2/SubscriptionManager/RenewRequest</a>
RenewResponse	<a href="http://docs.oasis-open.org/wsn/bw-2/SubscriptionManager/RenewResponse">http://docs.oasis-open.org/wsn/bw-2/SubscriptionManager/RenewResponse</a>
UnsubscribeRequest	<a href="http://docs.oasis-open.org/wsn/bw-2/SubscriptionManager/UnsubscribeRequest">http://docs.oasis-open.org/wsn/bw-2/SubscriptionManager/UnsubscribeRequest</a>
UnsubscribeResponse	<a href="http://docs.oasis-open.org/wsn/bw-2/SubscriptionManager/UnsubscribeResponse">http://docs.oasis-open.org/wsn/bw-2/SubscriptionManager/UnsubscribeResponse</a>
GetEventPropertiesRequest	<a href="http://www.onvif.org/ver10/events/wsd/EventPortType/GetEventPropertiesRequest">http://www.onvif.org/ver10/events/wsd/EventPortType/GetEventPropertiesRequest</a>
GetEventPropertiesResponse	<a href="http://www.onvif.org/ver10/events/wsd/EventPortType/GetEventPropertiesResponse">http://www.onvif.org/ver10/events/wsd/EventPortType/GetEventPropertiesResponse</a>
CreatePullPointSubscriptionRequest	<a href="http://www.onvif.org/ver10/events/wsd/EventPortType/CreatePullPointSubscriptionRequest">http://www.onvif.org/ver10/events/wsd/EventPortType/CreatePullPointSubscriptionRequest</a>
CreatePullPointSubscriptionResponse	<a href="http://www.onvif.org/ver10/events/wsd/EventPortType/CreatePullPointSubscriptionResponse">http://www.onvif.org/ver10/events/wsd/EventPortType/CreatePullPointSubscriptionResponse</a>
PullMessagesRequest	<a href="http://www.onvif.org/ver10/events/wsd/PullPointSubscription/PullMessagesRequest">http://www.onvif.org/ver10/events/wsd/PullPointSubscription/PullMessagesRequest</a>
PullMessagesResponse	<a href="http://www.onvif.org/ver10/events/wsd/PullPointSubscription/PullMessagesResponse">http://www.onvif.org/ver10/events/wsd/PullPointSubscription/PullMessagesResponse</a>

Message	Action URI of WS-Addressing
SetSynchronizationPointRequest	http://www.onvif.org/ver10/events/wsd/ PullPointSubscription/ SetSynchronizationPointRequest
SetSynchronizationPointResponse	http://www.onvif.org/ver10/events/wsd/ PullPointSubscription/ SetSynchronizationPointResponse
GetServiceCapabilitiesResponse	http://www.onvif.org/ver10/events/wsd/ EventPortType/GetServiceCapabilities
GetServiceCapabilitiesRequest	http://www.onvif.org/ver10/events/wsd/ EventPortType/GetServiceCapabilitiesRequest
SeekRequest	http://www.onvif.org/ver10/events/wsd/ PullPointSubscription/SeekRequest
SeekResponse	http://www.onvif.org/ver10/events/wsd/ PullPointSubscription/SeekResponse
All faults	http://www.w3.org/2005/08/addressing/soap/fault

## A.2 Get Relay Outputs List

**Name:** HelperGetRelayOutputsList

**Procedure Purpose:** Helper procedure to retrieve Relay Outputs List.

**Pre-requisite:** DeviceIO Service is received from the DUT. DUT supports Relay Outputs.

**Input:** None.

**Returns:** Relay Outputs list (*relayOutputsList*).

**Procedure:**

1. ONVIF Client invokes **GetRelayOutputs** request
2. The DUT sends the **GetRelayOutputsResponse** message with parameters
  - RelayOutputs list =: *relayOutputsList*

**Procedure Result:**

**PASS –**

- DUT passes all assertions.

**FAIL –**

- The DUT did not send **GetRelayOutputsResponse** message

## A.3 Select Relay Output with supporting of required Relay Mode and Idle State

**Name:** HelperSelectRelayOutputWithRequiredMode

**Procedure Purpose:** Helper procedure to find RelayOutput which supports required Relay Mode and Idle State.

**Pre-requisite:** Device IO Service is received from the DUT. Relay Outputs is supported by DUT. Relay Output Options is supported by DUT.

**Input:** Relay Mode (*relayMode*). Idle State (*idleState*).

**Returns:** Relay Output (*relayOutput*) with supporting of required Relay Mode and Idle State. Relay Output Options (*relayOutputOptions*).

**Procedure:**

1. If there are no Relay Outputs which support of RelayMode = *relayMode* and IdleState = *idleState* for this Relay Mode, FAIL the test and skip other steps.
2. Set *relayOutputToken* := [token of Relay Output which supports RelayMode = *relayMode* and IdleState = *idleState* for this Relay Mode].
3. ONVIF Client invokes **GetRelayOutputOptions** request with parameters
  - RelayOutputToken := *relayOutputToken*
4. The DUT responds with **GetRelayOutputOptionsResponse** message with parameters
  - RelayOutputOptions list := *options*
5. If *options* is empty, FAIL the test and skip other steps.
6. Set *relayOutputOptions* := *options*[0].
7. ONVIF Client invokes **GetRelayOutputs** request.
8. The DUT sends the **GetRelayOutputsResponse** message with parameters
  - RelayOutputs list =: *relayOutputsList*
9. If *relayOutputsList* does not contain RelayOutputs item with token = *relayOutputToken*, FAIL the test and skip other steps.

10. Set *relayOutput* := *relayOutputsList*[token = *relayOutputToken*].

**Procedure Result:**

**PASS –**

- DUT passes all assertions.

**FAIL –**

- The DUT did not send **GetRelayOutputOptionsResponse** message
- The DUT did not send **GetRelayOutputsResponse** message

**Note:** To check condition at step 1 and selection criteria at step 2 the feature discovery procedure results are used.

## A.4 Create Pull Point Subscription

**Name:** HelperCreatePullPointSubscription

**Procedure Purpose:** Helper procedure to create PullPoint Subscription with specified Topic.

**Pre-requisite:** Event Service is received from the DUT.

**Input:** Notification Topic (*topic*).

**Returns:** Subscription reference (*s*), current time for the DUT (*ct*), subscription termination time (*tt*).

**Procedure:**

1. ONVIF Client invokes **CreatePullPointSubscription** request with parameters
  - Filter.TopicExpression := *topic*
  - Filter.TopicExpression.@Dialect := "http://www.onvif.org/ver10/tev/topicExpression/ConcreteSet"
2. The DUT responds with **CreatePullPointSubscriptionResponse** message with parameters
  - SubscriptionReference =: *s*
  - CurrentTime =: *ct*
  - TerminationTime =: *tt*

**Procedure Result:**

**PASS –**

- DUT passes all assertions.

**FAIL –**

- The DUT did not send **CreatePullPointSubscriptionResponse** message

## A.5 Delete Subscription

**Name:** HelperDeleteSubscription

**Procedure Purpose:** Helper procedure to delete subscription.

**Pre-requisite:** Event Service is received from the DUT.

**Input:** Subscription reference (s).

**Returns:** None.

**Procedure:**

1. ONVIF Client invokes **Unsubscribe** request to the subscription endpoint s.
2. The DUT responds with **UnsubscribeResponse** message.

**Procedure Result:**

**PASS –**

- DUT passes all assertions.

**FAIL –**

- The DUT did not send **UnsubscribeResponse** message.

## A.6 Restore Relay Output settings

**Name:** HelperRestoreRelayOutput

**Procedure Purpose:** Helper procedure to restore Relay Output settings.

**Pre-requisite:** DeviceIO Service is received from the DUT. DUT supports Relay Outputs.

**Input:** Relay Output (*initialRelayOutput*).

**Returns:** None.



**Procedure:**

1. ONVIF Client invokes **SetRelayOutputSettings** request with parameters
  - RelayOutput.@token := *initialRelayOutput.@token*
  - RelayOutput.Properties.Mode := *initialRelayOutput.Properties.Mode*
  - RelayOutput.Properties.DelayTime := *initialRelayOutput.Properties.DelayTime*
  - RelayOutput.Properties.IdleState := *initialRelayOutput.Properties.IdleState*
2. The DUT responds with **SetRelayOutputSettingsResponse** message.

**Procedure Result:****PASS –**

- DUT passes all assertions.

**FAIL –**

- The DUT did not send **SetRelayOutputSettingsResponse** message

## A.7 Get Device IO Service Capabilities

**Name:** HelperGetServiceCapabilities

**Procedure Purpose:** Helper procedure to get Device IO Service Capabilities from the DUT.

**Pre-requisite:** Device IO Service is received from the DUT.

**Input:** None

**Returns:** The service capabilities (*cap*).

**Procedure:**

1. ONVIF Client invokes **GetServiceCapabilities** request.
2. The DUT responds with **GetServiceCapabilitiesResponse** message with parameters
  - Capabilities =: *cap*

**Procedure Result:****PASS –**

- DUT passes all assertions.

**FAIL –**

- DUT did not send **GetServiceCapabilitiesResponse** message.

## A.8 Get Serial Ports List

**Name:** HelperGetSerialPortsList

**Procedure Purpose:** Helper procedure to retrieve Serial Ports List.

**Pre-requisite:** DeviceIO Service is received from the DUT. Serial Port is supported by DUT.

**Input:** None.

**Returns:** Serial Ports list (*serialPortList*).

**Procedure:**

1. ONVIF Client invokes **GetSerialPorts** request.
2. The DUT responds with **GetSerialPortsResponse** message with parameters:
  - SerialPort list =: *serialPortList*
3. If *serialPortList* is empty, FAIL the test and skip other steps.

**Procedure Result:**

**PASS –**

- DUT passes all assertions.

**FAIL –**

- The DUT did not send **GetSerialPortsResponse** message.

## A.9 Retrieve Relay Output Trigger Event by PullPoint

**Name:** HelperPullTriggerRelay

**Procedure Purpose:** Helper procedure to retrieve and check tns1:Device/Trigger/Relay event with PullMessages.

**Pre-requisite:** Event Service is received from the DUT.

**Input:** Subscription reference (*s*). Current time for the DUT (*ct*). Subscription termination time (*tt*). Relay Output token (*relayOutputToken*). Expected Property Operation (*propertyOperation*).

**Returns:** Current Logical State (*logicalState*).

**Procedure:**

1. Until *operationDelay* timeout expires, repeat the following steps:
  - 1.1. ONVIF Client waits for time  $t := \min\{(tt-ct)/2, 1 \text{ second}\}$ .
  - 1.2. ONVIF Client invokes **PullMessages** to the subscription endpoint *s* with parameters
    - Timeout := PT60S
    - MessageLimit := 1
  - 1.3. The DUT responds with **PullMessagesResponse** message with parameters
    - CurrentTime =: *ct*
    - TerminationTime =: *tt*
    - NotificationMessage list =: *notificationMessageList*
  - 1.4. If *notificationMessageList* is not empty and contains item with Message.Source.SimpleItem with Name = "RelayToken" and Value = *relayOutputToken*:
    - 1.4.1. Set *notificationMessage* := [NotificationMessage from *notificationMessageList* which contains item with Message.Source.SimpleItem with Name = "RelayToken" and Value = *relayOutputToken*].
    - 1.4.2. Go to step 2.
  - 1.5. If *operationDelay* timeout expires for step 1 without Notification with Token source simple item equal to *profileToken*, FAIL the test and skip other steps.
2. If *notificationMessage*.Message.PropertyOperation != *propertyOperation*, FAIL the test, restore the DUT state, and skip other steps.
3. If *notificationMessage*.Message.Data does not contain SimpleItem with Name = "LogicalState" and Value of tt:RelayLogicalState type, FAIL the test, restore the DUT state, and skip other steps.
4. Set *logicalState* := [value of Value attribute from *notificationMessage*.Message.Data.SimpleItem[Name = "LogicalState"]].

**Procedure Result:**

**PASS –**

- DUT passes all assertions.

**FAIL –**

- DUT did not send **PullMessagesResponse** message.

**Note:** *operationDelay* will be taken from Operation Delay field of ONVIF Device Test Tool.

## A.10 Move Relay Output to Monostable Mode with Inactive Logical State

**Name:** HelperSetRelayOutputToMonostableInactive

**Procedure Purpose:** Helper procedure to set Relay Output in Monostable Mode and move it in Inactive Logical State.

**Pre-requisite:** Event Service is received from the DUT. DeviceIO Service is received from the DUT.

**Input:** Relay Output token (*relayOutputToken*). Required Idle State (*idleState*). Required DelayTime *delayTime*.

**Returns:** None.

**Procedure:**

1. ONVIF Client invokes **SetRelayOutputSettings** request with parameters
  - RelayOutput.@token := *relayOutputToken*
  - RelayOutput.Properties.Mode := Monostable
  - RelayOutput.Properties.DelayTime := *delayTime*
  - RelayOutput.Properties.IdleState := *idleState*
2. The DUT responds with **SetRelayOutputSettingsResponse** message.
3. ONVIF Client creates PullPoint subscription for the specified topic by following the procedure mentioned in [Annex A.4](#) with the following input and output parameters
  - in **tns1:Device/Trigger/Relay** - Notification Topic
  - out *s* - Subscription Reference
  - out *currentTime* - current time for the DUT
  - out *terminationTime* - Subscription Termination time

4. ONVIF Client retrieves current logical state by **tns1:Device/Trigger/Relay** event for the specified Relay Output by following the procedure mentioned in [Annex A.9](#) with the following input and output parameters
  - in *s* - Subscription reference
  - in *currentTime* - current time for the DUT
  - in *terminationTime* - subscription termination time
  - in *relayOutputToken* - Relay Output token
  - in *Initialized* - Expected Property Operation
  - out *currentLogicalState* - Current Logical State
5. If *currentLogicalState* = inactive, go to step 10.
6. ONVIF Client invokes **SetRelayOutputState** request with parameters
  - *RelayOutputToken* := *relayOutputToken*
  - *LogicalState* := inactive
7. The DUT responds with **SetRelayOutputStateResponse** message.
8. ONVIF Client retrieves changed logical state by **tns1:Device/Trigger/Relay** event for the specified Relay Output by following the procedure mentioned in [Annex A.9](#) with the following input and output parameters
  - in *s* - Subscription reference
  - in *currentTime* - current time for the DUT
  - in *terminationTime* - subscription termination time
  - in *relayOutputToken* - Relay Output token
  - in *Changed* - Expected Property Operation
  - out *updatedLogicalState* - Updated Logical State
9. If *updatedLogicalState* != inactive, FAIL the test, restore the DUT state, and skip other steps.
10. ONVIF Client deletes PullPoint subscription by following the procedure mentioned in [Annex A.5](#) with the following input and output parameters
  - in *s* - Subscription reference

**Procedure Result:**

**PASS –**

- DUT passes all assertions.

**FAIL –**

- DUT did not send **PullMessagesResponse** message.

**Note:** *operationDelay* will be taken from Operation Delay field of ONVIF Device Test Tool.